



# Service Manual



WD-62827

DLP PROJECTION HDTV

V29 / V30 / V30+ / V31 CHASSIS

V29 Chassis

WD-52627

WD-62627

V30 Chassis

WD-52628

WD-62628

WD-73727

V30+ Chassis

WD-62827

WD-73827

V31 Chassis

WD-62927

WD-73927

**CAUTION:**

Before servicing this chassis, it is important that the service person read the "SAFETY PRECAUTIONS" and "PRODUCT SAFETY NOTICE" contained in this manual.

**SPECIFICATIONS**

- |                                |  |                      |   |
|--------------------------------|--|----------------------|---|
| • <b>Power Input</b>           | : AC 120V, 60Hz  | • <b>Input Level</b> | : VIDEO IN JACK (RCA Type)<br>1.0Vp-p 75Ω unbalanced  |
| • <b>Power Usage</b>           | : See table on page 5  |                      | : AUDIO IN JACK (RCA Type)<br>-4.7dBm 43kΩ unbalanced   |
| • <b>Light Engine</b>          | : DLP™ (1920 x 1080 pixels)  |                      | : S-VIDEO IN JACK<br>(Y/C separate type)<br>Y:1.0 Vp-p C:0.286Vp-p(BURST)<br>75Ω unbalanced                                       |
| • <b>Light Source</b>          | : 120W [V29,V30(52" & 62")]<br>: 150W [V30(73"),V30+,V31]                    |                      | : COMP / Y, Cr, Cb (RCA Type)<br>Y: 1.0 Vp-p Cr, Cb: 700mVp-p   |
| • <b>Channel Range</b>         | : Air VHF - 2~13, UHF - 14~69<br>Analog Cable - 1~25<br>Digital Cable - 1~35 |                      | • <b>Output Level</b>   |
| • <b>Antenna Input</b>         | : 2 RF 75Ω unbalanced  |                      | : VIDEO OUT JACK (RCA Type)<br>1.0Vp-p 75Ω unbalanced   |
| • <b>Tuning (V29,V30)</b>      | : 1 NTSC/ATSC/QAM<br>1 Out of Band for CableCARD™<br>1 NTSC for PIP          |                      | : AUDIO OUT JACK (RCA Type)<br>-4.7dBm 4.7kΩ unbalanced   |
| • <b>Tuning (V30+, V31)</b>    | : 2 NTSC/ATSC/QAM<br>1 Out of Band for CableCARD™<br>2 NTSC for PIP          |                      | • <b>Digital</b>  |
| • <b>Cabinet Dimensions</b>    | : See Table on page 5  |                      | : IEEE-1394 I/O Jacks<br>: Digital Audio Output<br>(RCA Type)<br>: HDMI™<br>: MonitorLink™ RS-232 Control<br>: Memory Card Reader |
| • <b>Weight</b>                | : See table on page 5  |                      | • <b>No Solder</b>  |
| • <b>Speakers (8 Ohms 10W)</b> | : Two 1.5" Round<br>Two 5.5"x2.2" Oval                                       |                      | : Lead-Free solder PWBs   |

- Design specifications are subject to change without notice.

## MITSUBISHI DIGITAL ELECTRONICS AMERICA, INC.

9351 Jeronimo Road, Irvine, CA 92618-1904

Copyright © 2005 Mitsubishi Digital Electronics America, Inc.

All Rights Reserved



## CONTENTS

<b>INTRODUCTION .....</b>	<b>5</b>
Model Dimensions and Weight Specifications .....	5
<b>PRODUCT SAFETY NOTICE .....</b>	<b>5</b>
<b>SAFETY PRECAUTIONS .....</b>	<b>6</b>
<b>DISASSEMBLY .....</b>	<b>7</b>
Front Disassembly (WD-52627 / WD-52628 / WD-62627 / WD-62628) .....	7
Front Disassembly (WD-62827) .....	8
Front Disassembly (WD-62927) .....	11
Front Disassembly (WD-73727 / WD-73827) .....	15
Front Disassembly (WD-73927) .....	17
Rear Disassembly .....	19
Chassis Disassembly & Accessing PWBs .....	20
Out of Cabinet Chassis Operation .....	26
Optical Engine Replacement .....	29
<b>DIAMOND SHIELD™ Removal .....</b>	<b>34</b>
<b>SERVICING THE LENTICULAR LENS AND FRESNEL SCREEN .....</b>	<b>35</b>
Removal of the Lenticular Screen and Fresnel Lens .....	35
Installation of the Lenticular Screen and Fresnel Lens .....	36
<b>ADJUSTMENTS .....</b>	<b>37</b>
Option Menu & Defaults .....	37
LED Indicator Diagnostics .....	38
Error Codes Operational Check .....	39
Remote Operational Mode .....	40
Service Adjustment Mode .....	40
Service Adjustment Mode Operation .....	40
Resetting Data to factory values and Transferring data .....	41
Optical Engine Adjustment .....	42
Test Signal activation .....	42
Preliminary .....	42
Locking Screw .....	42
Trapezoidal Distortion Adjustment .....	43
Rotation Adjustment .....	43
Horizontal & Vertical Position .....	44
<b>USING LEAD FREE SOLDER .....</b>	<b>45</b>
<b>CHIP PARTS REPLACEMENT .....</b>	<b>46</b>
<b>REPLACEMENT PARTS .....</b>	<b>47</b>
Parts Ordering .....	47
Critical and Warranty Parts Designation .....	47
Parts Tolerance Codes .....	47
Quick Reference List .....	48
<b>SERVICE PARTS LIST .....</b>	<b>49</b>
<b>SCREEN ASSEMBLY PARTS LIST .....</b>	<b>60</b>
WD-52627 / WD-52628 / WD-62627 / WD-62628 .....	60
WD-62827 / WD-62927 .....	71
WD-73727 / WD-73827 / WD-73927 .....	62

**CIRCUITRY BLOCK DIAGRAMS ..... 63**

- Main Power Supply ..... 63
- Lamp Ballast DC Supply ..... 64
- Fans Power Supply ..... 64
- Optical Engine Power Supply ..... 65
- HDD Power Supply ((V30+ & V31 Only) ..... 65
- Analog Video Signal Path ..... 66
- Digital Video Signal Path ..... 67
- HDD Record Signal Path ..... 68
- Sound Signal Path ..... 69
- Command Input Circuitry ..... 70
- Serial Data Control Lines ..... 70
- Lamp Control Circuitry ..... 71
- Lamp, Engine and Fan's Protect circuitry ..... 72
- TV Guide On Screen® ..... 72

**SCHEMATIC DIAGRAMS ..... ..**

## INTRODUCTION

This service manual provides service instructions for DLP Projection TV Models and Chassis:

### Dimensions/Weight

MODEL	CHASSIS	HEIGHT	WIDTH	DEPTH	WEIGHT	POWER USAGE
<b>WD-52627</b>	V29	34 in.	49.6 in.	18.6 in.	121 lbs.	295W
<b>WD-52628</b>	V30	"	"	"	"	"
<b>WD-62627</b>	V29	40.5 in.	58.3 in.	20.3 in.	133 lbs.	"
<b>WD-62628</b>	V30	"	"	"	"	"
<b>WD-62827</b>	V30+	"	60.3 in.	"	"	310W
<b>WD-62927</b>	V31	"	"	"	"	330W
<b>WD-73727</b>	V30	44.8 in.	69.9 in.	21.5 in.	165 lbs.	335W
<b>WD-73827</b>	V30+	"	"	"	"	350W
<b>WD-73927</b>	V31	"	69.8 in.	"	"	"

This service manual includes:

1. Assembly and disassembly instructions for the front and rear cabinet components.
2. Servicing of the Lenticular Screen and Fresnel Lens.
3. Servicing down to major components, chassis, PWBs, Light Engine, Lamp Ballast, etc..
4. Electrical adjustments.
5. Optical Adjustments.
6. Lead Free Soldering.
7. Chip parts replacement procedures.
8. Simplified circuit path diagrams.

The parts list section of this service manual includes:

1. Cabinet and screen parts.
2. Electrical parts.

Block diagrams of the above listed models are included in this service manual for better understanding of the circuitry.

## PRODUCT SAFETY NOTICE

Many electrical and mechanical parts in television receivers have special safety related characteristics. These characteristics are often not evident from visual inspection nor can the protection afforded by them necessarily be obtained by using replacement components rated for higher voltage, wattage, etc.

Replacement parts which have special safety characteristics are identified in this service manual.

Electrical components having such features are identified by shading on the schematic diagram and by bold type in the parts list of this service manual. **Therefore, the replacement for any safety part should be identical in value and characteristics.**



***Solder***

The PWBs used in the V29, V30, V30+ and V31 chassis are constructed using Lead-Free solder. **When servicing use only recommended Lead-Free solder (refer to page 45).**

CableCARD is a trademark of Cable Television Laboratories, Inc.

TV Guide On Screen is a registered trademark of Gemstar Development Corp.

HDMI is a trademark of HDMI Licensing, LLC.

Digital Light Processing, Digital Micromirror Device and DLP are trademarks of Texas Instruments.

## SAFETY PRECAUTIONS

**NOTICE:** Observe all cautions and safety related notes located inside the receiver cabinet and on the receiver chassis.

**WARNING:**

1. Operation of this receiver outside the cabinet or with the cover removed presents a shock hazard from the receiver's power supplies. Work on the receiver should not be attempted by anyone who is not thoroughly familiar with the precautions necessary when working on high voltage equipment.
2. When service is required, observe the original lead dress. Extra precaution should be taken to assure correct lead dress in the high voltage area. Where a short-circuit has occurred, replace those components that indicate evidence of overheating.

**WARNING ... RISK OF EYE INJURY**  
**Do not look into the light source, lens or mirror when operating the TV**

**Leakage current check**

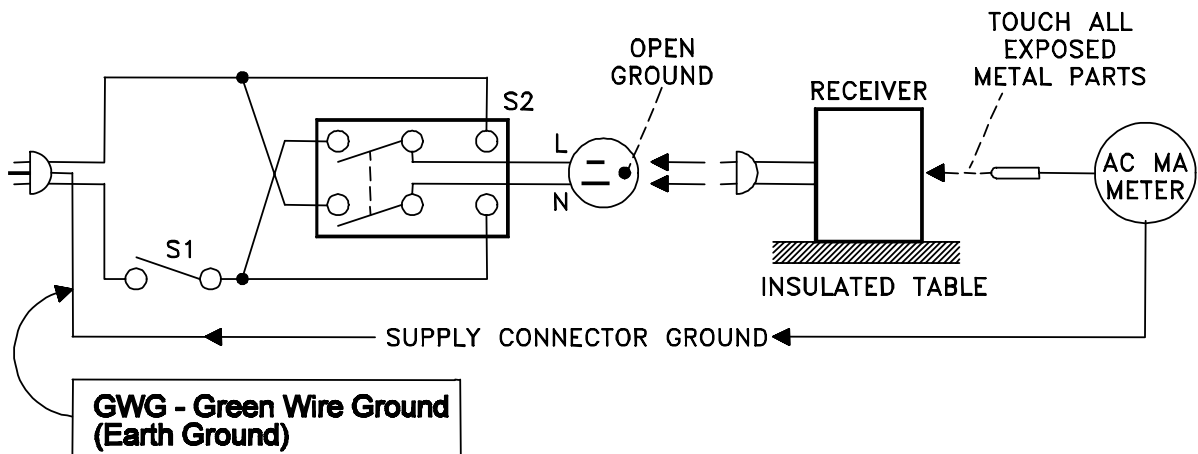
Before returning the receiver to the customer, it is recommended that leakage current be measured according to the following methods.

*1. Cold Check*

With the alternating current (AC) plug removed from the AC source, place a jumper across the two AC plug prongs. Connect one lead of an ohm meter to the AC plug and touch the other lead to each exposed metal part (i.e. antennas, handle bracket, metal cabinet, screw heads, metal overlay, control shafts, etc.), particularly any exposed metal part that has a return path to the chassis. The resistance of the exposed metal parts having a return path to the chassis **should be a minimum of 1Meg Ohm**. Any resistance below this value indicates an abnormal condition and requires corrective action.

*2. Hot Check ...Use the circuit shown below to perform the hot check test.*

1. Keep switch S1 open and connect the receiver to the measuring circuit. Immediately after connection, and with the switching devices of the receiver in their operating positions, measure the leakage current for both positions of switch S2.
2. Close switch S1, energizing the receiver. Immediately after closing switch S1, and with the switching devices of the receiver in their operating positions, measure the leakage current for both positions of switch S2. Repeat the current measurements of items 1 and 2 after the receiver has reached thermal stabilization. **The leakage current must not exceed 0.5 milliampere (mA).**



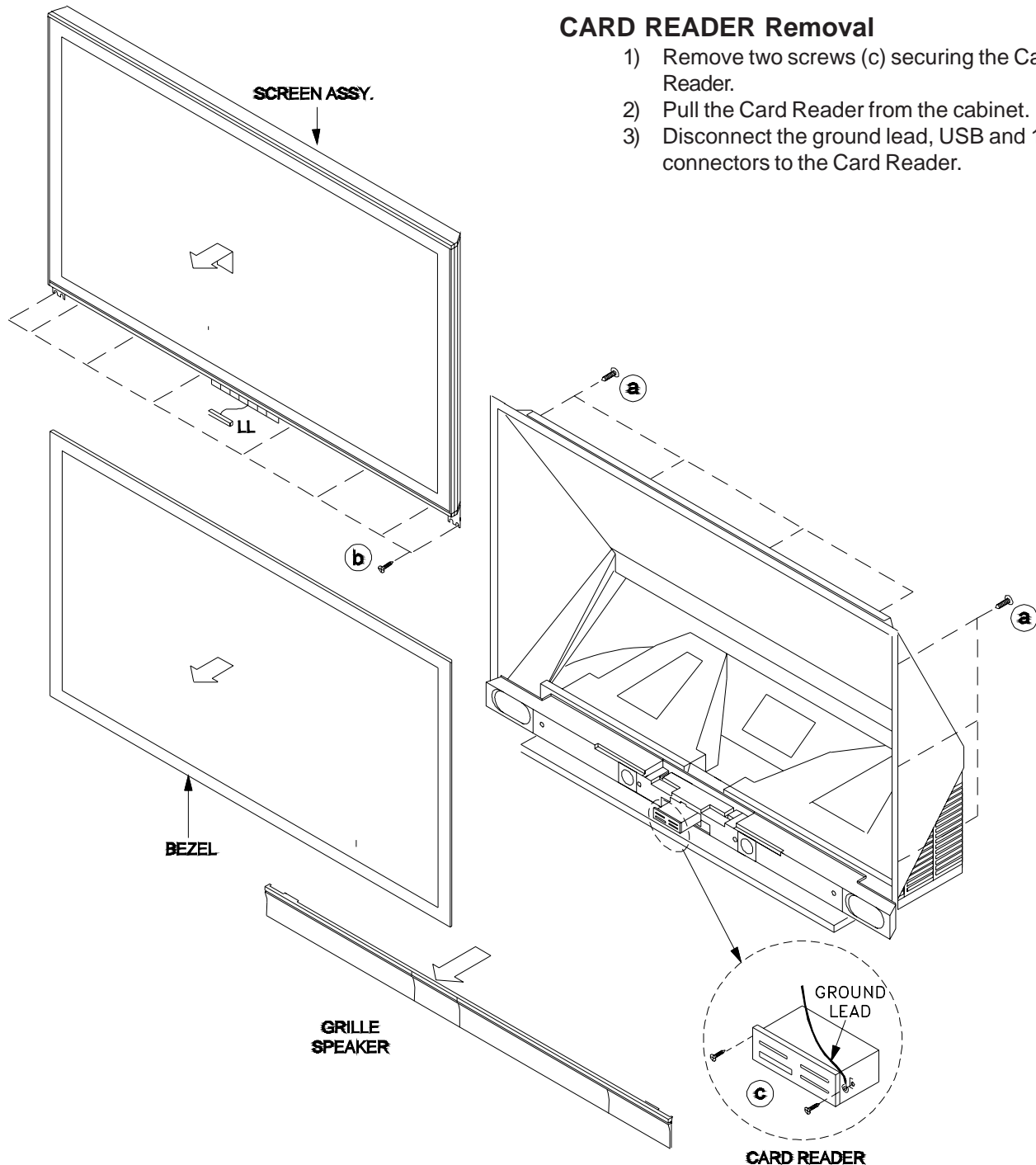
## **CABINET FRONT DISASSEMBLY** **(WD-52627 / WD-52628 / WD-62627 / WD-62628)**

### **SPEAKER GRILLE & BEZEL Removal**

- 1) Pull the SPEAKER-GRILLE away from the cabinet to remove.
- 2) Pull the BEZEL from the cabinet.

### **SCREEN-ASSY Removal**

- 1) Remove 10 screws (a) from the upper cabinet rear cover (3 screws on each side and 4 screws across the top).
- 2) Remove screws (b) along the bottom of the SCREEN-ASSY (8 screws on 52 inch models, and 10 screws on 62 inch models),
- 3) Unplug the LL connector to the front CONTROL-PANEL.
- 4) Lift the SCREEN-ASSY up slightly and then pull away from the cabinet.



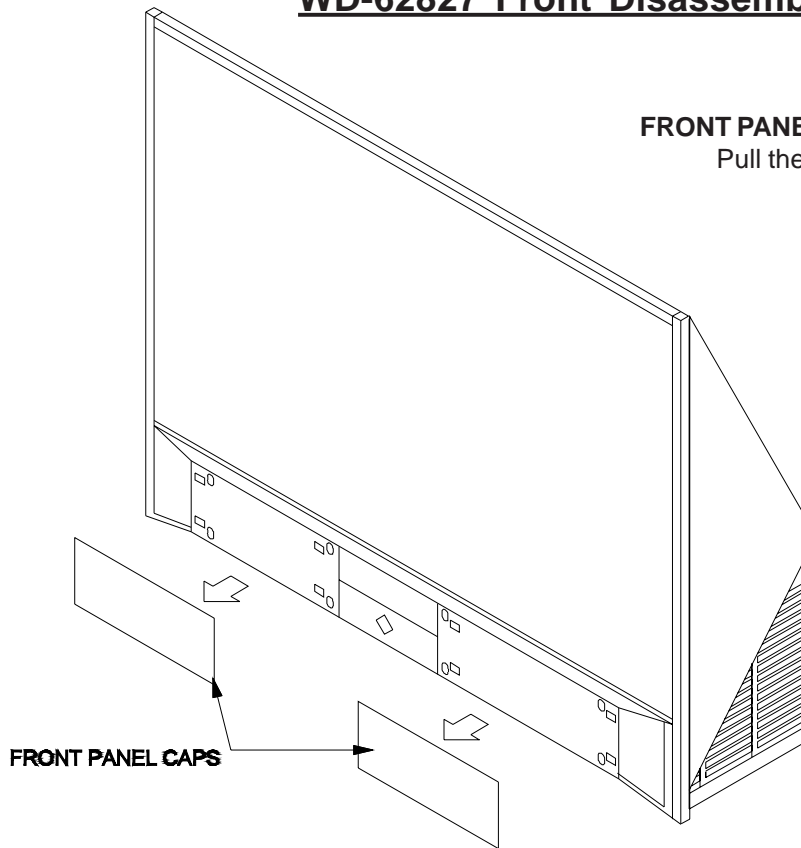
### **CARD READER Removal**

- 1) Remove two screws (c) securing the Card Reader.
- 2) Pull the Card Reader from the cabinet.
- 3) Disconnect the ground lead, USB and 1394 connectors to the Card Reader.

## WD-62827 Front Disassembly

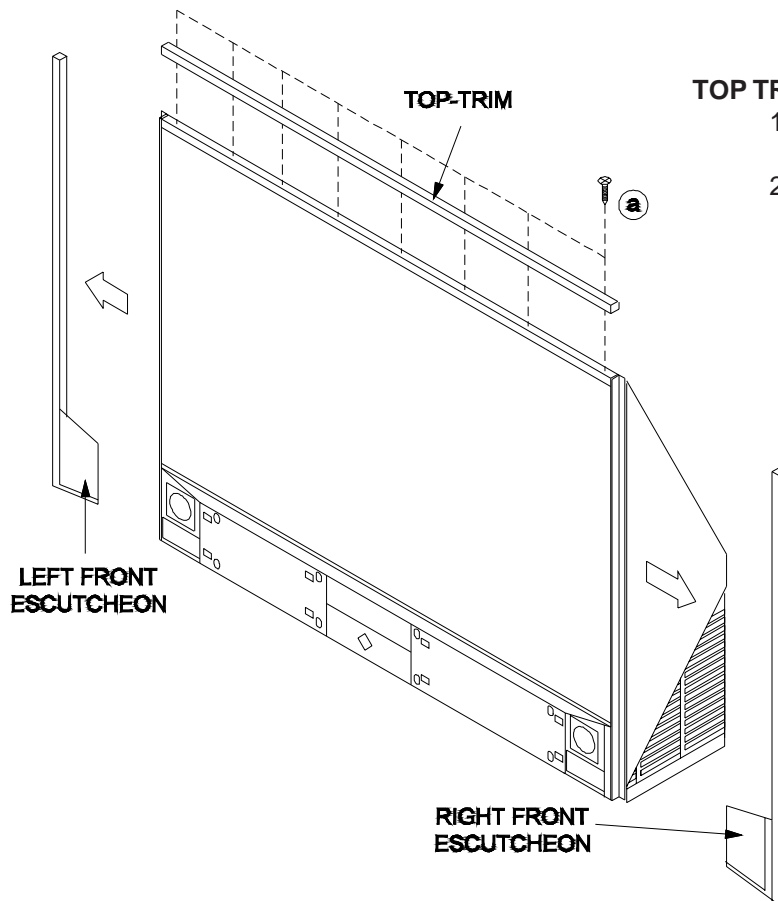
### FRONT PANEL CAPS Removal

Pull the FRONT PANEL CAPS from the unit.



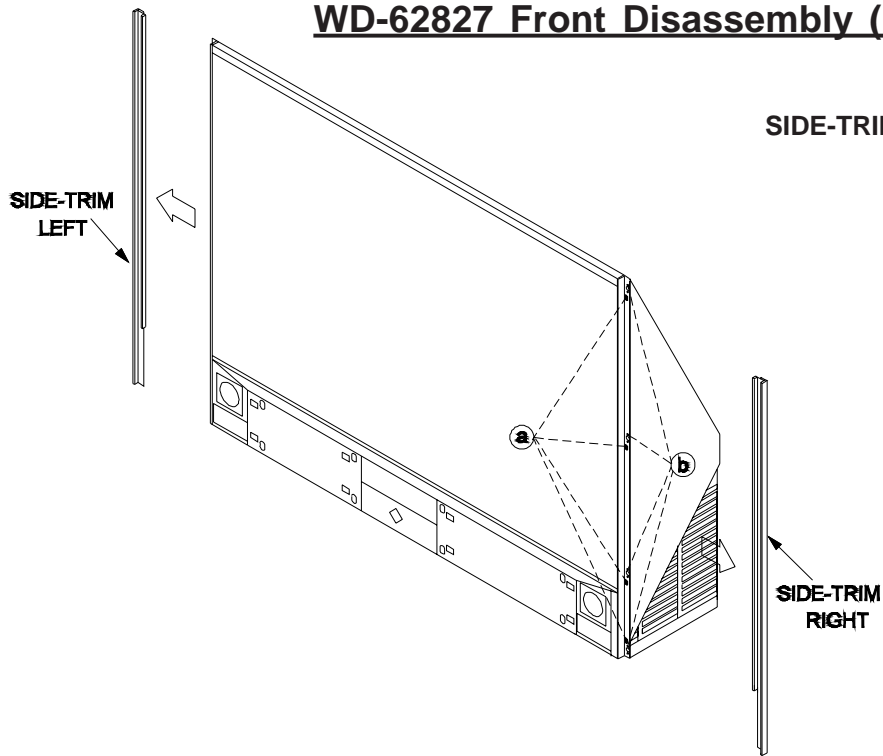
### TOP TRIM and FRONT ESCUTCHEON Removal

- 1) Remove screw (a) to remove the TOP TRIM.
- 2) Pull off the FRONT-ESCUTCHEONS.





## WD-62827 Front Disassembly (continued)

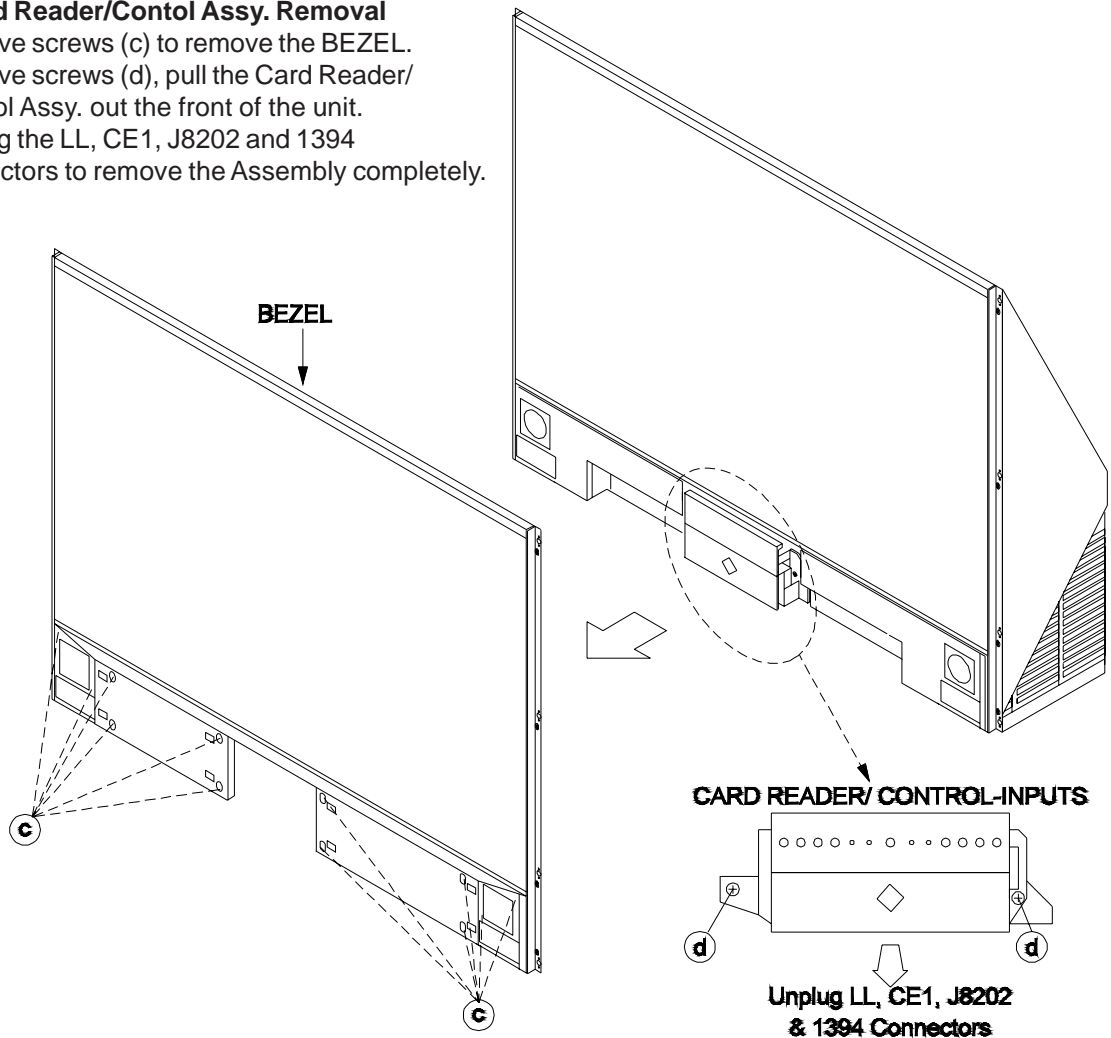


### SIDE-TRIM Removal

- 1) Remove screws (a) and (b) on each side of the unit.
- 2) Pull off the SIDE-TRIM on each side.

### BEZEL and Card Reader/Contol Assy. Removal

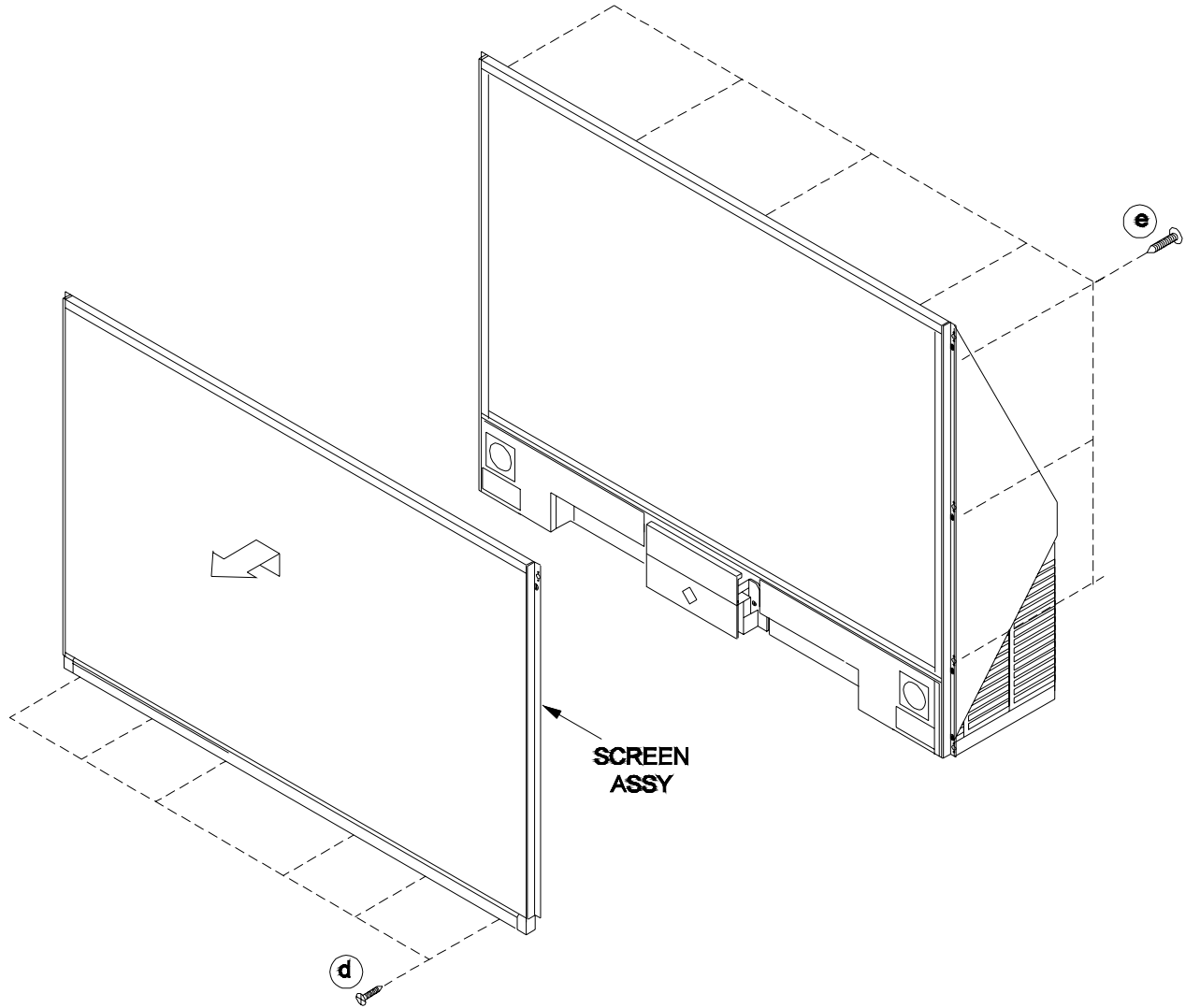
- 1) Remove screws (c) to remove the BEZEL.
- 2) Remove screws (d), pull the Card Reader/Control Assy. out the front of the unit.
- 3) Unplug the LL, CE1, J8202 and 1394 connectors to remove the Assembly completely.



## WD-62827 Front Disassembly (continued)

### SCREEN ASSY Removal

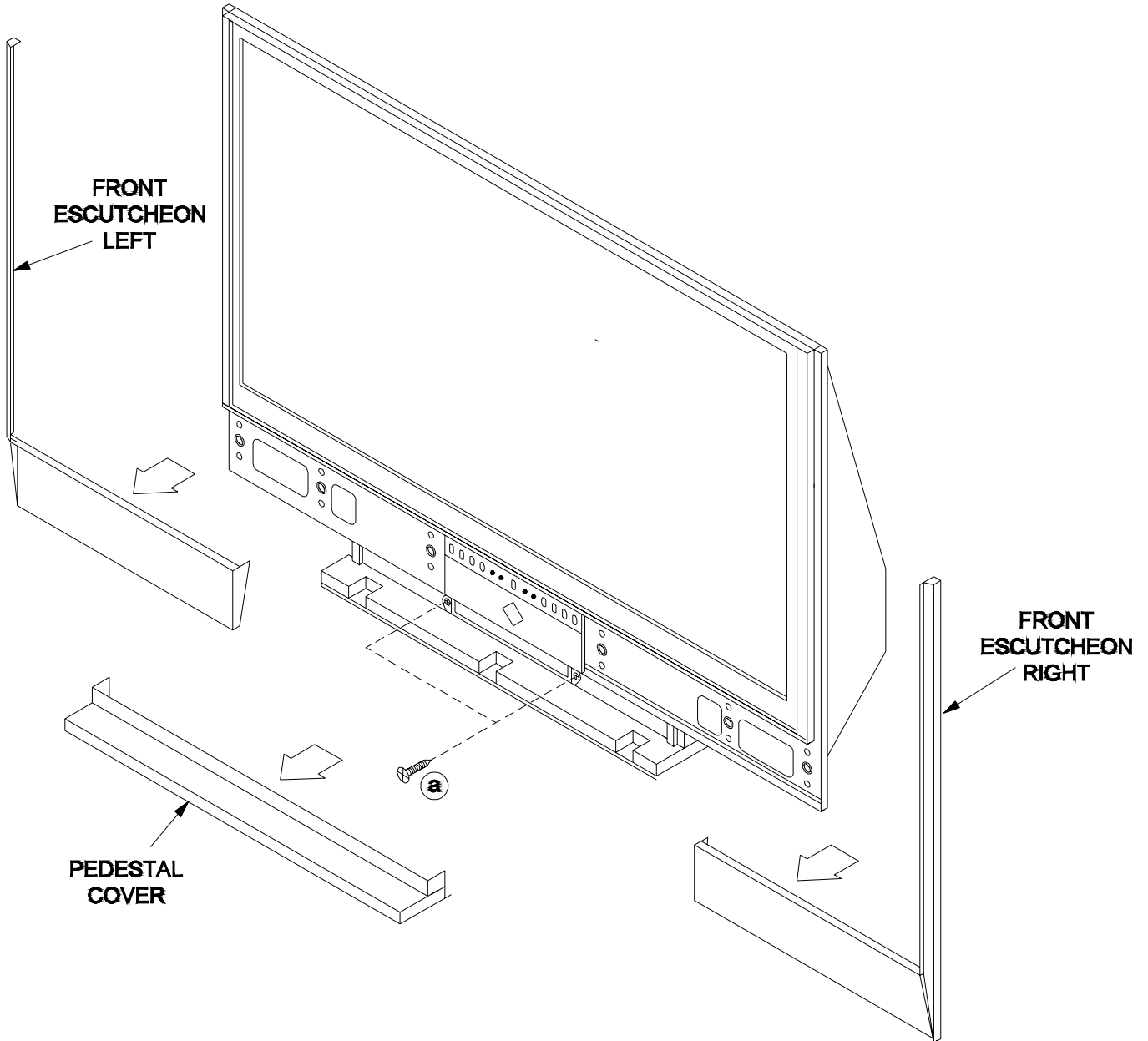
- 1) Remove screws (e) from the top and sides of the upper rear cover.
- 2) Remove screws (d) from the bottom of the SCREEN ASSY.
- 3) Lift the SCREEN ASSY up slightly and pull away from the cabinet.



## WD-62927 Front Disassembly

### FRONT ESCUTCHEONS, CARD READER/CONTROL Assy and PEDESTAL COVER Removal

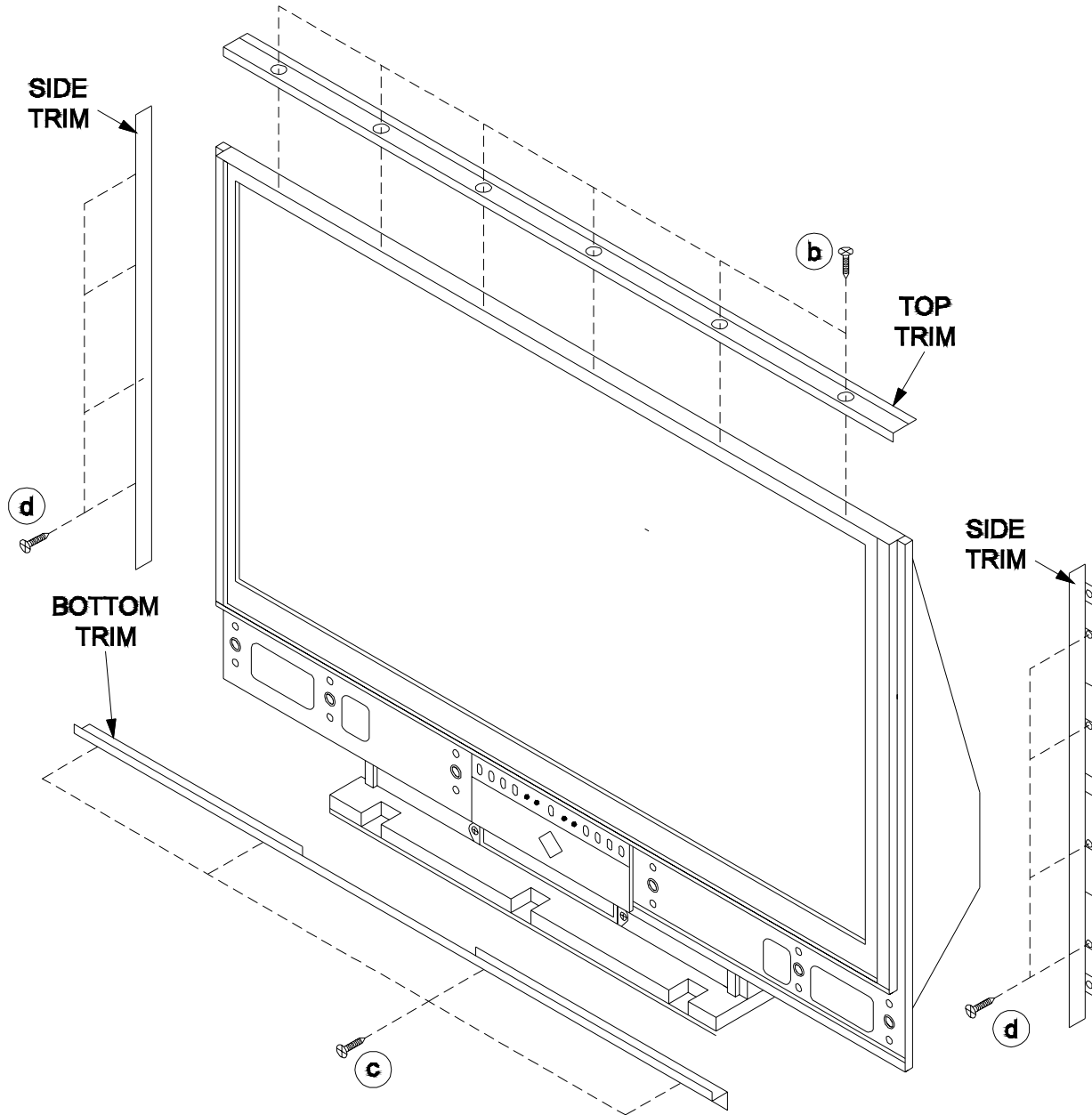
- 1) Pull the Right and Left Front Escutcheons from the cabinet.
- 2) Pull the Pedestal Cover forward to remove.
- 3) Remove screw (a) to remove the Card Reader/Control Assembly from the front.  
(To remove the assembly completely unplug the LL, CE1 J8202 and 1394 connectors.)



## WD-62927 Front Disassembly (continued)

### TOP, BOTTOM and SIDES TRIM Removal

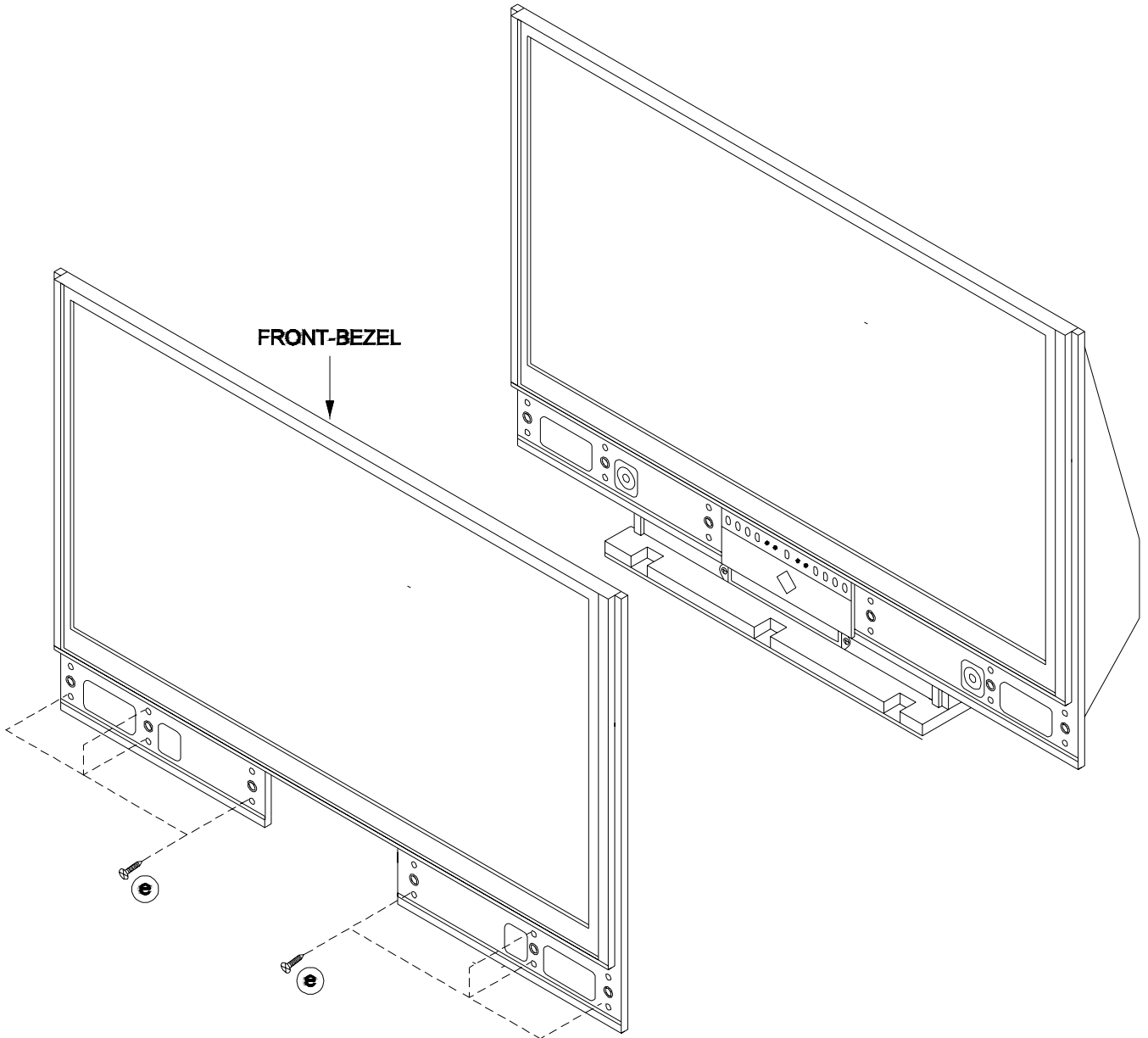
- 1) Remove screws (b) to remove the Top Trim.
- 2) Remove screws (c) to remove the Bottom Trim.
- 3) Remove screws (d) on both sides to remove the Side Trim



## WD-62927 Front Disassembly (continued)

### FRONT BEZEL Removal

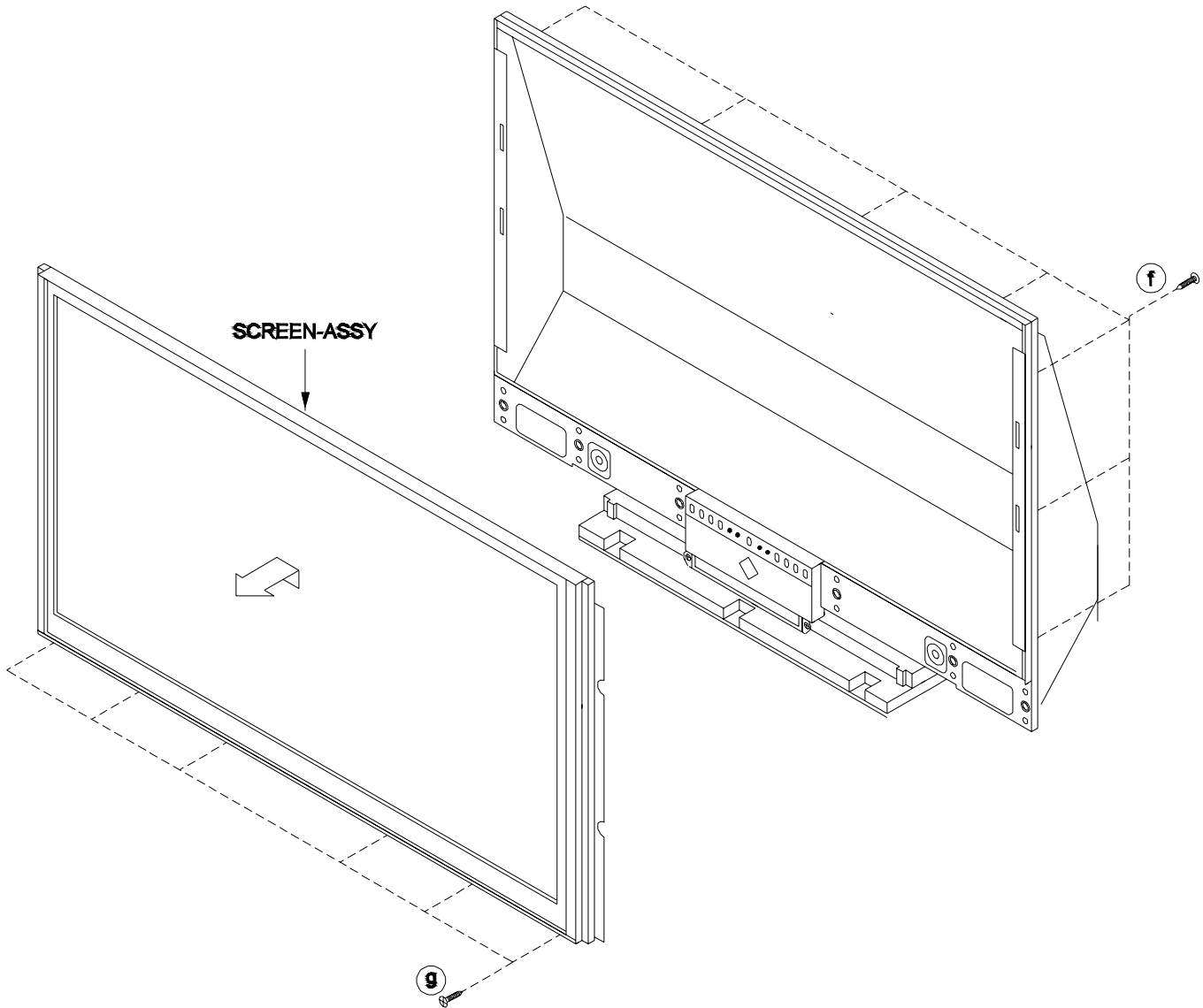
- 1) Remove screws (e) from the FRONT-BEZEL.
- 2) Pull the FRONT-BEZEL from the cabinet.



## WD-62927 Front Disassembly (continued)

### SCREEN ASSEMBLY Removal

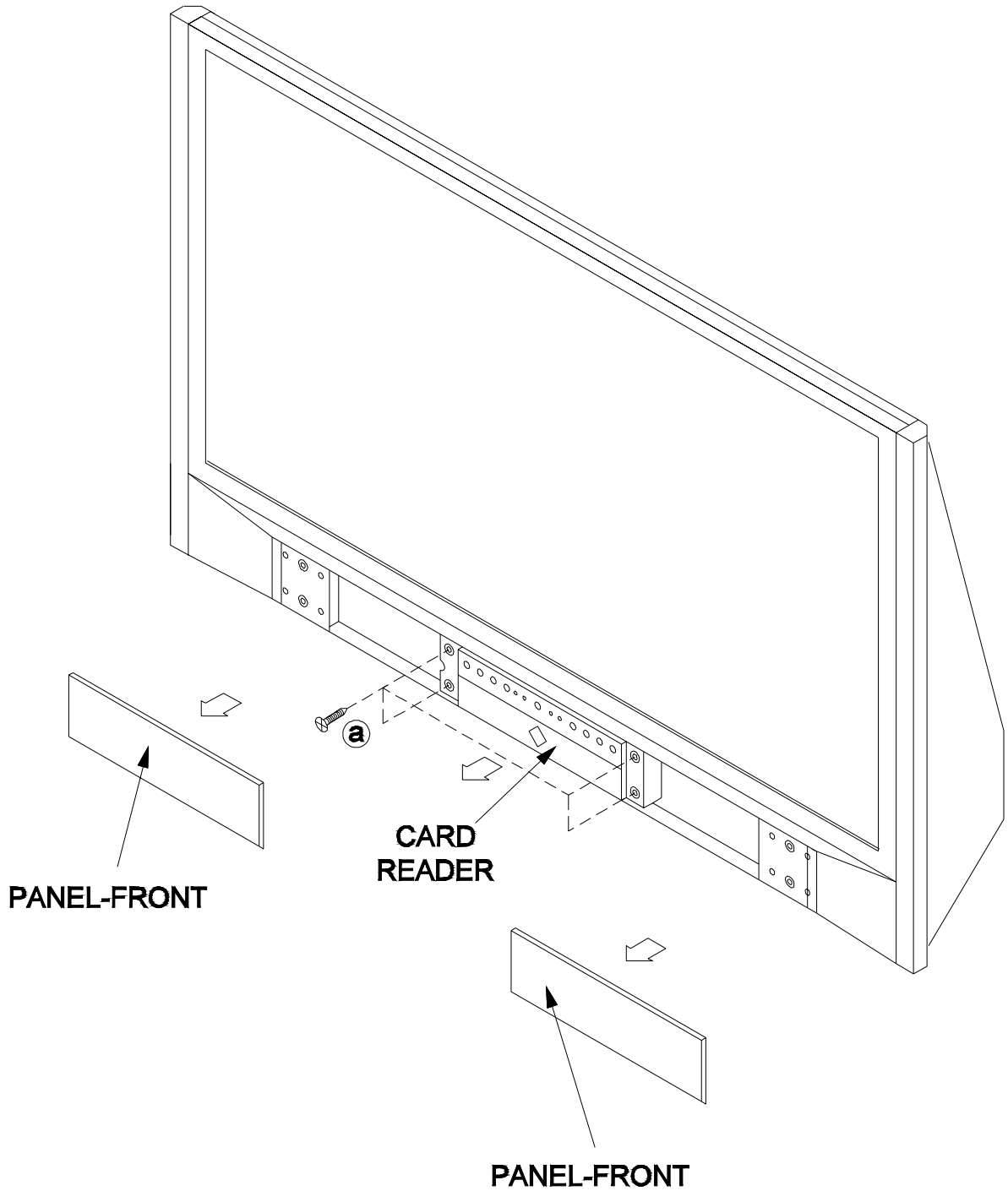
- 1) Remove screws (f) from the upper rear cover (3 at each side and 4 across the ).
- 2) Remove screws (g) at the bottom of the screen.
- 3) Lift the Screen Assembly slightly and pull away from the unit.



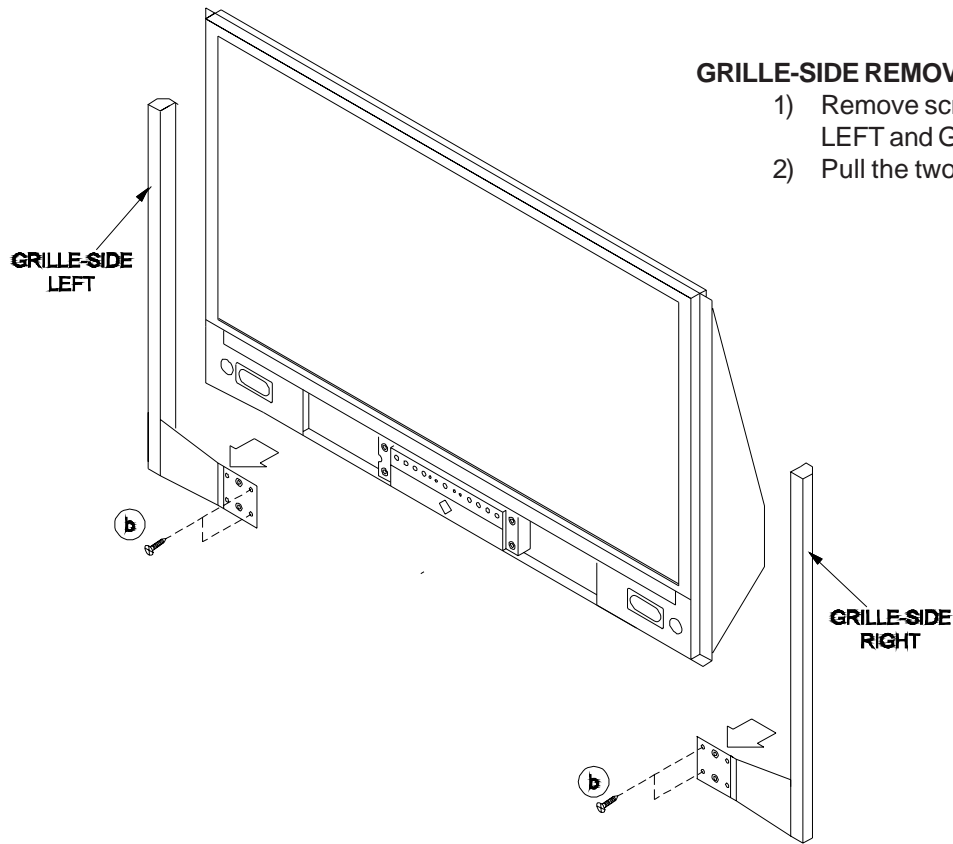
## WD-73727 / WD-73827 Front Disassembly

### CARD READER REMOVAL

- 1) Pull the two PANEL-FRONTs from the cabinet.
- 2) Remove screws ((a)) from the Card Reader.
- 3) Slide the Card Reader and Control Assembly out the front of the TV.  
(To remove the Card Reader completely unplug the connectore LL, CE1, J8202 and 1394.)



## WD-73727 / WD-73827 Front Disassembly (continued)

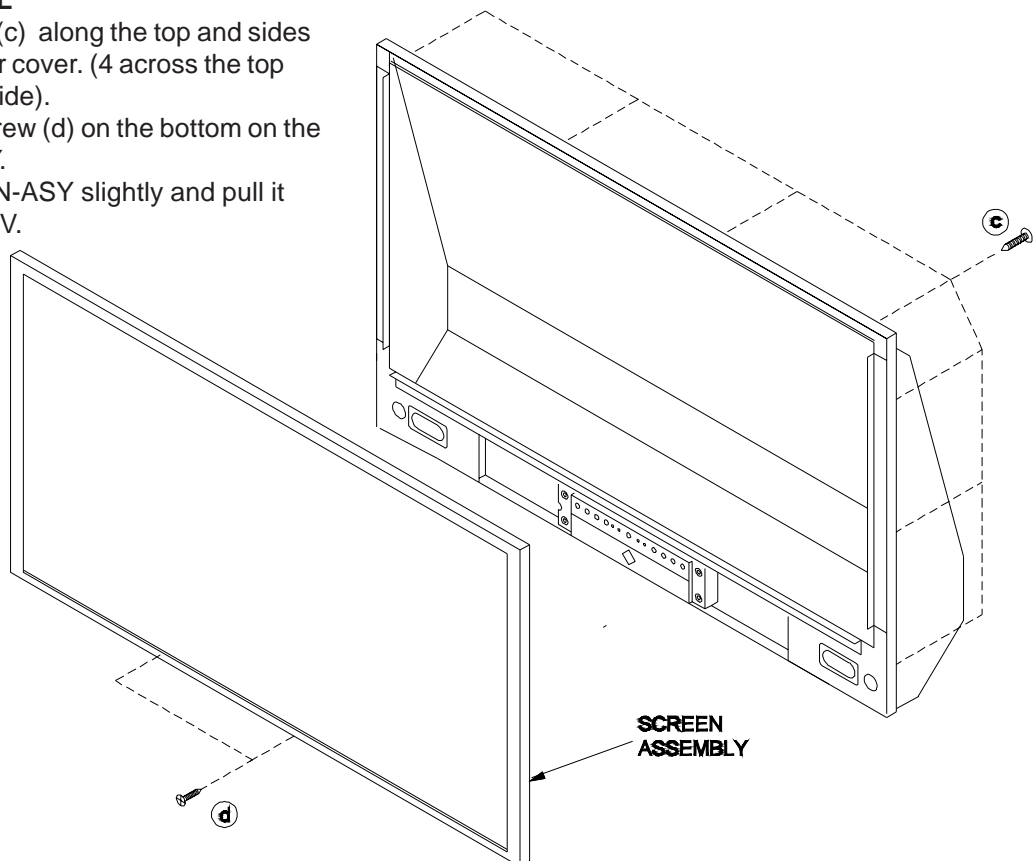


### **GRILLE-SIDE REMOVAL**

- 1) Remove screw (b) in the GRILLE-SIDE LEFT and GRILLE-SIDE RIGHT
- 2) Pull the two GRILLE-SIDES from the unit.

### **SCREEN-ASSY REMOVAL**

- 1) Remove screw (c) along the top and sides of the upper rear cover. (4 across the top and 3 on each side).
- 2) Remove two screw (d) on the bottom on the SCREEN-ASSY.
- 3) Lift the SCREEN-ASSY slightly and pull it away from the TV.

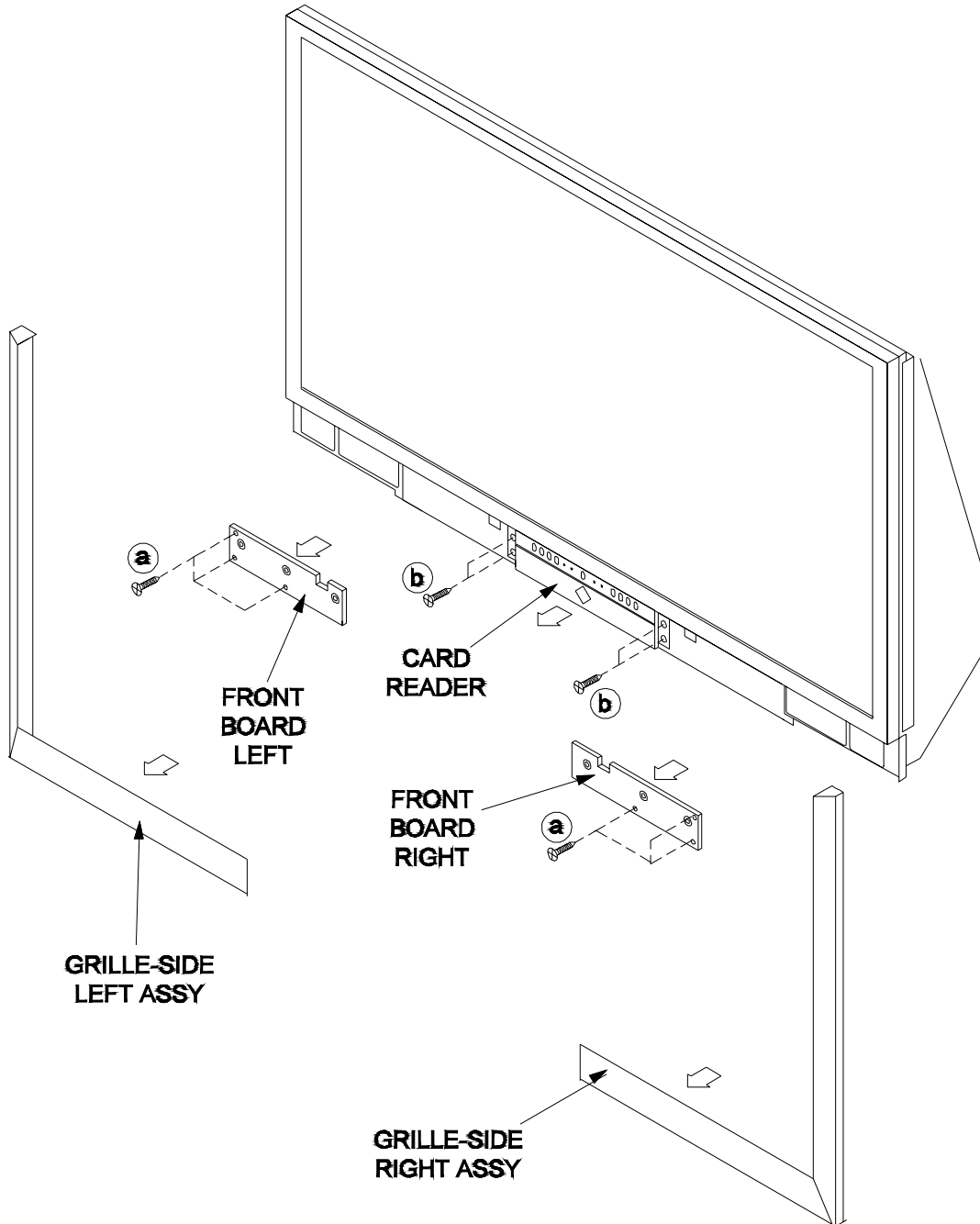




## WD-73927 Front Disassembly

### CARD READER REMOVAL

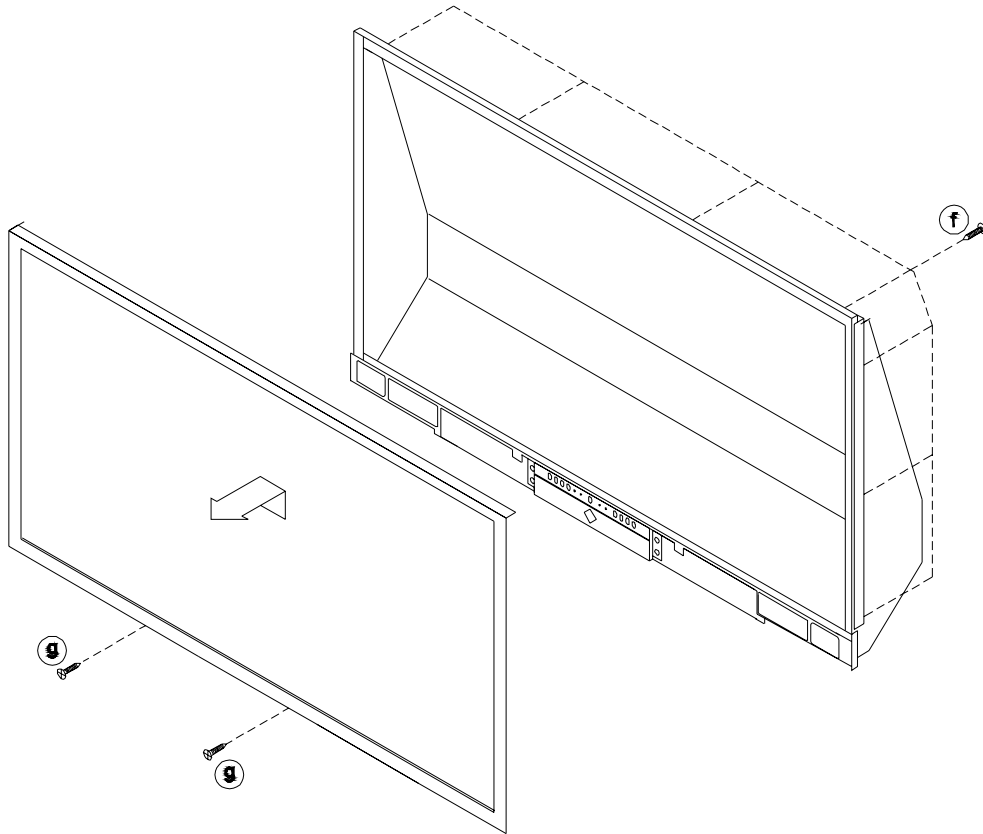
- 1) Pull of the right and left GRILLE-SIDES.
- 2) Remove screws (a) to remove the FRONT-BOARDS.
- 3) Remove screws (b) and pull the Card Reader and Control Assembly out the front of the TV.



## WD-73927 Front Disassembly (continued)

### **SCREEN-ASSY Removal**

- 1) Remove screws (f) along the top and sides of the upper rear cover. (4 across the top and 3 on each side).
- 2) Remove two screw (g) on the bottom on the SCREEN-ASSY.
- 3) Lift the SCREEN-ASSY slightly and pull it away from the TV.



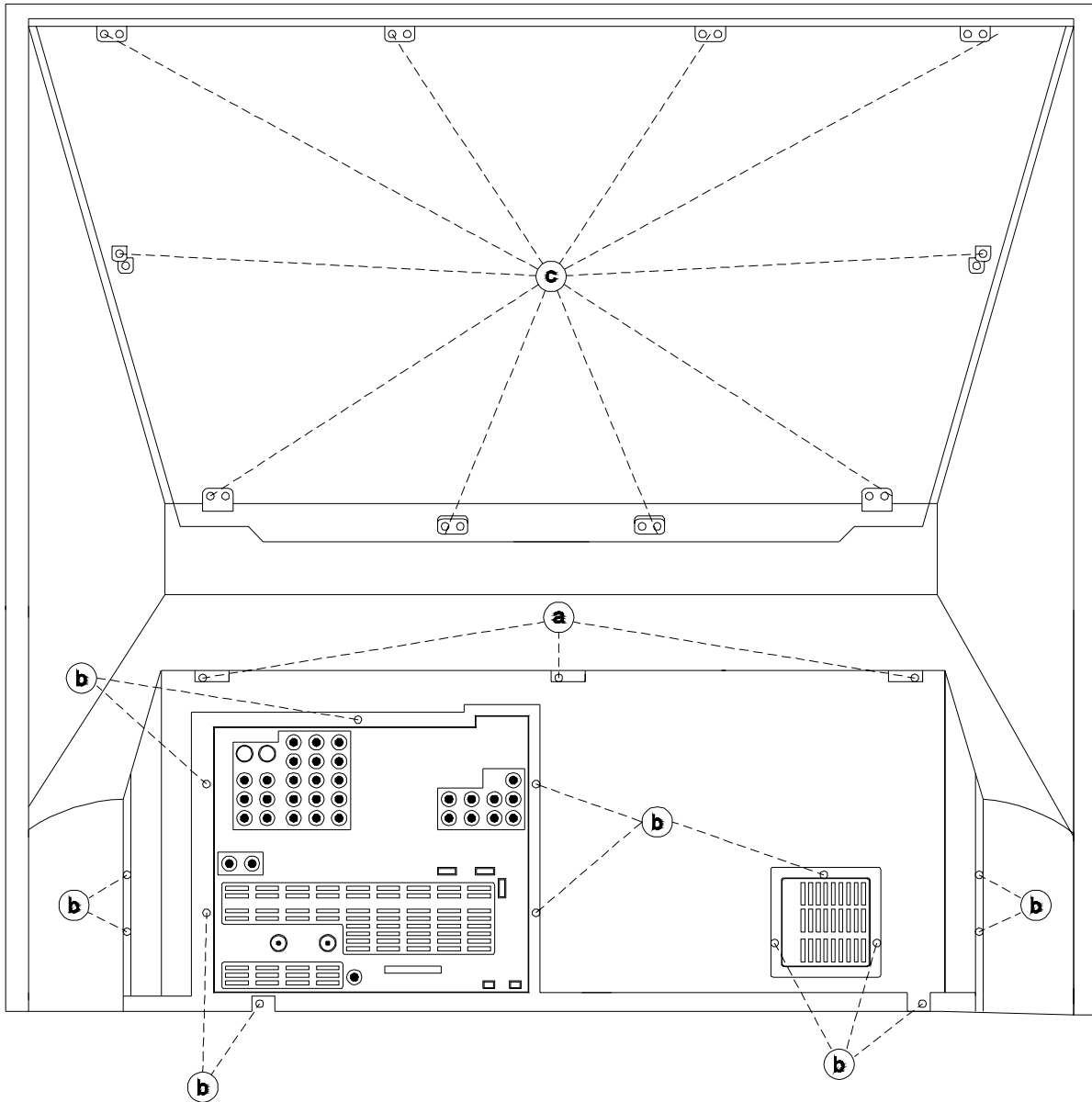
## Cabinet Rear Disassembly

### **BACK-COVER Removal**

- 1) Remove screws (a) and (b) from the the BACK-COVER.
- 2) Pull the BACK-COVER from the set.

### **Accessing the MIRROR from the rear (52 and 62 inch models ONLY)**

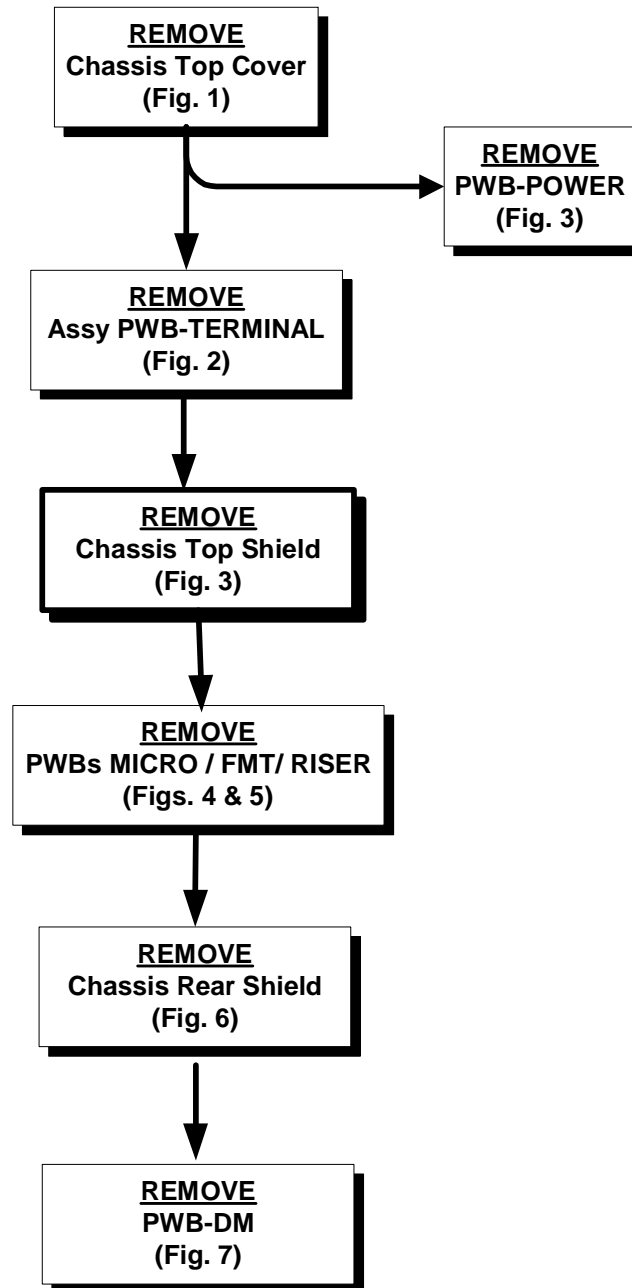
- 1) Remove screws (c).
- 2) Pull the Rear Mirror Access panel from the unit.



## Chassis Disassembly / Accessing PWBs

Note: Although not individually indicated, unplug the required connectors in each disassembly step.

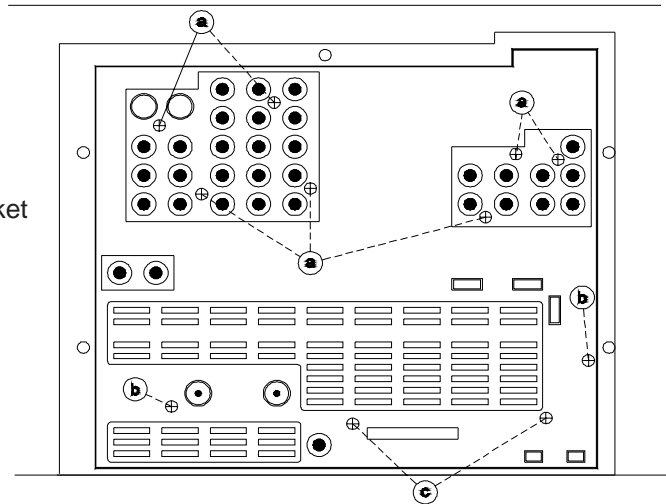
### Chassis Sequence of Disassembly



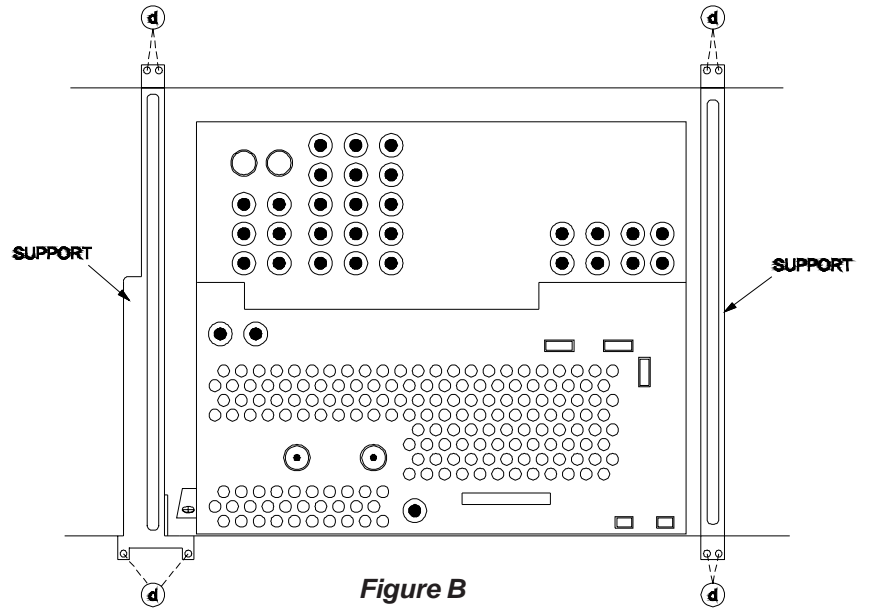
**Chassis Removal from the cabinet**

After removing the Rear Cover:

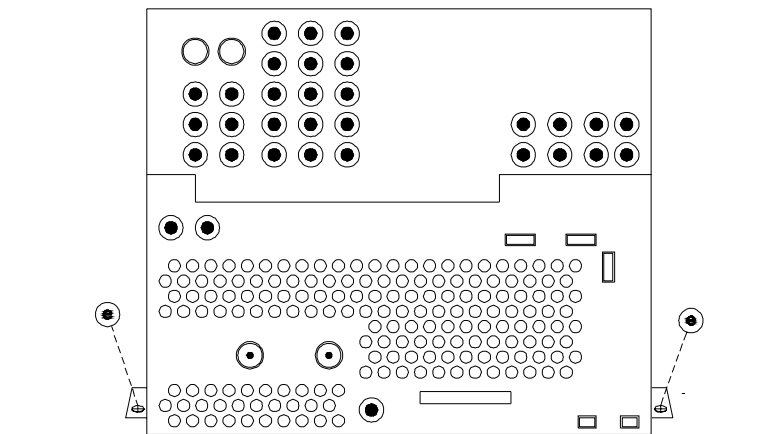
- 1) Remove screw (a), (b) and (c) to remove the back terminal board cover. (Figure A)
- 2) Remove screw (d) to remove the support bracket on each side of the chassis. (Figure B)
- 3) Remove the chassis mounting screws (e) on each side of the chassis. (Figure C)
- 4) Unplug all connectors to the chassis and carefully slide the chassis from the cabinet.



**Figure A**



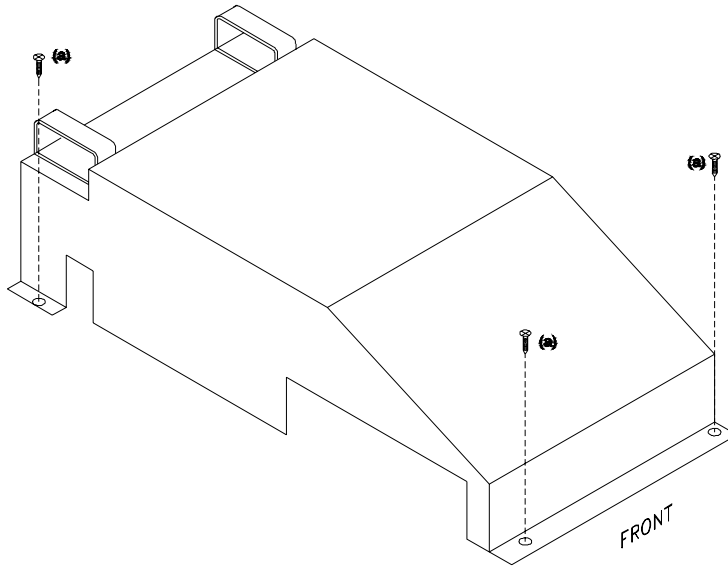
**Figure B**



**Figure C**

**Chassis Cover Removal (Figure 1)**

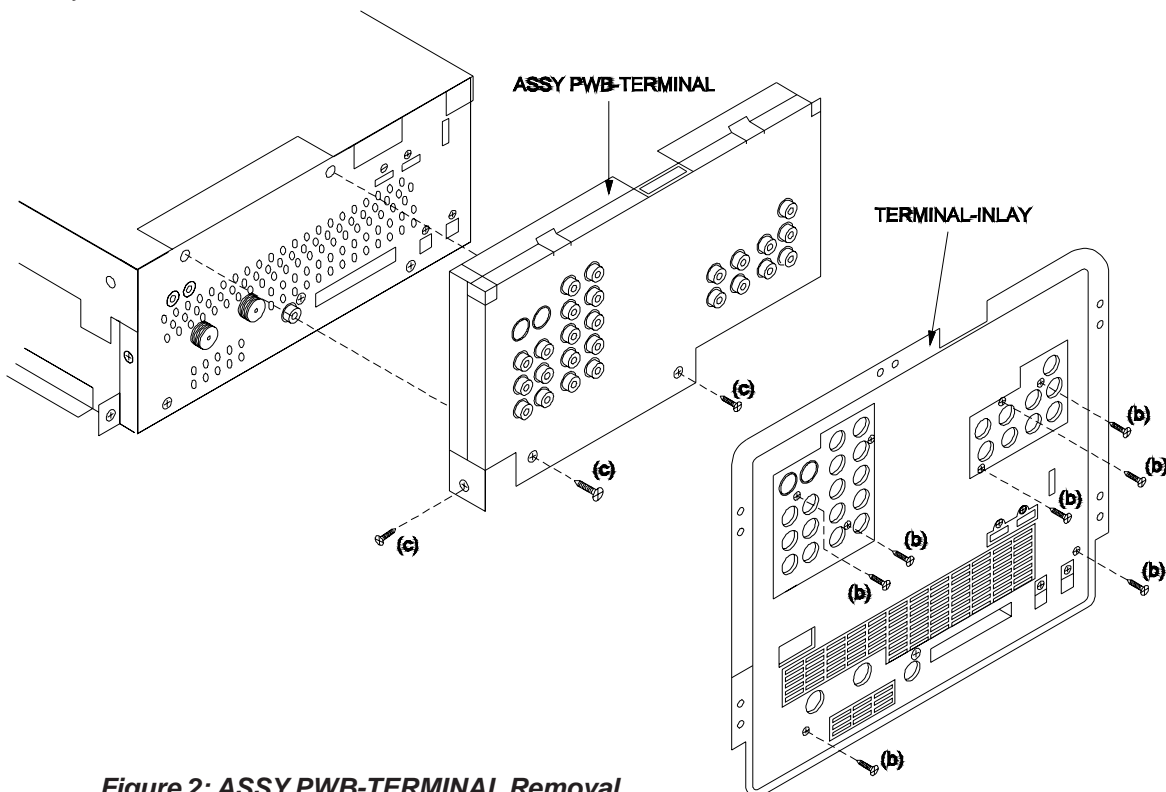
- 1) Remove the 3 screws (a).
- 2) Lift the Cover from the chassis.



**Figure 1: Chassis Cover Removal**

**Assy PWB- TERMINAL Removal (Figure 2)**

- 1) Remove 7 screws (b) to remove the TERMINAL-INLAY.
- 2) Remove 3 screws (c) to remove the Assy PWB-TERMINAL.



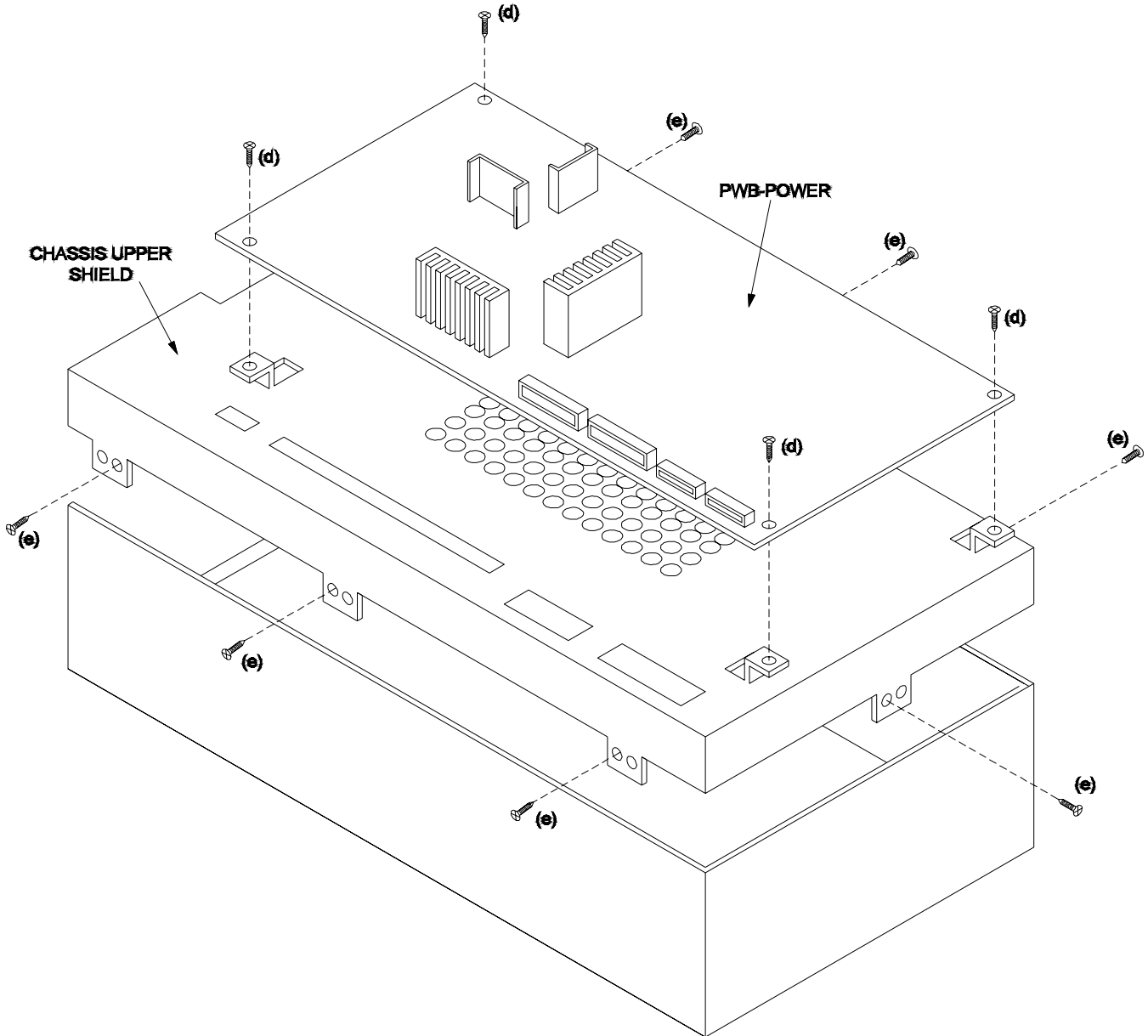
**Figure 2: ASSY PWB-TERMINAL Removal**

**PWB-POWER Removal (Figure 3)**

- 1) Remove four screws (d).
- 2) Disconnect all connectors to PWB-POWER.
- 3) Lift PWB-POWER from the chassis.

**Chassis Upper Shield Removal (Figure 3)**

- 1) Remove seven screws (e).
- 2) Lift the Shield from the chassis.

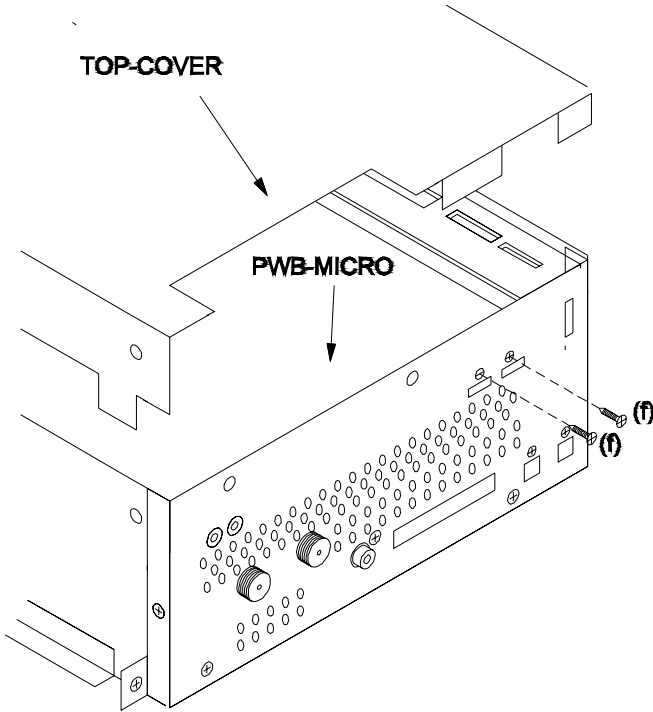


**Figure 3: PWB-POWER and Chassis Upper Shield**

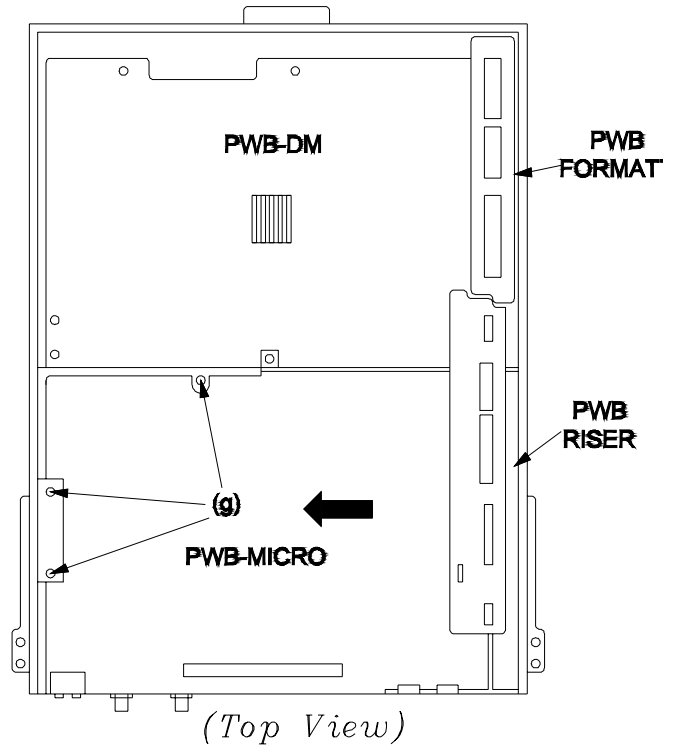
**PWB-MICRO Removal**

Referring to *Figures 4 & 5*.

- 1) Remove the 2 HDMI socket screws (f).
- 2) Remove 3 mounting screws (g) from PWB-MICRO.
- 2) Unplug PWB-MICRO from PWB-RISER and remove it from the chassis.



**Figure 4: HDMI Socket Screws**



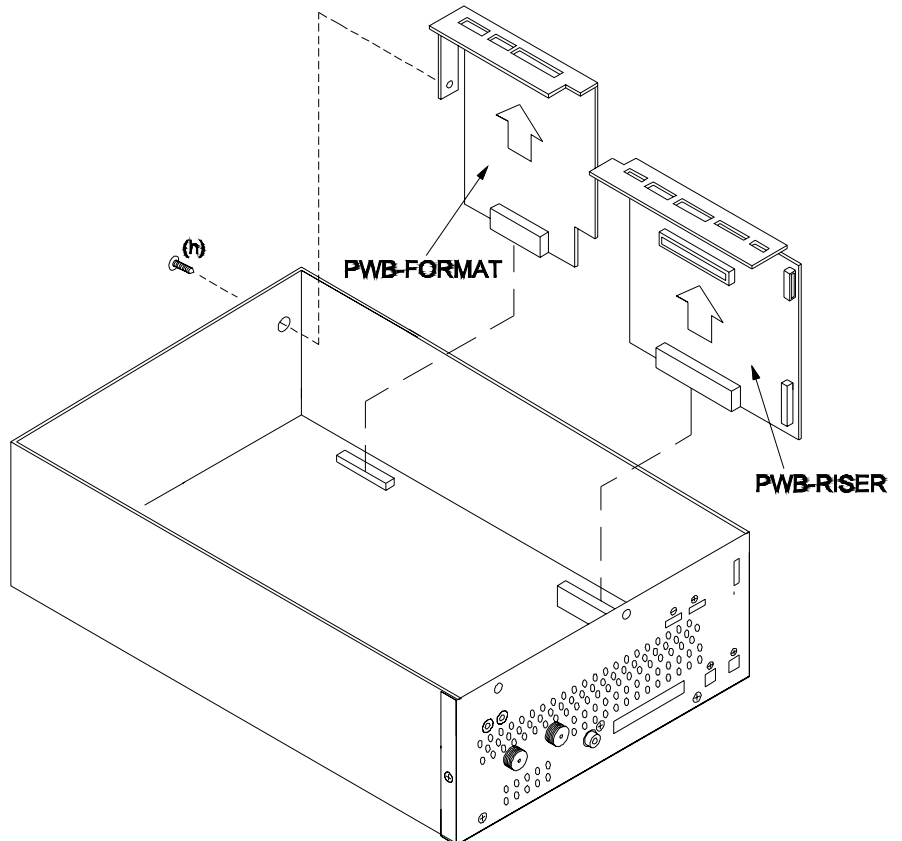
**Figure 5: PWB-MICRO Mounting Screws**

**PWB-FORMAT & PWB-RISER Removal**

Referring to *Figure 6*

After removing PWB-MICRO:

- 1) Remove screw (h).
- 2) Unplug the PWB-FORMAT and PWB-RISER from PWB-DM.



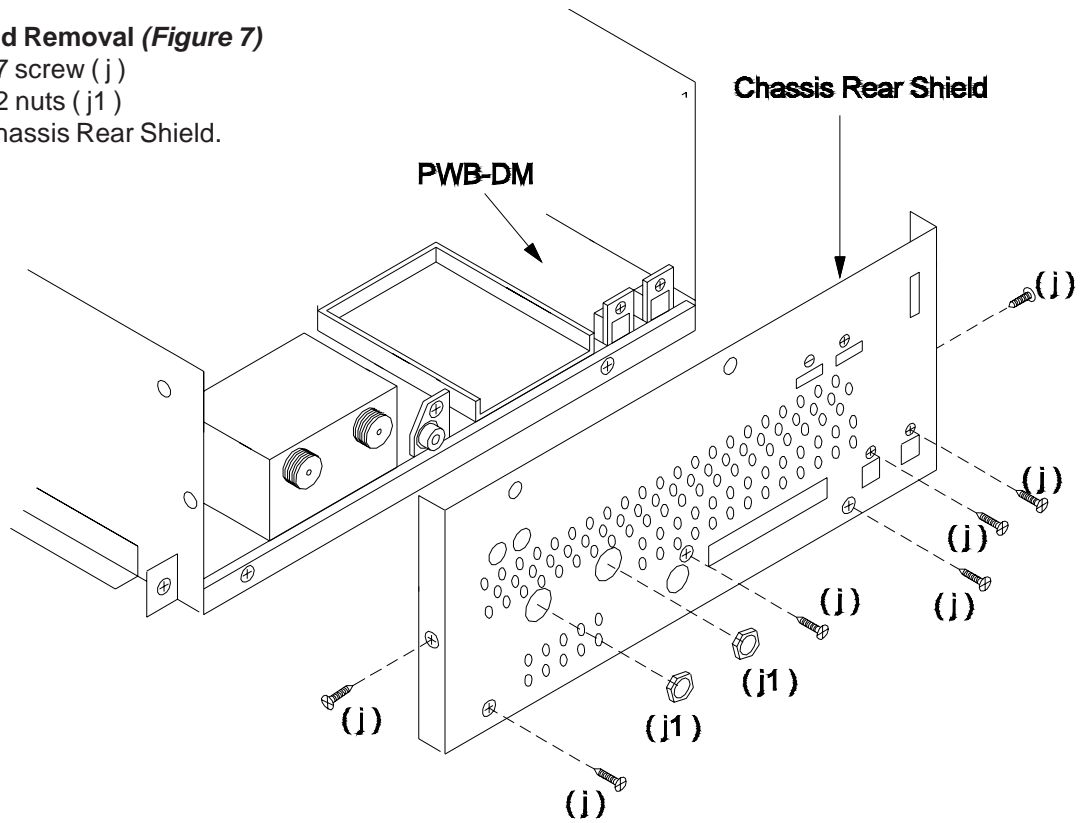
**Figure 6: PWB-FORMAT & RISER Removal**



**PWB-DM Removal**

**Chassis Rear Shield Removal (Figure 7)**

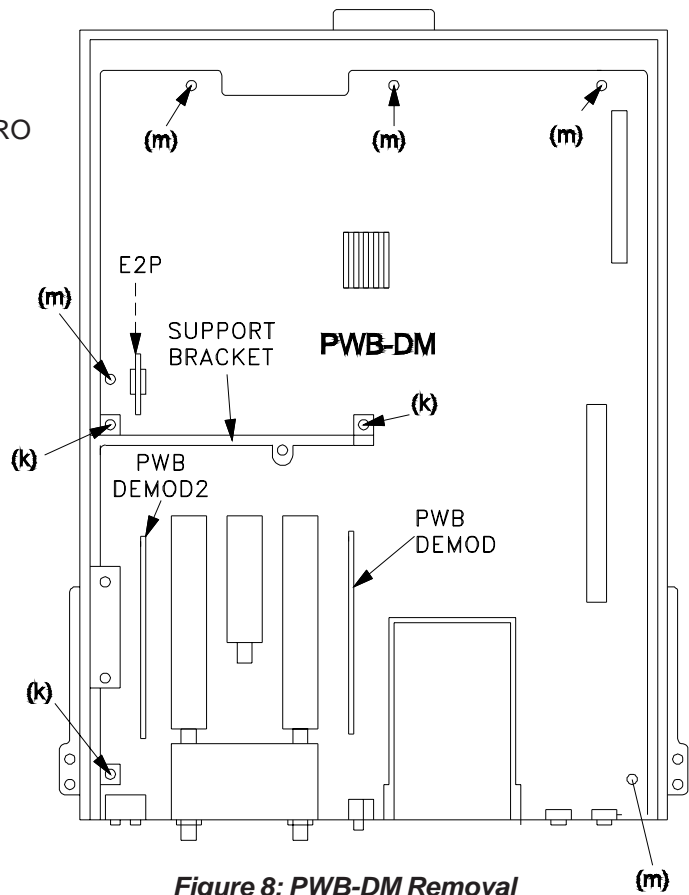
- 1) Remove 7 screw (j)
- 2) Remove 2 nuts (j1)
- 3) Pull off Chassis Rear Shield.



**Figure 7: Chassis Rear Shield**

**PWB-DM Removal (Figures 8)**

- 1) Remove 3 screws (k) holding the PWB-MICRO Support Bracket.
- 2) Remove the Support Bracket.
- 3) Remove the five screws (m).
- 4) Remove the PWB-DM from the chassis.



**Figure 8: PWB-DM Removal**

## OPERATING CHASSIS OUTSIDE OF CABINET

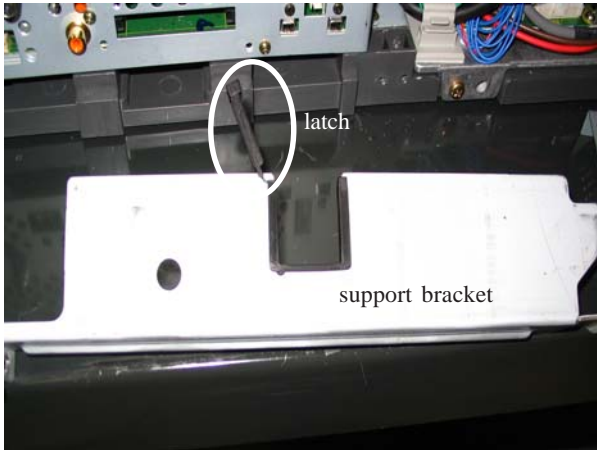
1) Remove screws from back terminal board.  
Screws **A** = (7), **B** = (2), **C** = (2)



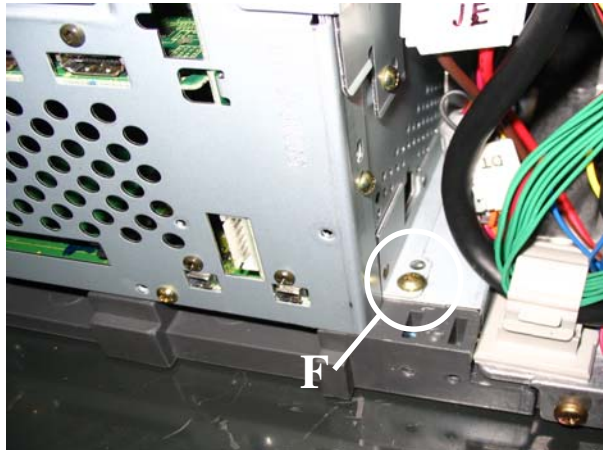
2) Remove support bracket screws **D** = (4), and mounting screw **E** = (1)



3) Support bracket has latch that must be opened before removing from unit



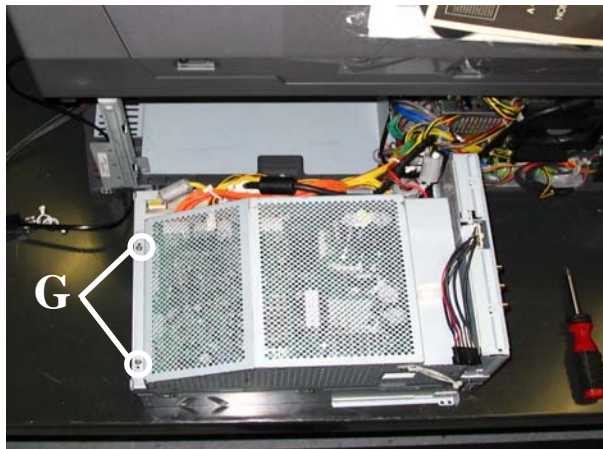
4) Remove mounting screw **F** = (1) on right side of chassis behind bracket



5) Disconnect AC cord from connector **PS** and disconnect connector **CE1**

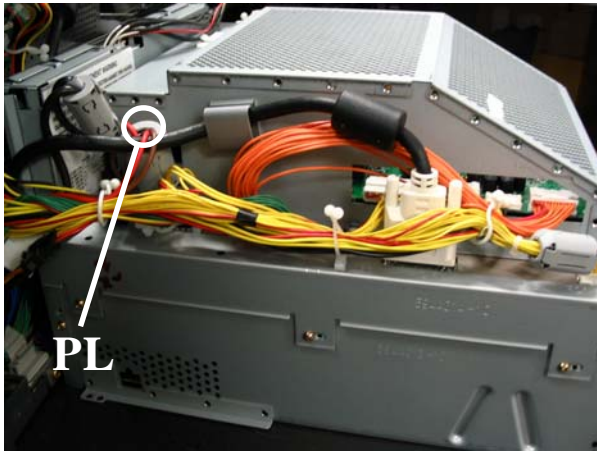


6) Pull chassis from cabinet. Rotate to side as pictured below and remove screws **G** = (2)

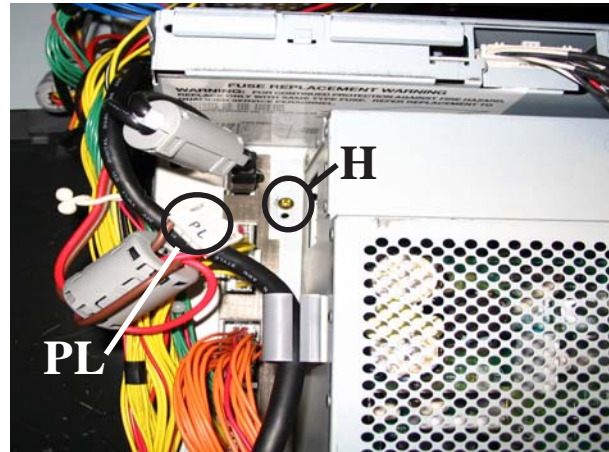




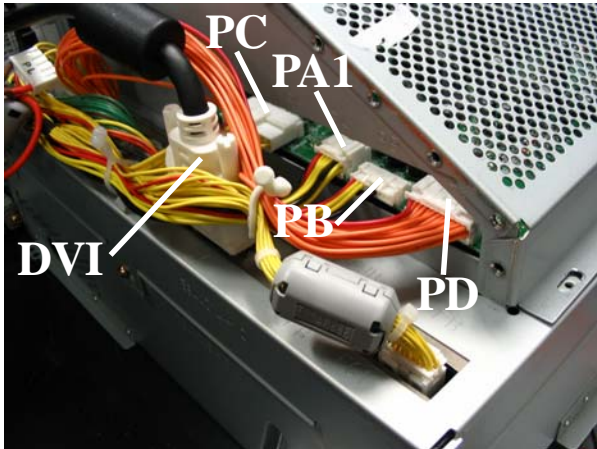
7) Pictured below is proper wire routing, please verify during re-assembly



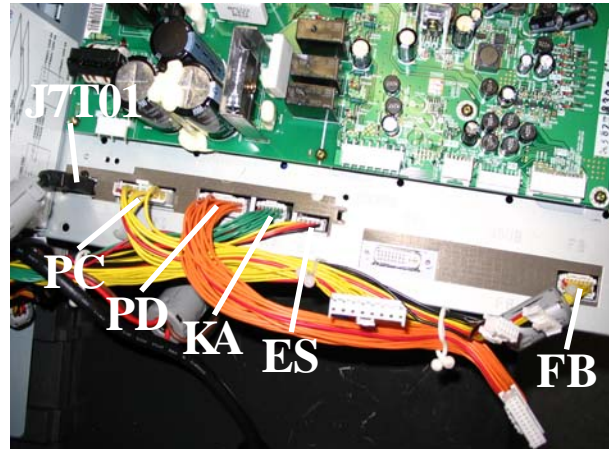
8) Disconnect connector **PL** and remove screw **H = (1)**



9) Remove connectors **PC, PA1, PB, PD** and **DVI cable**



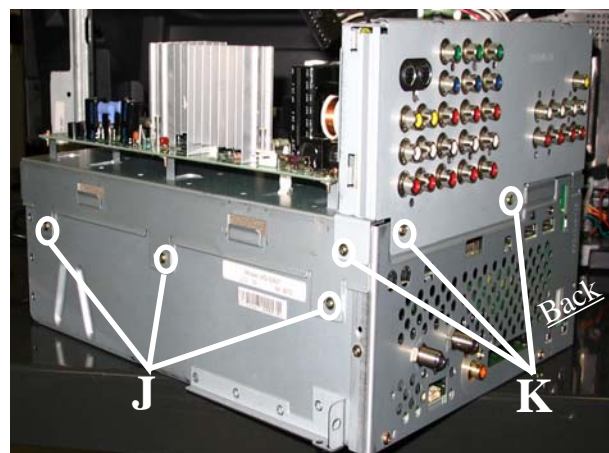
10) Remove cover shield for Power PWB. Disconnect connectors **FB, ES, KA, PD, PC, J7T01**



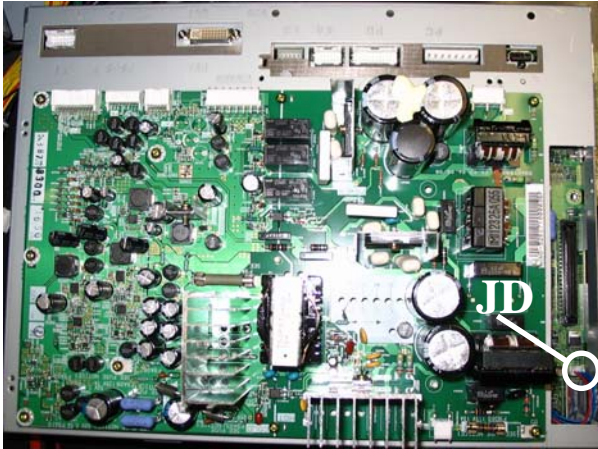
11) Remove screws from side and front of chassis **I = (4)**



12) Remove screws from side of chassis **J = (3)** and from terminal **K = (3)**



13) Pull Terminal PWB from chassis assembly and remove fan connector **JD** from Micro PWB



**NOTE:** Unit can be operated without Terminal PWB or Chassis Fan installed. Without Fan connected, TV will shutdown if Micro PWB (Bottom side) temperature becomes too hot.



14) Setup power section next to remaining chassis section as pictured below.



**NOTE:** It is recommended to use a separate AC cord. You can purchase one from the parts department: **P/N 246C351070**



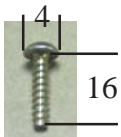
**Bolt Table:**



Screw Size: 3x12  
Used @: A / C



Screw Size: 3x8  
Used @: B / G / H / I / J / K



Screw Size: 4x16  
Used @: D / E / F

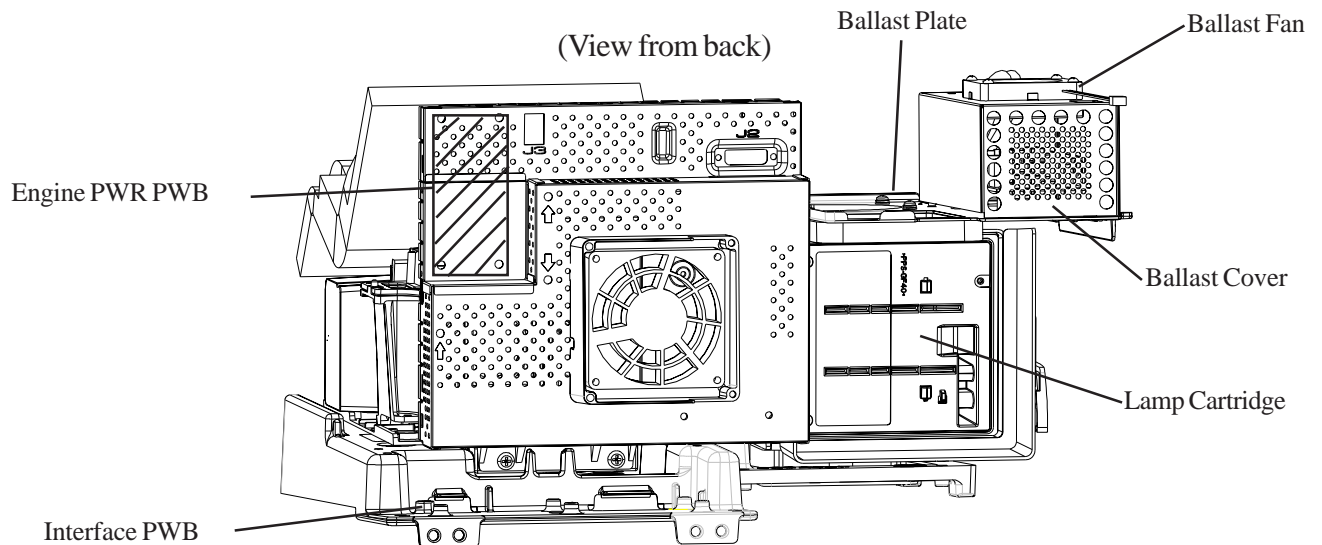
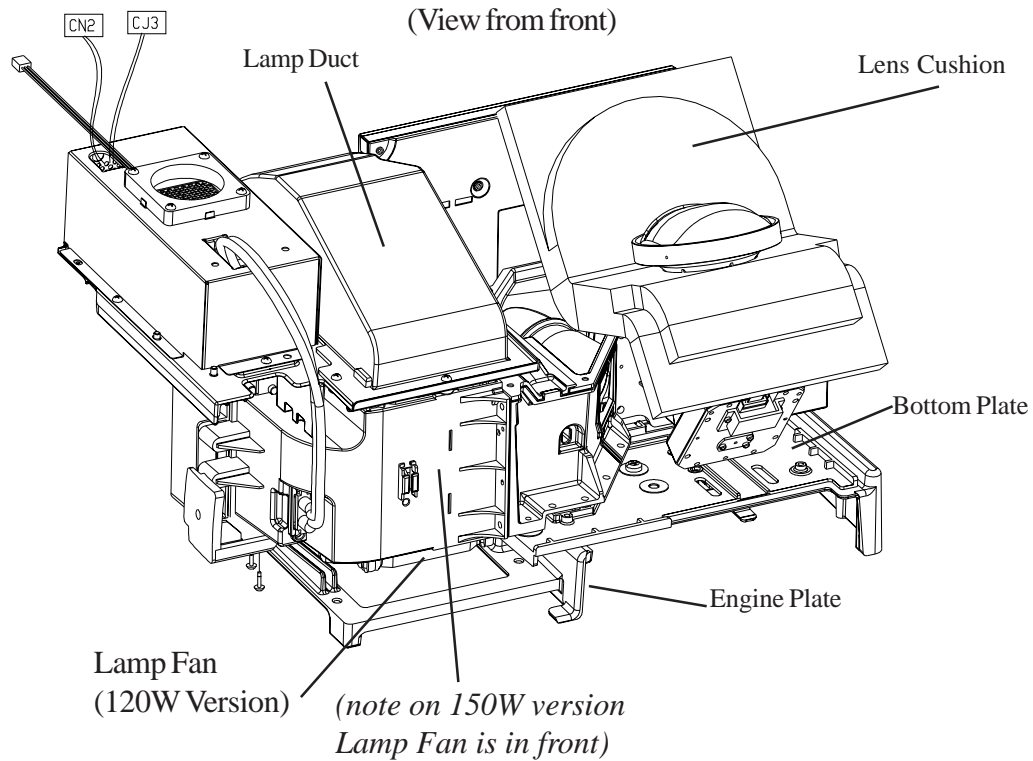


## OPTICAL ENGINE REPLACEMENT

Pull engine from base and remove all the listed parts on this page and transfer them to new engine. Then transfer EEPROM data and realign mechanical.

(See following pages for details)

LAMP DUCT	ENGINE-PWR-PWB
LENS CUSHION	BALLAST PLATE
ENGINE PLATE	INTERFACE PWB
BOTTOM PLATE	LAMP CARTRIDGE
LAMP FAN	



## OPTICAL ENGINE REPLACEMENT (Details)

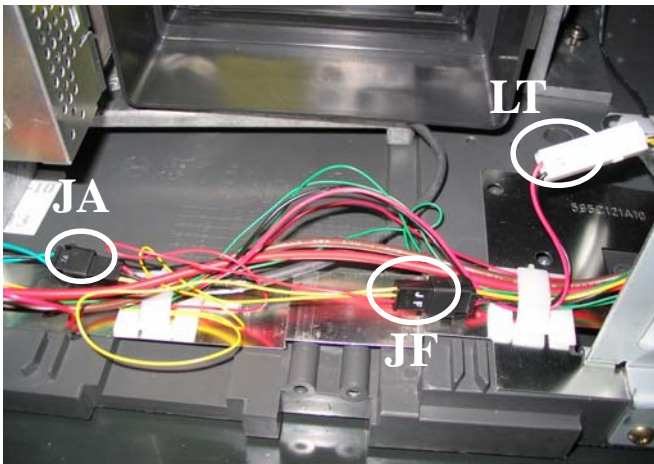
1) Remove screws (3)



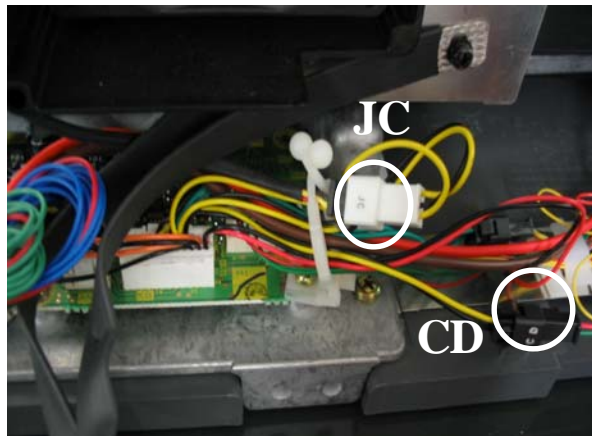
2) Remove mounting screw



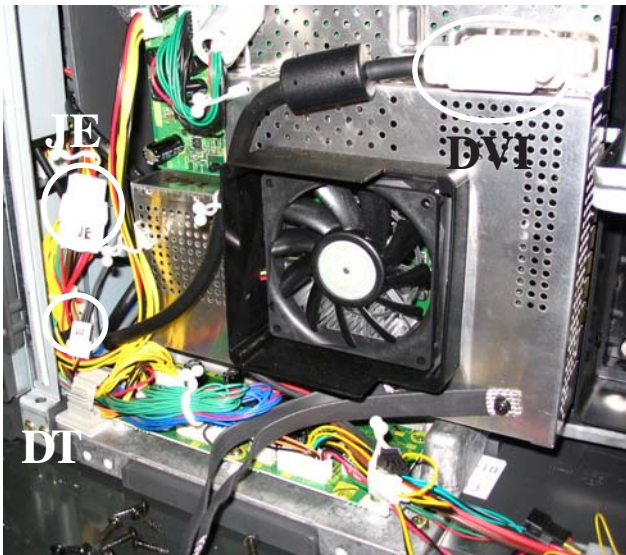
3) Disconnect JA, JF, LT connectors



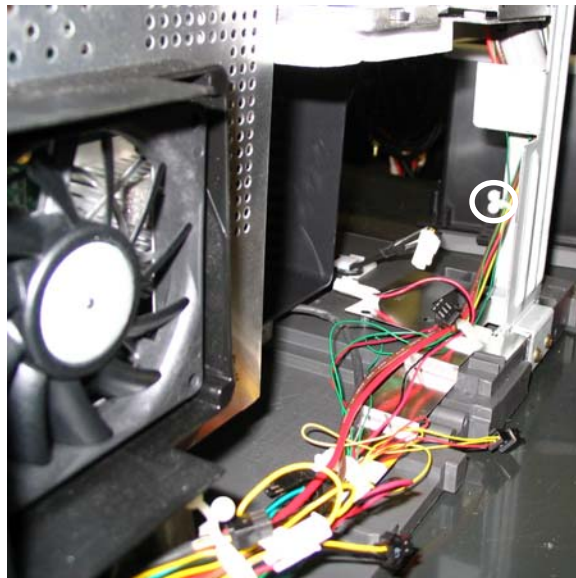
4) Disconnect JC and CD connectors



5) Remove DVI cable and disconnect JE and DT connectors



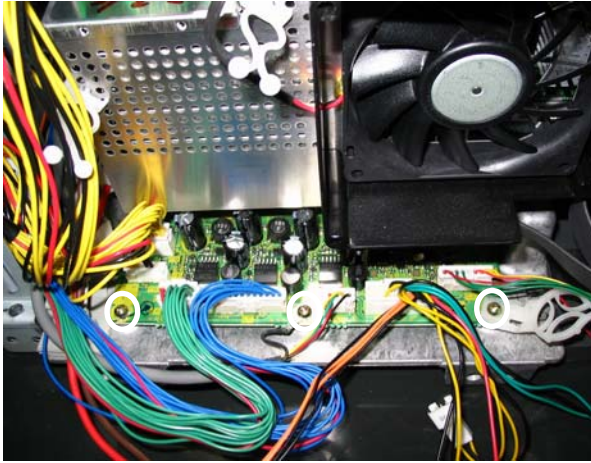
6) Remove wire tie near support post



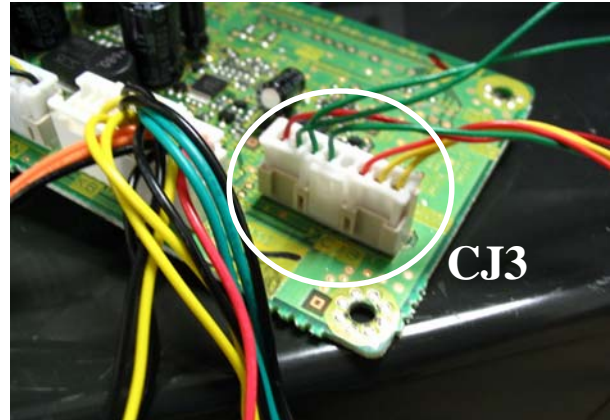


## OPTICAL ENGINE REPLACEMENT (Details)

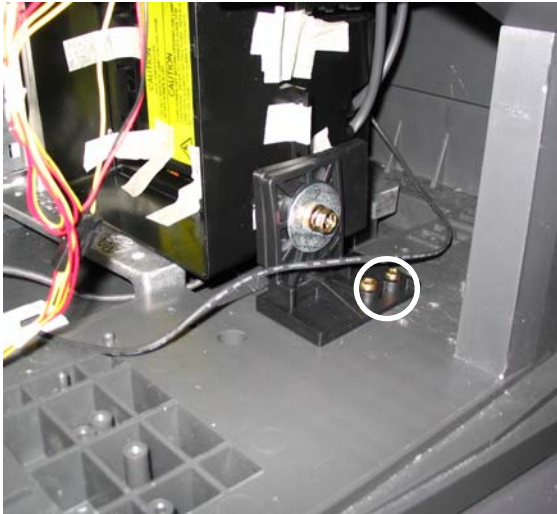
7) Remove (3) screws from Interface PWB



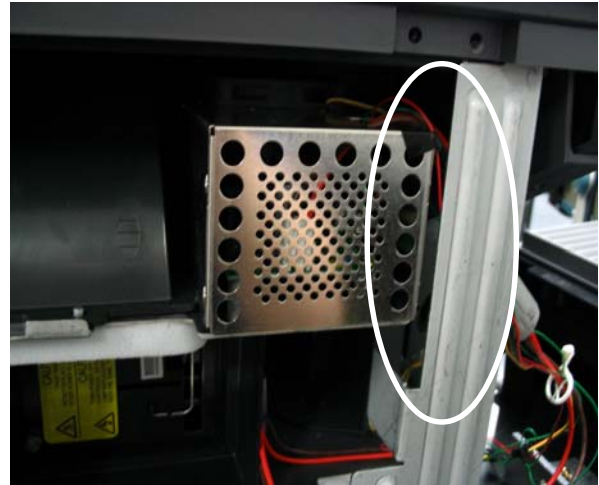
8) Remove **CJ3** connector from Interface PWB



9) Remove (2) screws from Side Lock



10) Route wiring so that it does not snag on support post.



11) Disconnect **PA1** and **J3** connectors and remove Engine-PWR-PWB

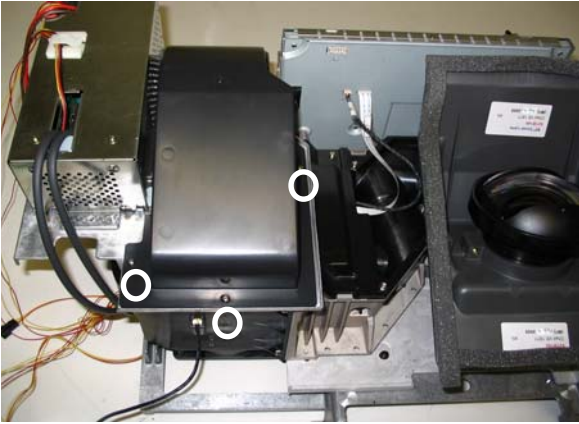


12) Pull Optical Engine from cabinet. (Note: Slight twisting motion may be required)

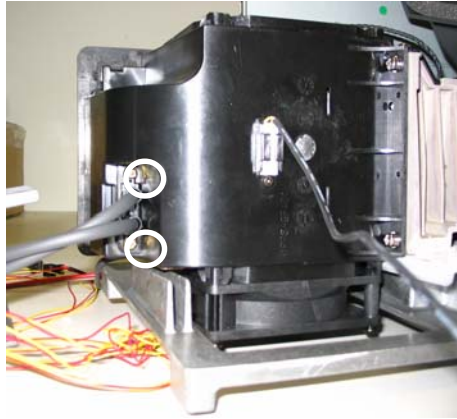


## OPTICAL ENGINE REPLACEMENT (Details)

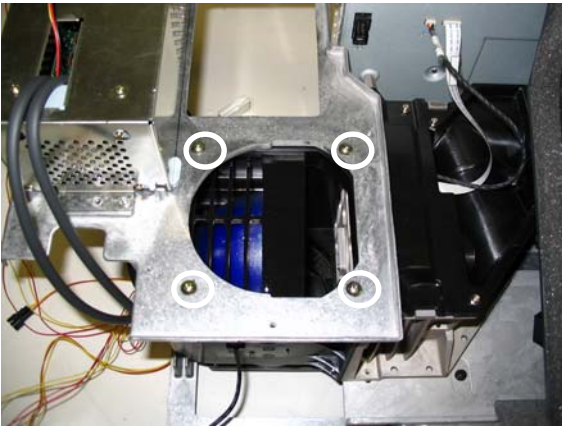
13) Remove (3) screws from Lamp Duct



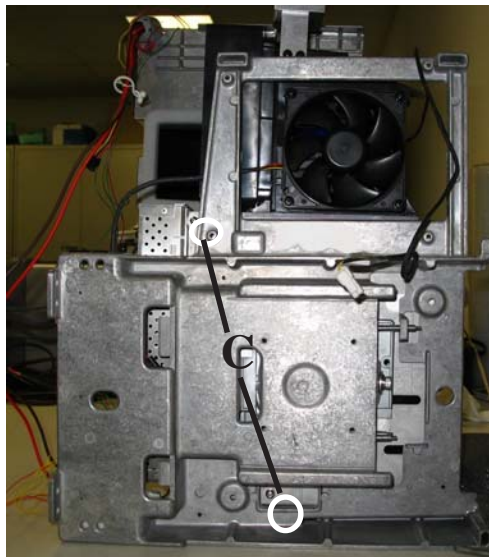
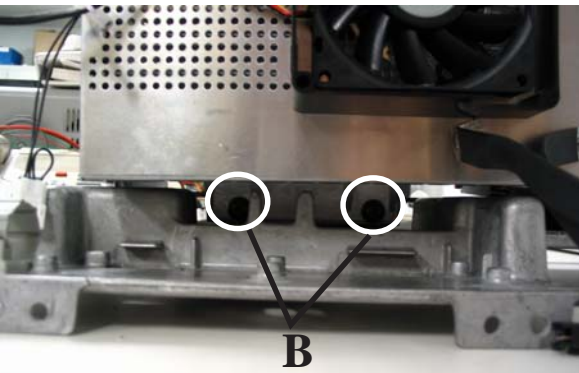
14) Remove (2) screws from Lamp Cartridge - and remove Lamp Cartridge



15) Remove (4) screws from Ballast Plate



16) Remove Bottom Plate from Engine Plate.  
Remove (5) screws A - B - C

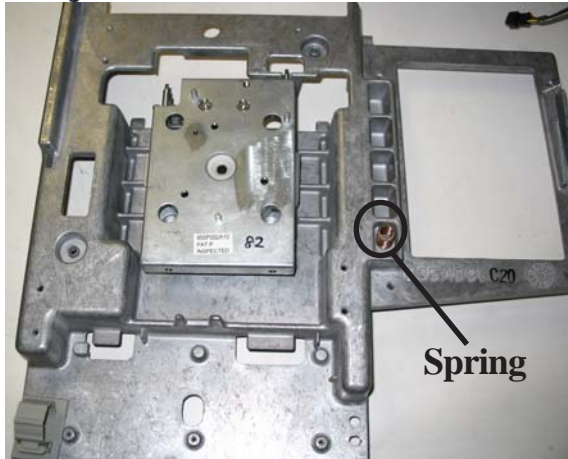




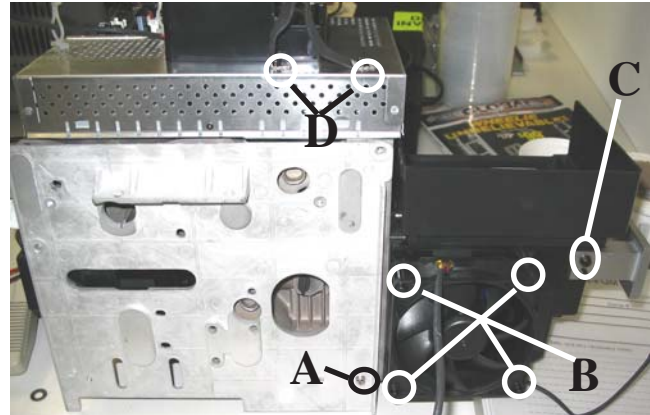
## OPTICAL ENGINE REPLACEMENT (Details)



17) Be sure not to misplace spring



18) Remove (1) screw from plate (A), (4) screws from fan (B), (2) screws from side lock (C) and (2) grounding strap screws (D)



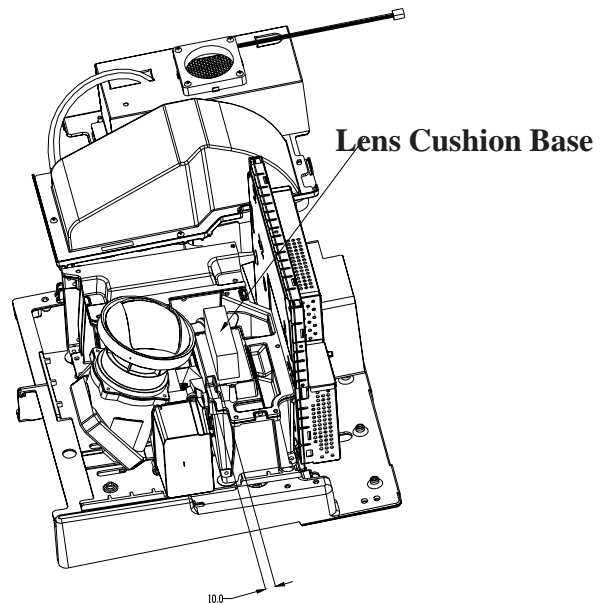
19) Transfer LENS COVER from service part to defective part

### Reassembly:

1) Attach LENS CUSHION BASE to Engine

Follow above steps in reverse order

TIP: Lift and group wiring on left side of engine when installing



Mechanical Alignment: Adjustment is required after engine has been removed. Please follow steps in the adjustment section of this manual.

Data: Index Delay Data needs to be transfered from Engine to E2P PWB:

< MENU + 2457 + 0 >

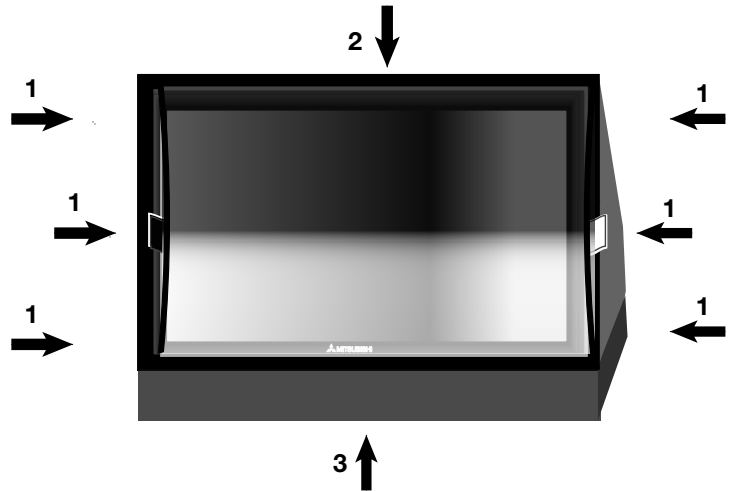
Select -> COPY LIGHT ENGINE EEPROM TO DM  
PRESS ENTER

## DIAMOND SHIELD REPLACEMENT

(WD-62927 / WD-73927 Only)

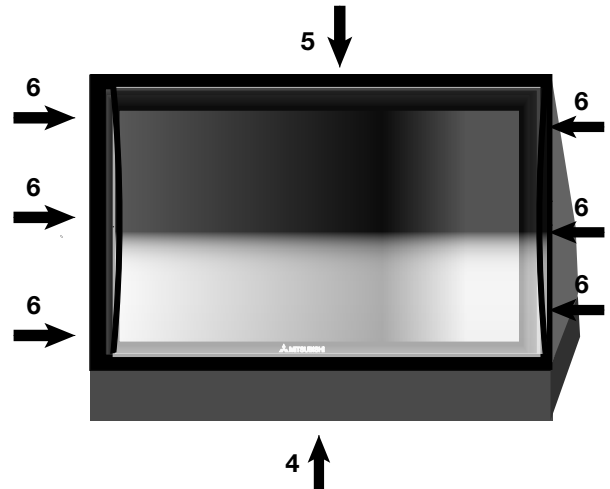
### To Remove the Diamond Shield:

1. While wearing soft cotton gloves, loosen the sides of the Diamond Shield by pressing a small plastic card (the size of a standard credit card or a clean, plastic, putty knife) into the middle of the side slot. The Diamond Shield side will snap out of the top middle and bottom clips. Loosen both sides before proceeding to step 2.
2. After the sides are free, gently push down on the top of the Diamond Shield. It will slide out of the top channel.
- 3 Carefully pull the screen up to remove it from the bottom channel. Store the Diamond Shield in a clean, dust free area, where it will not be scratched.



### To Install the Diamond Shield:

4. Slide the Diamond Shield into the bottom channel, making sure it fits securely.
5. Press gently on the top of the Diamond Shield to slightly bow the screen towards you. Insert the top of the Diamond Shield into the top channel. It should fit securely.
6. At each side, gently press the top, middle and bottom of the Diamond Shield to snap it back into place.



### WARNING

**Sharp edges! Always wear gloves to handle, lift, install and remove the Diamond Shield.**



## SERVICING THE LENTICULAR SCREEN AND FRESNEL LENS

**CAUTION:** Wear gloves when handling the Lenticular Screen and Fresnel Lens. This prevents cuts and finger prints. **Do not place Fresnel Lens in the sun.** This may cause fire and heat related injuries.

### Lenticular Screen and Fresnel Lens Removal

1. Remove the screen assembly as shown in the Cabinet Disassembly procedure.
2. Remove the four screws (a) to remove the bottom of the SCREEN-FRAME-BOTTOM . (Figure 1)
3. From the rear of the screen assembly, carefully slide the Lenticular Screen and Fresnel Lens combination from the Screen Frame. (Figure 2)

**Note:** When separating the Lenticular Screen from the Fresnel Lens, use caution while prying the Screen and Lens apart. Use a slot type screw driver, and remove the pressure sensitive double sided tape.

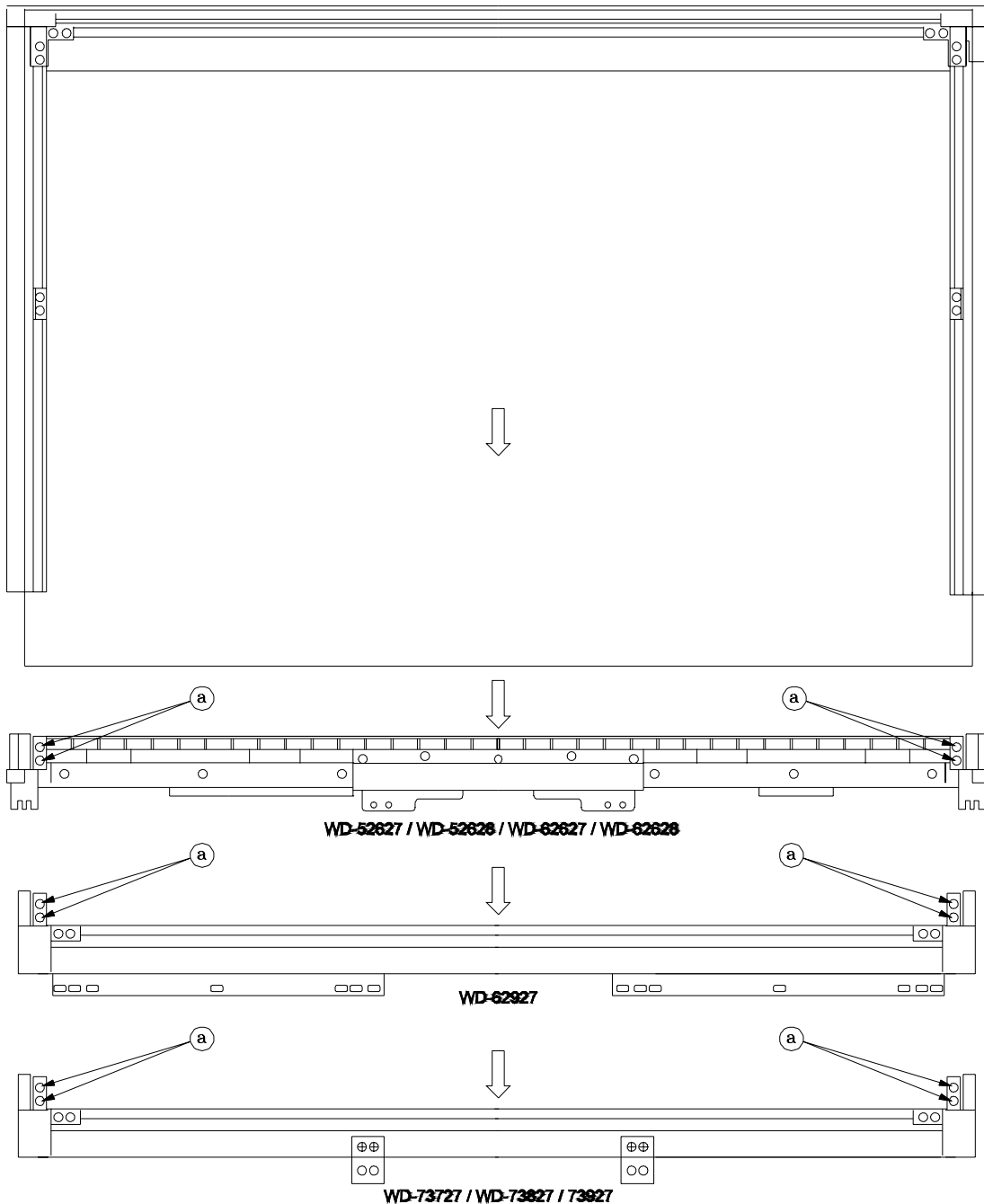


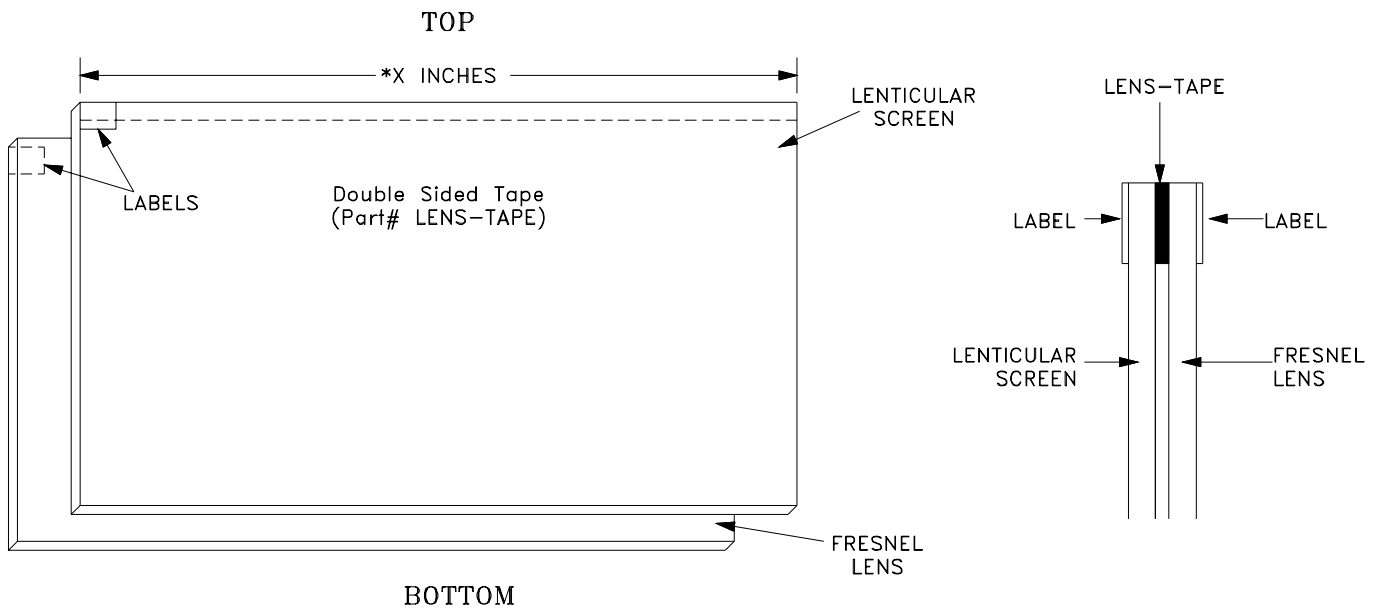
Figure 1

## SERVICING THE LENTICULAR SCREEN AND FRESNEL LENS

### Lenticular Screen and Fresnel Lens Installation

**Note:** Store the Lenticular Screen and Fresnel Lens in a cool dry place. High humidity may deform the Lenticular Screen and Fresnel Lens.

1. Apply double coated tape (Part #LENS-TAPE) along the top rear edge of the Lenticular Screen, as shown below. Refer to the table below for the tape length.
2. Sandwich the Fresnel Lens and Lenticular Screen together. The Lenticular Screen label must be towards the front and the Fresnel Lens label towards the rear. (*Figure 2*)
3. Apply pressure at the top edge to bond the screens together.
4. Reverse the Screen Removal procedure and insert the screens in the Screen Fame Assembly.

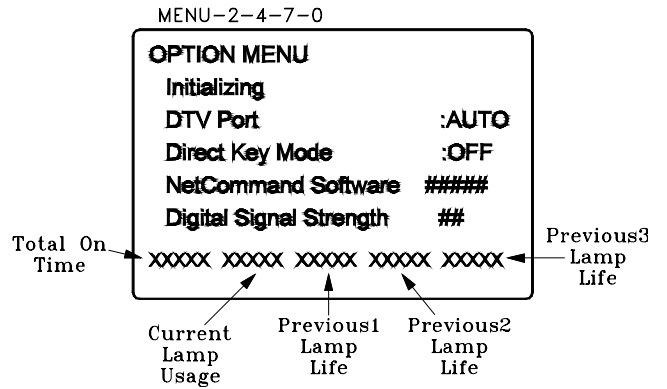


\*x INCHES – REFER TO TAPE LENGTH IN THE TABLE BELOW

**Figure 1**

# OPTION MENU

1. Press the "MENU" button on the remote hand unit.
2. Press the buttons "2", "4", "7" and "0" in order.  
(The screen will change to the option menu.)



## Initial Main Menu Defaults

<b>Setup Menu</b>		L-Adult Language	Enable
Language	English	S-Sexual Situationss	Enable
Combine Channel View	--	V-Violence	Enable
<b>Clock</b>		Programs Not Rated	Enable
Clock Setting	Manual	Movie Rating	PG
Time	12:00pm	V-Chip Time	
Date	--	Start	12:00pm
Time Zone	--	Stop	12:00pm
Daylight Savings Time	--	<b>Lock by Time</b>	
Timer	--	Lock by Time	On
Lamp Reminder		Lock Time	12:00pm
Software Version		Unlock Time	12:00pm
<b>NetCommand Menu</b>		Front Button Lock	Off
Edit	--	<b>Audio/Video</b>	
Icon Order	--	A/V Memory Reset	Ant-1
Transport Menu	On	Settings	
Fixed Channel for Cable Box	3 (gray out)	<b>Audio</b>	
<b>Record</b>		Bass	50%
Record		Treble	50%
Channel	2	Balance	50%
Record to	--	Surround	Off
Duration	1 hr	Listen to (Analog Only)	Stereo
Start Time	--	Level Sount (Analog Only)	On
Day	--	Language (Digital Only)	English
Record List	--	<b>Video</b>	
Default Record Device	Gray out	Contrast	100%
Analog Recordings	Anamorphic	Brightness	50%
<b>Channel</b>		Sharpness	50%
Antenna	1	Color	50%
Prefer Digital	--	Tint	50%
Channel	2	Color Temp	High
Memory	Added	Video Noise	Standard
Name	--	Film Mode (Auto)	On
SQV	--	Define Edge	On
Signal Strength	--	Color Balane	
<b>Captions Menu</b>		Video Mute	On
Analog Captions	On if Mute	black Enhancement	On
Background	Gray	TV Speakers	On
Digital Caption	On if Mute	<b>TV Volune</b>	30%
Appearance	Default	<b>PIP Source</b>	Ant 1 003
DigitalSettings		<b>PIP Position</b>	Lower Right
Font	Font 3	<b>POP Position</b>	Right Half
Size	Large	<b>PIP/POP Format</b>	Double Window
Color	White	<b>Format</b>	
Background	Black	Ant-1,2 (480i/480p)	Stretch
Opacity	Translucent	Ant -1,2 (HD Digital)	Standard
Background Opacity	Translucent	Input 1,2,3	Standard
<b>V-Chip Lock Menu</b>		Comp-1,2,3	Standard
V-Chip	Off	HDMI-1,2 (Video)	Standard
TV Rating	TV-PG	HDMI-2(PC)	Standard
FV-Fantasy Violence	Enable	Card Reader Video	Standard
D-Sexual Dialog	Enable	Analog PC (v31 ONLY)	Standard

**AV RESET DEFAULT SETTINGS (By Input)**

A/V Memory	Ant 1/2	INPUTS 1/2/3	Component 1/2/DTV	1394 when connected	HDMI 1/2 (Video)	HDMI-2 (PC) Analog PC*	Card 1~4
Bright/Natural	Bright	Bright	Bright	Bright	Bright	N/A	Bright
Bright Contrast	MAX	MAX	MAX	MAX	MAX	MAX	MAX
Bright Brightness	Center	Center	Center	Center	Center	Center	Center
Color	Center	Center	Center	Center	Center	N/A	Center
Tint	Center	Center	Center	Center	Center	N/A	Center
Sharpness	Center	Center	Center	Center	Center	N/A	Center
Color Temp.	High	High	High	High	High	High	High
Perfect Color	Manual/Center	Manual/Center	Manual/Center	Manual/Center	Manual/Center	N/A	Manual/Center
Deep Field Imager (V30-V31)	On	On	On	On	On	N/A	On
Video Noise	Standard	Standard	Standard	N/A	Standard	N/A	N/A
TV Film Mode (Auto)	On	On	On	N/A	On	N/A	N/A
SharpEdge (V30-V31)	On	On	On	On	On	N/A	On
Bass	Center	Center	Center	Center	Center	Center	Center
Treble	Center	Center	Center	Center	Center	Center	Center
Balance	Center	Center	Center	Center	Center	Center	Center
Surround	OFF	OFF	OFF	OFF	OFF	OFF	OFF
Listen To	Stereo	N/A	N/A	N/A	N/A	N/A	N/A
Level Sound	On	On	On	On	On	On	On
Language (Digital Only)	English	N/A	N/A	English	N/A	N/A	English
Vertical Position	N/A	N/A	N/A	N/A	N/A	Center	N/A
Horizontal Position	N/A	N/A	N/A	N/A	N/A	Center	N/A
Fine Detail	N/A	N/A	N/A	N/A	N/A	Center	N/A

\*Analog PC mode is only available on V31 models

**A. A/V Memory**

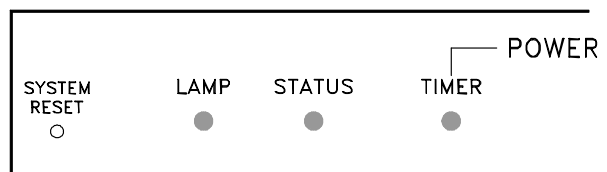
Each of the external inputs has its' own Audio/Video Memory. A change in an A/V setting at a specific input is stored in memory for that specific input.

**B. A/V Reset**

1. Press the GUIDE and FORMAT buttons on the front panel to reset all A/V Memories to the default settings.
2. The AV Reset in the user's menu resets only the selected input's A/V Memory.

**LED Indicator Diagnostics**

The front panel LEDs provide an indication of the sets operation, and the possible cause of a malfunction. There are three front panel LEDs, "Power", "Status" and "Lamp". Which LED is lit, the color and whether it is blinking or steady indicate the current status, or a possible malfunction.



**Normal LED Indications**

POWER LED	STATUS LED	LAMP LED	Power Status	Condition
Off	Off	Off	Stby	Off
Green	Off	Off	P-ON	Power On
Off	Off	Blinks Green	After Turn Off	Lamp Fan On for 1 minute
Blinks Green	Off	Off	Stby	Booting after AC applied
Slo Blinks Green	Off	Off	Stby	On Timer is set

**Abnormal LED Indications**

POWER LED	STATUS LED	LAMP LED	Power Status	Condition
Off	Yellow	Off	Low Power	Excess Temperature
Off or On	Off	Yellow	No change	120w usage time over 7000 Hrs. 150W usage time over 3500 Hrs.
Off	Off	Blinks Yellow	Low Power	Lamp Cover open
Off	Blinks Yellow	Off	"	Filter Cover Open
Off	Off	Red	Stby	Lamp did not turn On
Off	Blinks Red	Off	Low Power	Fan Stopped
Off	Red	Off	"	Circuit failure (short or DVI connector unplugged)

**3. Error Code Operational Check**

**Note:** The TV must be in "Shut Down" and not have been switched Off, to perform the Error Code Operational Check. When the TV is switched Off, the code automatically resets to "12" No Error.

Pressing the front panel "DEVICE" and "MENU" buttons at the same time, and holding for 5 seconds, activates the Error Code Mode. The LED flashes denoting a two digit Error Code, or indicating no problem has occurred since the last Initialization.

**Note:** The front panel buttons must be used, NOT those on the Remote Control.

- The number of flashes indicates the value of the MSD (tens digit) of the Error Code.
  - The flashing then pauses for approximately 1/2 second.
  - The LED then flashes indicating the value of the LSD (ones digit) of the Error Code.
  - The Error Code is repeated a total of 5 times.
- Example: If the Error Code is "23", the LED will flash two times, pause, and then flash three times.

**4. Error Codes**

The Error Code designations indicating malfunction, or no malfunction, are listed below:

Error Codes	Description
12	No error detected
22	Recovery from Reset
32	Lamp cover is Open
34	Lamp abnormality
35	DM Fan failed (Chassis Fan)
36	Exhaust or Lamp Ballast Fan failed
37	DMD Engine Fan failed
38	Lamp temperature abnormally high
39	DMD temperature abnormally high
41	Short is detected (Standby Power Supplies)
42	Lamp Fan failed
44	DVI cable between Format and Engine disconnected
46	DMD Fan failed (JC connector disconnected)
47	DM Temperature too high
48	Engine power supply short detected
51	Speaker Drive circuit short detected
52	HDD excess temperature (V30+ & V31 only)
55	HDD Fan Stopped (V30+ & V31 onlyt)

## Remote Control Operational Modes

There are two Remote Hand Unit Operational Modes, "Standard" and "NetCommand". The Remote is initially in the "Standard" mode. The "NetCommand" mode is used when controlling Home Theater devices using NetCommand. To change the Remote Operational Mode:

- Set the Remote to the TV Layer
- Point the Remote away from the TV.
- To change to "Netcommand" ... Hold the "Power" button and press "9-3-5" in sequence.
- To change to "Standard" ... Hold the "Power" button and press "0-0-0" in sequence.

# SERVICE ADJUSTMENTS

There are only 5 Service Adjustments required in these models:

## Two Electrical Adjustments

- Horizontal Centering
- Vertical Centering

## Three Mechanical Adjustment

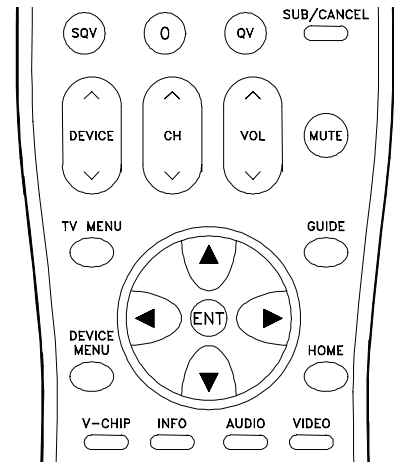
- Picture Rotation
- Horizontal Keystone Distortion
- Vertical Keystone Distortion

## Measuring equipment and Jigs

- No additional Test Equipment is required.
- Conventional Electrical Hand Tools.

## Test signal

An internally generated Test Signal is used, no additional external signals are required.



## Circuit Adjustment Mode

On these models, the Circuit Adjustment Mode is used only for:

- Test Signal activation
- Horizontal Centering
- Vertical Centering the following adjustments may only be performed using the remote hand unit.

### 1. Activating the adjustment mode

1. Press the "MENU" button on a remote hand unit. (The "MENU" display will appear.)
2. Press the buttons "2", "4", "5" and "7" in that order. (The screen will change to the adjustment mode.)  
If not changed to the adjustment mode, repeat steps 1 and 2.

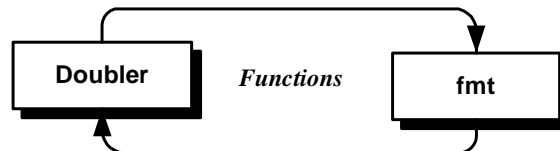
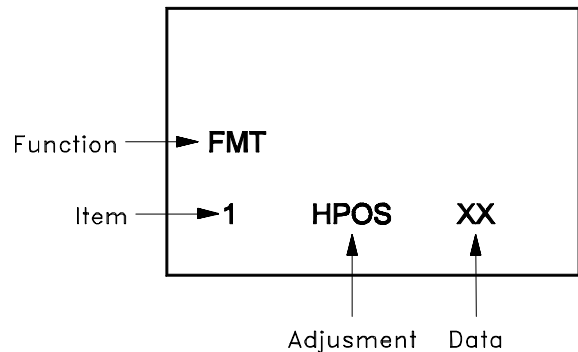
### 2. Test Signal Activation

When in the Circuit Adjustment mode, press "REWIND" on the remote control to activate the test pattern. This pattern is used for both electrical and mechanical adjustments.

### 3. Adjustment Function Selection

Use the "AUDIO" button to select a specific Adjustment Function.

MENU-2-4-5-7





### 3. Adjustment Selection

Use the “VIDEO” button to select a specific electrical adjustment, “1 HPOS” or “2 VPOS”.

### 4. Adjusting Data

After selecting an adjustment item, use the “UP” and “DN” buttons to change adjustment data.

<sup>a</sup> If the “UP” button is pressed, the adjustment data increases.

<sup>a</sup> If the “DN” button is pressed, the adjustment data decreases.

### 5. Saving data

Press “ENTER” to save the adjustment data in memory.

The display characters go red for approx. one second in this step.

**Note:** If the circuit adjustment mode is terminated without pressing “ENTER”, changes in adjustment data are not saved.

### 6. Terminating the circuit adjustment mode

Press the “MENU” button on the remote hand unit twice to terminate the adjustment mode.

**Note:** The adjustment mode can be also terminated by turning the power off.

## Resetting Data to Factory Values

- 1) Enter the Service Adjustment Mode ... Press “MENU-2-4-5-7”
- 2) Press “0” when in the Service Mode ... Three choices appear at the top of the screen.

#### Data Transfer

MENU-2-4-5-7-0

Display	Description
Copy Engine E2PROM to DM	Transfers Engine data to DM E2PROM
Restore Backup	Restores data to factory values
UPLOAD TERMINAL BOARD DATA	DO NOT USE
Download WB Alignment to FMT	Transfers Engine data to FMT

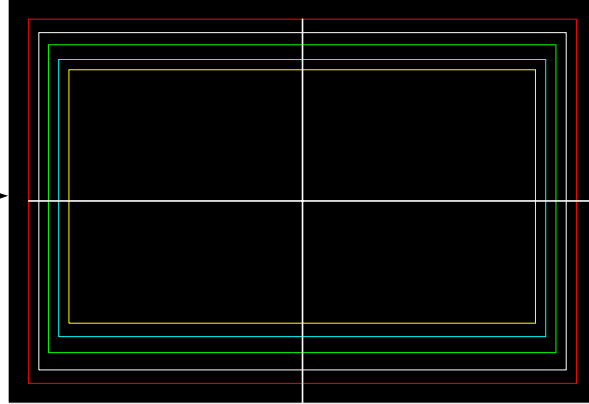
- 3) User UP & DN keys to highlight the desired choice, the Press “ENTER”

# Optical Engine Adjustments

## Test Signal Activation

- 1) Press "MENU-2-4-5-7" (Service Mode)
- 2) Press "REW" (Test Pattern).

Red = 4% overscan  
 White = 5% overscan  
 Green = 6% overscan  
 Cyan = 7% overscan  
 Yellow = 10% overscan



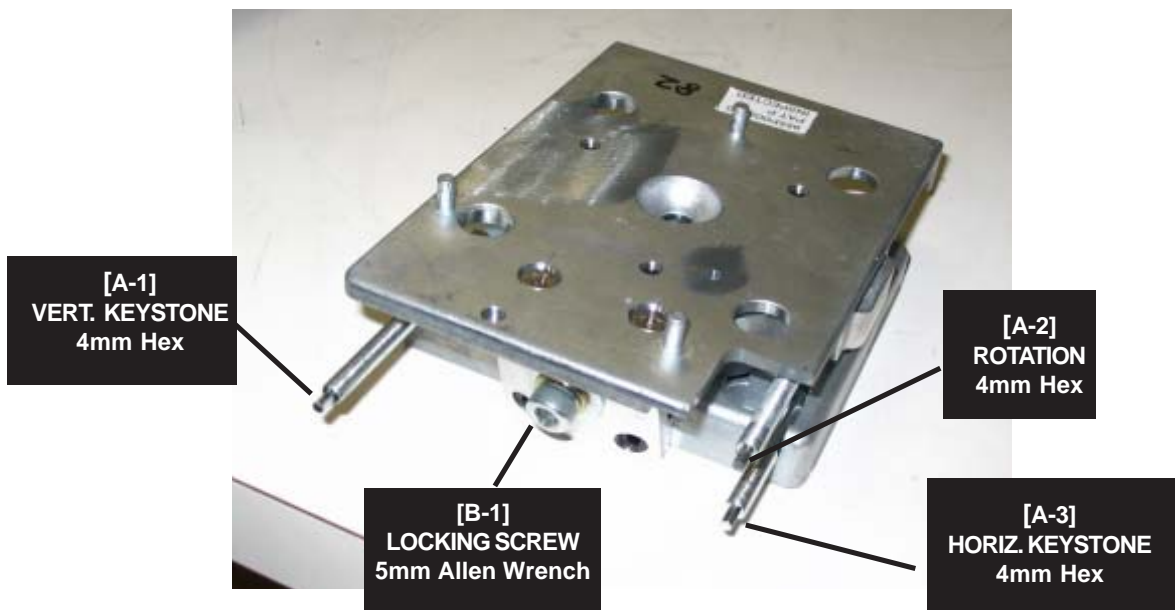
## Required Tools

- 4mm Hex Wrench (10 inches long minimum)
- 5mm Allen Wrench (10 inches long minimum)
- 10mm Hex or Phillips driver.

## Preliminary

Mechanical Optical Engine Adjustments are made using the UNIT-ADJUSTER shown in *Figure 1*. The UNIT-ADJUSTER is mounted under the Light Engine on the Engine Plate. It is accessed from the front of the set through the opening for the Card Reader. Refer to the model specific Disassembly Instructions and remove the:

- Back Cover
- Speaker Grille
- Card Reader



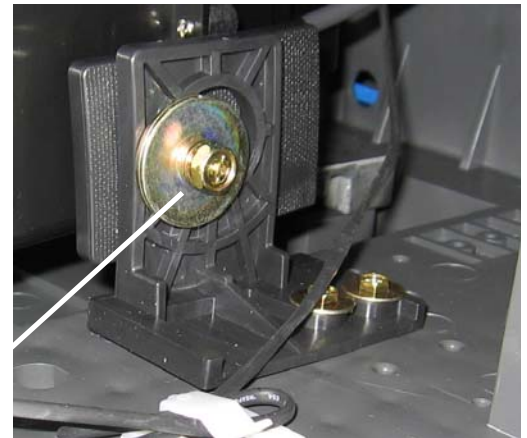
*Figure 1: Unit-Adjuster*

## Locking Screws and Wedge Removal

Before mechanical adjustments can be made, locking screw [B-1] and [B-2] must be loosened.

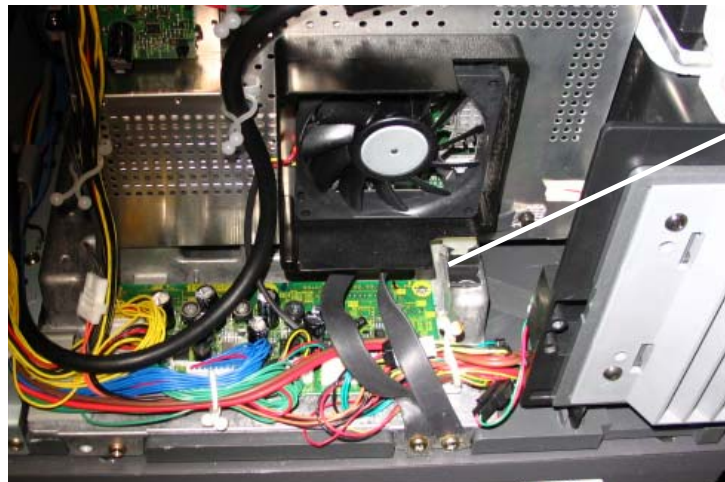
- [B-1] is located on the front of the UNIT-ADJUSTER. (Figure 1)
- [B-2] is accessible from the rear of the unit on the right side of the Optical Engine (from the rear). (Figure 2)
- Remove the rubber wedge shown in Figure 3. (52 inch and 62 inch models Only)

**WARNING:** DO NOT loosen [B-2] too far. The nut on the other side may drop off. Then the Optical Engine must be removed to re-install the nut.



[B-2]

Figure 2: Side Locking Screw



WEDGE

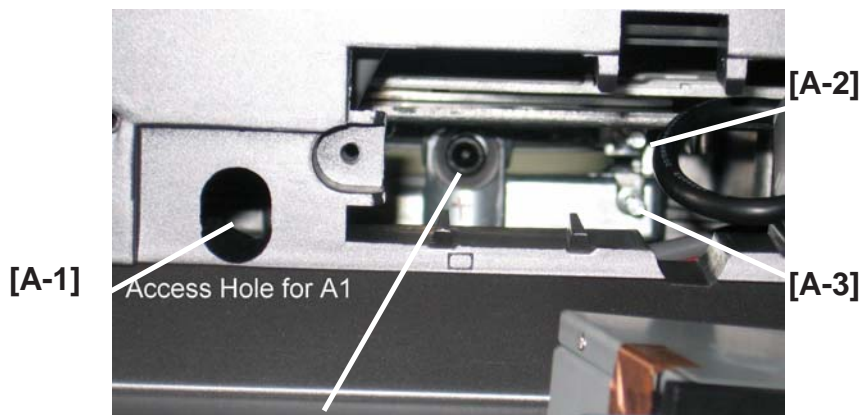
Figure 3: Rubber Wedge (52 and 62 inch models only)

## ADJUSTMENT PROCEDURES

### Adjustment Locations

The Mechanical Adjustments are accessed through the opening for the Card Reader. Locations of the Adjustments are shown in Figure 3.

**CAUTION:** Do Not force an adjustment past the end of its range, UNIT-ADJUSTER damage may result.



[A-1]

Access Hole for A1

[A-2]

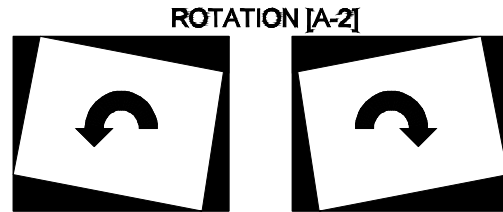
[A-3]

[B-1]

Figure 4: Adjustment

### Rotation Adjustment

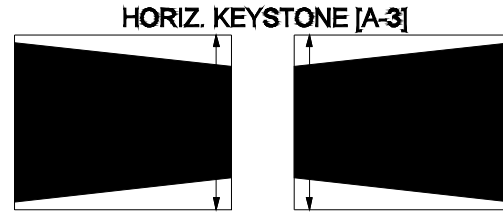
Adjust [A-2] to remove any picture rotation



### Horizontal Keystone Adjustment

Adjust [A-3] to remove horizontal keystone distortion.

**NOTE:** Vertical Positioning may shift



### Vertical Keystone Adjustment

Adjust [A-1] To remove vertical keystone distortion. [A-1] can only be accessed by the front access hole shown above.

**NOTE:** Horizontal Positioning may shift.

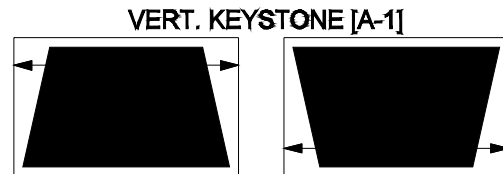


Figure 5: Adjustments

### After Adjustment

- 1) Slide the rubber wedge under the Engine slowly until it makes solid contact. (See Figures 3 & 6)
- 2) Tighten side Locking Screw [B-2]. (Figure 2)
- 3) Check the Picture, re-adjustment may be required (usually rotation).
- 4) Tighten front Locking screw [B-1]. (Figure 3)



Figure 6: Wedge Insertion

### Electrical Adjustments

<b>[Format Circuit]</b>		<b>Purpose:</b> To center the picture on the screen. <b>Symptom:</b> Picture is off center.
<b>Horizont/Vertical Positi0n Adjust-ment</b>		
<b>Measuring Instrument</b>		<ol style="list-style-type: none"> <li>1. Press "MENU-2-4-5-7", activates the Service Mode..</li> <li>2. Select the "FORMAT" function (AUDIO button).</li> <li>3. Press "REWIND", activates the Overscan Test Pattern</li> <li>4. Select "Item 1" HPOS (VIDEO button).</li> <li>5. Use the ADJUST buttons to center the picture horizontally.</li> <li>6. Press ENTER to save the new setting.</li> <li>7. Select "Item 2" VPOS (VIDEO button).</li> <li>8. Use the ADJUST buttons to center the picture vertically.</li> <li>9. Press ENTER to save the new setting.</li> <li>10. Press MENU to exit the Service Mode.</li> </ol>
<b>Test Point</b>	----	
<b>Ext. Trigger</b>	-----	
<b>Measuring Range</b>	-----	
<b>Input Signal</b>	Internal Test Patern.	
<b>Input Terminal</b>	Video	



## Using Lead Free Solder

The above symbol indicates Lead (Pb) Free solder was used during the construction of PWBs. **Only Lead Free solder** should be used when servicing these PWBs.

Solder must be compatible with that used by the manufacturer. Leaded solder can not be used on PWBs manufactured with Pb-free solder. The Mitsubishi standard for service requires the use of Tin-Silver-Copper (Sn-96.5, Ag-3.0, Cu-0.5). It can be obtained through the Parts Department.

Order part number: **PB FREE SOLDER**

Lead Free solder has a higher melting point, and does not “wet” as well as leaded solder. This means it does not adhere as readily to the solder iron tip, and the surface to be soldered. To counteract this, the flux used is more corrosive.

The following cautions must be taken when using Pb Free solder.

- Higher temperatures can cause the PWB to warp, detaching surface mount components.
- Higher temperatures may cause thermal damage to components.
- Higher temperatures can cause plastics, such as connectors, relays, LEDs electrolytic capacitors, etc. to melt or warp.
- Higher temperatures can cause surface oxidation resulting in poor solder spread-ability and wet-ability.

- The flux is more corrosive.
- The time required for a good solder connection may take longer.
- Poor wet-ability can cause solder balls.
- Higher temperatures can cause flux spattering.
- Soldering iron tip life is shortened.
- Dull finish solder joints (not shiny) can appear to be a “cold” solder joint.

In general a tip temperature of 700° F will usually provide good results.

### Displays used to indicate Pb-free

PCBs will be marked, indicating the level of Pb-free construction. *Table 1* defines the levels by phase and shows the different symbols that will be displayed on the PCB. Additionally, a PCB constructed using Pb-free solder may be simply marked **LFS**.

When possible, the indication will be placed close to the part number that is screened onto the PCB (not the part label). *Figure 1* is an example of a PCB showing the display and its location.

Pb-Free Phase	Definition	Display	Short Display (When the area is too small)
Phase-1	PCB's constructed using Pb-free solder.		
Phase-2	Solder, PCB surface finishing and component lead plating is Pb-free. Components may have internal Pb.		
Phase-3	Solder, PCB surface finishing and components are Pb-free. (100% Pb-free)		

Table 1: Pb-Free Phases and Symbols



Figure 2: Pb-Free display on PWB



## CHIP PARTS REPLACEMENT

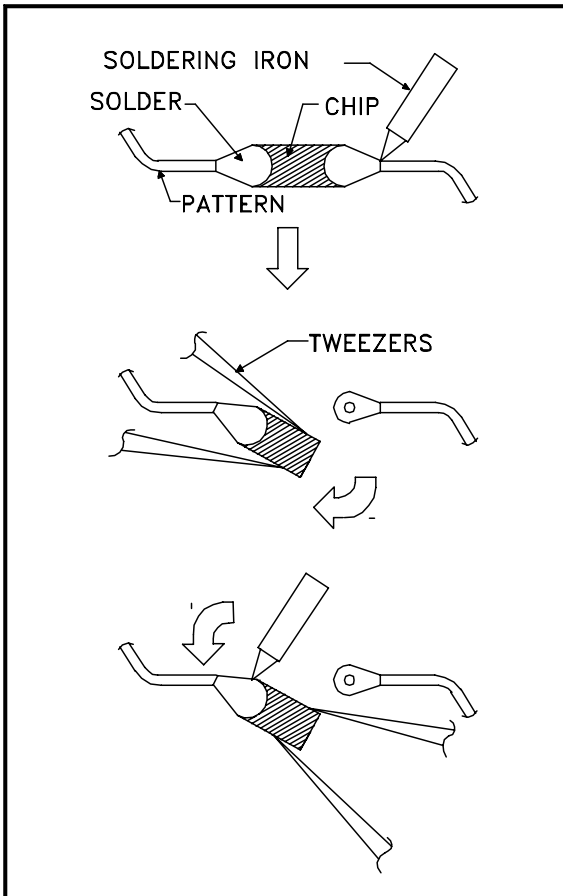
Some resistors, shorting jumpers (0 Ohm resistors), ceramic capacitors, transistors and diodes are chip parts. The following precautions should be taken when replacing these parts.

**Cautions:**

1. Use a fine tipped, well insulated soldering iron and tweezers.
2. Melt the solder and remove the chip parts carefully so as not to tear the copper foil from the printed circuit board.
3. Discard removed chips; do not reuse them.
4. Do not apply heat for more than 3 (three) seconds to new chip parts.
5. Avoid using a rubbing stroke when soldering.
6. Take care not to scratch, or damage the chip parts when soldering.
7. Supplementary cementing is not required.

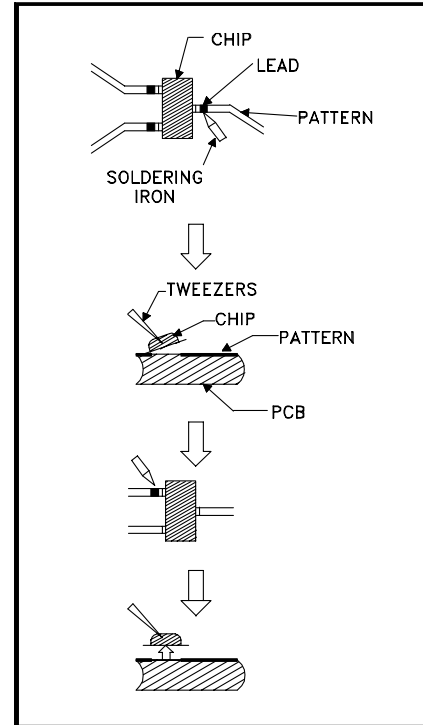
**Chip Parts Removal (Resistors, Capacitors, etc.)**

1. Grasp the part with tweezers. Melt the solder at both sides alternately, and remove one side of the part with a twisting motion.
2. Melt the solder at the other side and remove the part.



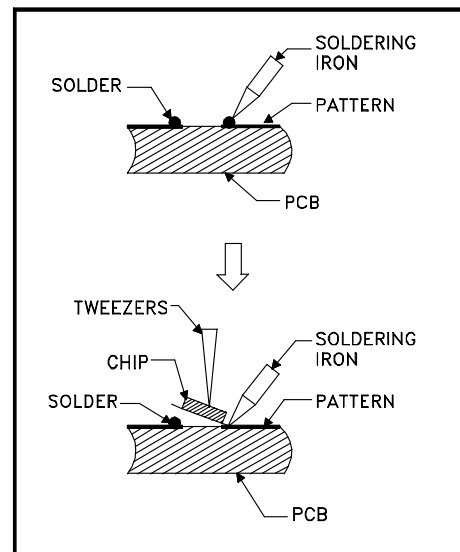
**Chip Parts Removal (Transistors)**

1. Melt the solder of one lead and lift the side of that lead upward.
2. Simultaneously melt the solder of the other two leads and lift the part from the PCB.



**Replacement**

1. Presolder the contact points on the circuit pattern.
2. Press the part downward with tweezers and apply the soldering iron as shown.





## REPLACEMENT PARTS

### Parts Ordering

To expedite delivery of replacement parts orders, specify the following:

1. Model Number/Serial Number
2. Part Number and description
3. Quantity

**Note:** Unless complete information is supplied, delay in processing of orders will result.

### Critical and Warranty Parts Designation

**Critical Electrical Components** are indicated by **Bold Type** in the Parts List, and in the schematic diagrams by shading.

**Warranty Return Parts** are indicated in the Parts List with an (\*).

### Parts Tolerance Codes

Refer to the following chart for tolerance characteristics of electrical components.

MARK	B	C	D	F	G	J	K
Tolerance %	± 0.1	± 0.25	± 0.5	± 1	± 2	± 5	± 10

MARK	M	N	V	X	Z	P	Q
Tolerance %	± 20	± 30	± 10	+ 40 -20	+ 80 -20	+ 100 - 0	+ 30 -10

MARK	M	N	V	X	Z
Tolerance (pF)	± 0.1	± 0.25	± 0.5	± 1	± 2

## QUICK REFERENCE FOR COMMON PARTS

### Major PWB Assemblies

PWBs	PART NO.	MODELS
ASSY-PWB-POWER2	934C159001	WD-52627 / 52628 / 62627 / 62628 / 73727
	934C159002	WD-62827 / 62927 / 73827 / 73927
ASSY-PWB-TERMINAL	934C150005	WD-52627 / 52628 / 62627 / 62628 / 73727
	934C150006	WD-62827 / 62927 / 73827 / 73927
ASSY-PWB-MICRO	934C151005	WD-52627 / 52628 / 62627 / 62628 / 73727
	934C151006	WD-62827 / 62927 / 73827 / 73927
ASSY-PWB-DM	934C152005	WD-52627 / 62627
	934C152006	WD-52628 / 62628 / 72727
	934C152007	WD-62827 / 62927 / 73827 / 73927
ASSY-PWB-V29FMT	934C160001	WD-52627 / 52628 / 62627 / 62628 / 62827 / 73727 / 73827
	934C160002	WD-62927 / 73927
ASSY-PWB-RISER	934C154002	WD-52627 / 52628 / 62627 / 62628 / 73727
	934C154005	WD-62827 / 62927 / 73827 / 73927
ASSY-PWB-DEM0D1	935D819001	All models
ASSY-PWB-DEM0D2	935D839001	WD-62827 / 62927 / 73827 / 73927
ASSY-ENG-POWER	955C283001	All models

### OPTICAL COMPONENTS

Component	Part No.	Models
LIGHT ENGINE	938P017010	WD-52627 / 52628
	938P017020	WD-62627 / 62628
	938P019020	WD-62827 / 62927
	938P019010	WD-73727 / 73827 / 73927
PWB-BALLAST	938P018010	WD-62827 / 62927 / 73727 / 73827 / 73927
	939P978020	WS-52627 / 52628 / 62627 / 62628
LAMP CARTRIDGE	915P026010	WS-52627 / 52628 / 62627 / 62628
	915P027010	WD-62827 / 62927 / 73727 / 73827 / 73927

### MIRROR & SCREEN PARTS

MODEL	MIRROR	LENTICULAR SCREEN	FRESNEL LENS	DIAMOND SHIELD
WD-52627	767D079010	491P178040	491P177040	-
WD-52628	"	"	"	-
WD-62627	767D079020	492P178030	491P177030	-
WD-62628	"	"	"	-
WD-62827	"	"	"	760D656010
WD-62927	"	"	"	760D656030
WD-73727	767D079030	491P176050	491P175050	-
WD-73827	"	"	"	-
WD-73927	"	"	"	760D656040

### MISCELLANEOUS PARTS

CHASSIS	Chassis Fan	Lamp Fan	DMD Fan	Ballast Fan	Remote Control
V29	299P288010	299P298010	299P299010	299P278020	290P122020
V30 / V30+ / V31	"	"	"	"	290P123020

**MODELS: WD-52627 / 52628 / 62627 / 62628 / 62827 / 62927 / 73727 / 73827 / 73927**

**[#] Model Legend: (a) WD-52627, (b) WD-52628, (c) WD-62627, (d) WD-62628, (e) WD-62827, (f) WD-62927, (g) WD-73727, (h) WD-73827, (i) WD-73927**

Ref #	Part #	Part Name & Description	[#]	Ref #	Part #	Part Name & Description	[#]
<b>INTEGRATED CIRCUITS</b>							
IC101	266P419040	IC - M5223AFP		IC7P01	276P204020	IC-C-MOS - PIC18F2510I/SO	
IC102	266P419040	IC - M5223AFP		IC7P02	276P064010	IC-C-MOS - SN74LVC1G125DBV	
IC105	276P089010	IC-C-MOS - TC7W66FU	efhi	IC7P03	263P154010	IC-C-MOS - SN74HC132DB	
IC106	276P089010	IC-C-MOS - TC7W66FU		IC7P04	271P023010	IC - SN74CBTD1G125DBVR	
IC107	261P839010	TR-CHIP - TPCP8J01		IC7P05	276P064010	IC-C-MOS - SN74LVC1G125DBV	
IC1501	276P212010	IC-C-MOS - UPC3221GV		IC7R01	276P281010	IC-C-MOS - SN74LVC2GU04DBVR	
IC1505	271P130010	IC-C-MOS - T313R100-CG0521		IC7R02	275P443010	IC-C-MOS - TC7SET08H	
IC1506	271P156010	IC - MIC49150WR TR		IC7R03	270P706010	IC - MAX823	
IC1507	271P072040	IC - LD29150DT18R		IC7R04	271P023010	IC - SN74CBTD1G125DBVR	
IC1601	276P212010	IC-C-MOS - UPC3221GV	efhi	IC7R05	276P108030	IC-C-MOS - M306H2FCFP-V261	
IC1606	271P156010	IC - MIC49150WR TR	efhi	IC7R06	271P023010	IC - SN74CBTD1G125DBVR	
IC1607	271P072040	IC - LD29150DT18R	efhi	IC7R07	271P023010	IC - SN74CBTD1G125DBVR	
IC2000	276P203010	IC-C-MOS - Sil9021CTU144		IC7R08	276P064010	IC-C-MOS - SN74LVC1G125DBV	
IC2001	275P981010	IC-C-MOS - 24LCS22AT/SN		IC7R09	276P064010	IC-C-MOS - SN74LVC1G125DBV	
IC2002	271P172010	IC - CM1213-04MS		IC8001	276P030030	IC-C-MOS - 215H31AGA12H	
IC2003	271P172010	IC - CM1213-04MS		IC8002	270P706020	IC - MAX823REUK	
IC2101	275P981010	IC-C-MOS - 24LCS22AT/SN		IC8003	276P064010	IC-C-MOS - SN74LVC1G125DBV	
IC2102	271P172010	IC - CM1213-04MS		IC8004	276P064010	IC-C-MOS - SN74LVC1G125DBV	
IC2103	271P172010	IC - CM1213-04MS		IC8006	270P880010	IC - 24LC64I/SN	
IC2401	276P109010	IC-C-MOS - CS4334-KS		IC8008	276P214010	IC-C-MOS - SN74LVC2G125DCUR	
IC2600	271P152010	IC-C-MOS - MAX7454UUP+		IC8009	276P064010	IC-C-MOS - SN74LVC1G125DBV	
IC2C01	276P020010	IC-C-MOS - SN74LVC2G14DBVR	efhi	IC80E1	275P657050	IC-C-MOS - 24LC256T-I/SN	
IC2C02	276P064010	IC-C-MOS - SN74LVC1G125DBV		IC80E2	271P150010	IC - 24LC512T-I/SM	
IC2C03	276P064010	IC-C-MOS - SN74LVC1G125DBV		IC80E3	270P880010	IC - 24LC64I/SN	
IC2C04	275P989010	IC-C-MOS - MAX3223ECAP	efhi	IC8101	271P033010	IC - LP2996MRX	
IC2K01	271P139010	IC - AN15865A		IC8102	276P029030	IC-C-MOS - NT5DS16M16CS-5T	ac
IC2K02	271P139010	IC - AN15865A		IC8103	276P029030	IC-C-MOS - NT5DS16M16CS-5T	ac
IC2K03	272P951010	IC - BA7046F		IC8104	276P029030	IC-C-MOS - NT5DS16M16CS-5T	ac
IC2K04	276P237010	IC-C-MOS - SN74HC4066PWR		IC8105	276P029030	IC-C-MOS - NT5DS16M16CS-5T	ac
IC3E00	271P080010	IC - TDA8922J		IC8205	276P042010	IC-C-MOS - MIC2544-1BM	
IC3E01	271P138010	IC - LV1115		IC8211	276P029030	IC-C-MOS - NT5DS16M16CS-5T	ac
IC3J01	271P140010	IC - MM1631XJBE		IC8212	276P029030	IC-C-MOS - NT5DS16M16CS-5T	ac
IC3J02	270P838010	IC-C-MOS - NJM2520M		IC8280	276P215010	IC-C-MOS - DS1337U+T&R	
IC3J03	270P838010	IC-C-MOS - NJM2520M		IC8301	275P677010	IC-C-MOS - SN74LVC573APWR	
IC3J04	271P078010	IC - MM1566AJBE		IC8303	275P677010	IC-C-MOS - SN74LVC573APWR	
IC7A00	276P244030	IC-C-MOS - M306V7FGFP#U0-V281		IC8304	275P956030	IC-C-MOS - MD5811-D256-V3Q18-P	
IC7A01	271P023010	IC - SN74CBTD1G125DBVR		IC8305	275P677010	IC-C-MOS - SN74LVC573APWR	
IC7A02	270P706020	IC - MAX823REUK		IC8306	276P198010	IC-C-MOS - MAS3507D-QG	
IC7A03	275P786010	IC-C-MOS - TC7SA08FU		IC8307	276P199010	IC-C-MOS - ST16C654CQ64TR-F	
IC7A29	271P023010	IC - SN74CBTD1G125DBVR		IC8308	275P677010	IC-C-MOS - SN74LVC573APWR	
IC7C81	271P081010	IC - BA00CC0WFP		IC8309	275P464010	IC-C-MOS - TC7WH14FK	
IC7E00	276P238010	IC-C-MOS - SN74LVC14APWR		IC8310	276P064010	IC-C-MOS - SN74LVC1G125DBV	
IC7E01	276P197010	IC-C-MOS - AD9981KST-80		IC8311	275P913010	IC-C-MOS - SN74LVC257APWR	
IC7E03	270P992010	IC - BA18BC0FP		IC8312	276P148030	IC-C-MOS - LC4128V-75TN100CS3248	
IC7E05	270P992030	IC - BA33BC0FP-E2		IC8313	276P200010	IC-C-MOS - CS4344-CZZ	
IC7E06	276P237010	IC-C-MOS - SN74HC4066PWR		IC8314	276P200010	IC-C-MOS - CS4344-CZZ	
IC7EA1	267P176020	HIC - AF-1477		IC8315	270P938010	IC - MC33202D	
IC7EB0	276P146010	IC-C-MOS - CS5340-CZR		IC8316	270P938010	IC - MC33202D	
IC7EB1	270P938010	IC - MC33202D		IC8317	276P239010	IC-C-MOS - SN74LVC74APWR	
IC7G01	275P982020	IC-C-MOS - MT48LC2M32B2P-7		IC8401	276P193010	IC-C-MOS - MN864620	ac
IC7G02	270P348010	IC - TLC2932IPW		IC8402	276P246010	IC-C-MOS - M12L16161A-7T	
IC7G03	270P992030	IC - BA33BC0FP-E2		IC8403	275P686010	IC-C-MOS - TSB41AB3PFP	
IC7G04	275P236020	IC-C-MOS - TC74LVX244FT		IC8403	275P686010	IC-C-MOS - TSB41AB3PFP	ac
IC7G05	274P901010	IC-C-MOS - TC74HCT7007AF		IC8404	271P155010	IC - MM1661FTRE	ac
IC7G06	270P879030	IC - SC1566I5M-2.5TR		IC8501	276P202020	IC-C-MOS - ICS443M-20LFT	
IC7G07	275P982020	IC-C-MOS - MT48LC2M32B2P-7		IC8502	275P124040	IC-C-MOS - SN74LVC245APWR	
IC7G08	276P194010	IC-C-MOS - MB87S1270PB-ES		IC8503	275P677010	IC-C-MOS - SN74LVC573APWR	
IC7K21	270P831010	IC-C-MOS - OPA2350PA		IC8505	275P677010	IC-C-MOS - SN74LVC573APWR	
				IC8506	276P065030	IC-C-MOS - CIMAX SP2 PBF	
				IC8507	275P913010	IC-C-MOS - SN74LVC257APWR	

**MODELS: WD-52627 / 52628 / 62627 / 62628 / 62827 / 62927 / 73727 / 73827 / 73927**

[#] Model Legend: (a) WD-52627, (b) WD-52628, (c) WD-62627, (d) WD-62628, (e) WD-62827, (f) WD-62927, (g) WD-73727, (h) WD-73827, (i) WD-73927

Ref #	Part #	Part Name & Description	[#]
IC8508	275P675010	IC-C-MOS - SN74LV125APWR	
IC8510	275P464010	IC-C-MOS - TC7WH14FK	
IC8511	271P171010	IC - MIC2040-1YMM	
IC8512	271P171010	IC - MIC2040-1YMM	
IC8513	271P171010	IC - MIC2040-1YMM	
IC8600	275P980010	IC-C-MOS - SAA7115HL	efhi
IC8601	275P982020	IC-C-MOS - MT48LC2M32B2P-7	efhi
IC8602	276P111010	IC-C-MOS - AK5353VT	efhi
IC8603	276P112010	IC-C-MOS - BCM7040 KQL	efhi
IC8604	270P992010	IC - BA18BC0FP	efhi
IC8A00	271P131010	IC - AD9888KSZ-100	abcdegh
IC8A00	271P131030	IC - AD9888KSZ-170	fi
IC8A01	276P018020	IC-C-MOS - SN74LVC157APWR	
IC8A02	276P217010	IC-C-MOS - SN74LVT245BPWR	
IC8A03	275P981010	IC-C-MOS - 24LCS22AT/SN	fi
IC8E01	271P133010	IC - MB8751340PB-ES	
IC8E03	276P251010	IC-C-MOS - EDS6432AFTA-6BE	
IC8F01	271P148010	IC - Si1116OCTU	
IC8G01	276P210030	IC-C-MOS - M30833FJFP#U5-V291	
IC8G02	275P657050	IC-C-MOS - 24LC256T-I/SN	
IC8G05	271P149010	IC-C-MOS - M62368GP#CFOJ	
IC8G07	276P064010	IC-C-MOS - SN74LVC1G125DBV	
IC8G08	276P214010	IC-C-MOS - SN74LVC2G125DCUR	
IC8G09	276P213010	IC-C-MOS - SN74LVC1G17-DCKR	
IC8K01	271P132010	IC - MB87S1330PB-GE1	
IC8K02	275P982030	IC-C-MOS - MT48LC2M32B2P-5	fi
IC8K02	276P251010	IC-C-MOS - EDS6432AFTA-6BE	abcdegh
IC8K03	275P982030	IC-C-MOS - MT48LC2M32B2P-5	fi
IC8K03	276P251010	IC-C-MOS - EDS6432AFTA-6BE	abcdegh
<b>IC9A10</b>	<b>267P175010</b>	<b>HIC - STR-W6735</b>	
IC9A22	271P147010	IC - NJM2374AM	
IC9A23	271P145010	IC - BD9702T-V5	
IC9A25	271P081010	IC - BA00CC0WFP	efhi
IC9C00	271P071020	IC - BA09SFP	
IC9C10	271P071020	IC - BA09SFP	
IC9C20	270P677020	IC - BA05FP	
IC9C51	271P072020	IC - LD29150DT33	
IC9C71	271P071010	IC - BA033SFP	
IC9C81	271P072040	IC - LD29150DT18R	
IC9F00	271P141010	IC - TPS40071PWPR	
IC9G01	271P141010	IC - TPS40071PWPR	
IC9G21	271P141010	IC - TPS40071PWPR	
IC9G22	270P879030	IC - SC1566I5M-2.5TR	
IC9G23	271P072040	IC - LD29150DT18R	
IC9G24	270P879030	IC - SC1566I5M-2.5TR	
IC9G41	271P141010	IC - TPS40071PWPR	
IC9G70	270P992050	IC - BA90BC0FP-E2	
IC9H01	270P992010	IC - BA18BC0FP	
IC9H02	270P992030	IC - BA33BC0FP-E2	
IC9H03	270P879020	IC - SC1566I5M-1.8.TR	
IC9H04	270P992030	IC - BA33BC0FP-E2	
IC9H05	270P992030	IC - BA33BC0FP-E2	
IC9J01	276P238010	IC-C-MOS - SN74LVC14APWR	
IC9J02	276P238010	IC-C-MOS - SN74LVC14APWR	
IC9J03	270P884010	IC - SI-8050JD	
IC9J04	270P884010	IC - SI-8050JD	
IC9J05	270P884010	IC - SI-8050JD	

Ref #	Part #	Part Name & Description	[#]
<b>TRANSISTORS</b>			
<b>CHIP Type Transistors (Listed by Part No.)</b>			
	<u>Part No.</u>	<u>Description</u>	
	261P837010	UPA672T	
	261P839010	TPCP8J01	
	261P842020	2SC3052-T112-1F	
	261P842030	2SC3052-T112-1G	abcdg
	261P842080	2SC3052-T112-1E;F	
	261P843010	2SA1235A-T112-1E	
	261P843020	2SA1235-T112-1F	
	261P843080	2SA1235-T112-1E;F	
	261P844010	RT1N436C-T112-1	efhi
	261P845010	RT1P241C-T112-1	
	261P846010	TPCP8402	
	261P851010	Si78720PT1E3	
	261P852010	Si7336ADPT1E3	
	261P853010	Si7390DPT1E3	
<b>TRANSISTORS</b>			
<b>Conventional Transistors (By Ref #)</b>			
<u>Ref #</u>	<u>Part #</u>	<u>Part Name &amp; Description</u>	<u>[#]</u>
Q1501	261P026020	TR - 2SC3356-T1B-A	
Q1502	261P026020	TR - 2SC3356-T1B-A	
Q1503	261P026020	TR - 2SC3356-T1B-A	
Q1601	261P026020	TR - 2SC3356-T1B-A	efhi
Q1602	261P026020	TR - 2SC3356-T1B-A	efhi
Q1603	261P026020	TR - 2SC3356-T1B-A	efhi
Q2E01	261P114010	TR - 2SA1585STPR	
<b>DIODES</b>			
D1501	262P071070	DIODE-LE - SML-210FT	
D1601	262P832010	D-LE-CHIP - CL-270F-CD-TS	efhi
D2001	262P828010	D-CHIP - MC2838-T112-1	
D2002	262P828010	D-CHIP - MC2838-T112-1	
D2003	262P828010	D-CHIP - MC2838-T112-1	
D2021	262P805050	D-CHIP - UDZS5.1B	
D2101	262P828010	D-CHIP - MC2838-T112-1	
D2102	262P828010	D-CHIP - MC2838-T112-1	
D2103	262P828010	D-CHIP - MC2838-T112-1	
D2121	262P805050	D-CHIP - UDZS5.1B	
D2E00	262P075010	DIODE - RSB6.8S	
D2E01	262P075010	DIODE - RSB6.8S	
D2J01	262P075010	DIODE - RSB6.8S	
D2J02	262P075010	DIODE - RSB6.8S	
D2J03	264P828010	D-CHIP - DAN202U/MA142WK	
D2J04	262P075010	DIODE - RSB6.8S	
D2J05	262P075010	DIODE - RSB6.8S	
D2J06	262P075010	DIODE - RSB6.8S	
D2J07	262P075010	DIODE - RSB6.8S	
D2J91	262P075010	DIODE - RSB6.8S	
D2J92	262P075010	DIODE - RSB6.8S	
D2J93	262P075010	DIODE - RSB6.8S	
D3E00	262P828010	D-CHIP - MC2838-T112-1	
D3E01	262P828010	D-CHIP - MC2838-T112-1	
D7A44	262P828010	D-CHIP - MC2838-T112-1	
D7A73	262P828010	D-CHIP - MC2838-T112-1	
D7K21	268P100010	DIODE-PHOTO - SFH235FA	
D7K22	262P828010	D-CHIP - MC2838-T112-1	





**MODELS: WD-52627 / 52628 / 62627 / 62628 / 62827 / 62927 / 73727 / 73827 / 73927**

[#] Model Legend: (a) WD-52627, (b) WD-52628, (c) WD-62627, (d) WD-62628, (e) WD-62827, (f) WD-62927, (g) WD-73727, (h) WD-73827, (i) WD-73927

Ref #	Part #	Part Name & Description	[#]
L1604	409P777080	EMI-F-CHIP - BLM21P221S	efhi
L1608	409P865070	EMI-F-CHIP - BLM11P300S	efhi
L1609	409P865070	EMI-F-CHIP - BLM11P300S	efhi
L1612	409P865070	EMI-F-CHIP - BLM11P300S	efhi
L1613	409P865070	EMI-F-CHIP - BLM11P300S	efhi
L1615	409P865070	EMI-F-CHIP - BLM11P300S	efhi
L1616	409P865070	EMI-F-CHIP - BLM11P300S	efhi
L1617	409P777080	EMI-F-CHIP - BLM21P221S	efhi
L1619	409P865070	EMI-F-CHIP - BLM11P300S	efhi
L1620	409P865070	EMI-F-CHIP - BLM11P300S	efhi
L2018	409P777080	EMI-F-CHIP - BLM21P221S	
L2118	409P777080	EMI-F-CHIP - BLM21P221S	
L2201	409P777080	EMI-F-CHIP - BLM21P221S	
L2202	409P865020	EMI-F-CHIP - BLM11A601S	
L2203	409P865020	EMI-F-CHIP - BLM11A601S	
L2207	409P777080	EMI-F-CHIP - BLM21P221S	
L2213	409P777080	EMI-F-CHIP - BLM21P221S	
L2216	409P777080	EMI-F-CHIP - BLM21P221S	
L2219	409P777080	EMI-F-CHIP - BLM21P221S	
L2222	409P777080	EMI-F-CHIP - BLM21P221S	
L2235	409P777080	EMI-F-CHIP - BLM21P221S	
L2237	409P777080	EMI-F-CHIP - BLM21P221S	
L2238	409P777080	EMI-F-CHIP - BLM21P221S	
L2255	409P777080	EMI-F-CHIP - BLM21P221S	
L2287	409P777080	EMI-F-CHIP - BLM21P221S	
L2289	409P777080	EMI-F-CHIP - BLM21P221S	
L2294	409P777080	EMI-F-CHIP - BLM21P221S	
L2295	409P865020	EMI-F-CHIP - BLM11A601S	
L2296	409P865020	EMI-F-CHIP - BLM11A601S	
L2334	409P777080	EMI-F-CHIP - BLM21P221S	
L2337	409P777080	EMI-F-CHIP - BLM21P221S	
L2401	409P865020	EMI-F-CHIP - BLM11A601S	
L2402	409P865020	EMI-F-CHIP - BLM11A601S	
L2403	409P865020	EMI-F-CHIP - BLM11A601S	
L2404	409P865020	EMI-F-CHIP - BLM11A601S	
L2600	409P777080	EMI-F-CHIP - BLM21P221S	
L2C01	325C411090	COIL-CHIP - 33MH-J	efhi
L2C02	409P876020	EMI-F-CHIP - CNF20C470S/CKD510JB1H470Sefhi	
L2C03	409P876020	EMI-F-CHIP - CNF20C470S/CKD510JB1H470Sefhi	
L2C04	409P876020	EMI-F-CHIP - CNF20C470S/CKD510JB1H470Sefhi	
L2C11	409P777080	EMI-F-CHIP - BLM21P221S	ac
L2C11	409P777080	EMI-F-CHIP - BLM21P221S	
L2E00	409P876040	EMI-F-CHIP - CNF20C221S/CKD510JB1H221S	
L2E01	409P876040	EMI-F-CHIP - CNF20C221S/CKD510JB1H221S	
L2J01	409P923060	EMI-F-CHIP - BLM21B272S	
L2J02	409P777080	EMI-F-CHIP - BLM21P221S	
L2J03	409P923060	EMI-F-CHIP - BLM21B272S	
L2J04	409P923060	EMI-F-CHIP - BLM21B272S	
L2J05	409P923060	EMI-F-CHIP - BLM21B272S	
L2J06	409P923060	EMI-F-CHIP - BLM21B272S	
L2J07	409P923060	EMI-F-CHIP - BLM21B272S	
L2J08	409P923060	EMI-F-CHIP - BLM21B272S	
L2J09	409P777080	EMI-F-CHIP - BLM21P221S	
L2K01	409P777080	EMI-F-CHIP - BLM21P221S	
L2K02	409P777080	EMI-F-CHIP - BLM21P221S	
L2K03	409P777080	EMI-F-CHIP - BLM21P221S	
L2K04	409P777080	EMI-F-CHIP - BLM21P221S	
L2K05	325C420070	COIL-CHIP - 10MH-K	
L2K06	409P777080	EMI-F-CHIP - BLM21P221S	

Ref #	Part #	Part Name & Description	[#]
2K07	409P777080	EMI-F-CHIP - BLM21P221S	
2K08	409P777080	EMI-F-CHIP - BLM21P221S	
2K09	409P777080	EMI-F-CHIP - BLM21P221S	
2K10	325C420070	COIL-CHIP - 10MH-K	
2K11	325C411030	COIL-CHIP - 10MH-J	
2K12	325C411030	COIL-CHIP - 10MH-J	
2K13	325C411030	COIL-CHIP - 10MH-J	
2K14	325C411030	COIL-CHIP - 10MH-J	
2K15	325C421040	COIL-CHIP - 150MH-K LOW-R	
2K16	325C421040	COIL-CHIP - 150MH-K LOW-R	
2M00	321C114010	COIL-RF - 2200MH-J	
2M01	325C411030	COIL-CHIP - 10MH-J	
2M20	325C411030	COIL-CHIP - 10MH-J	
2M21	321C114010	COIL-RF - 2200MH-J	
3E25	325C502010	COIL-CHIP - SLF12575T-330M3R2-H	
3E26	325C502010	COIL-CHIP - SLF12575T-330M3R2-H	
3E51	411D009020	CORE-FERRITE - ZBF503D-01	
3E52	411D009020	CORE-FERRITE - ZBF503D-01	
3E60	409P865080	EMI-F-CHIP - BLM18PG6	
7A16	409P777050	EMI-F-CHIP - BLM21B201S	
7A73	409P865060	EMI-F-CHIP - BLM11B141S	
7A89	409P777050	EMI-F-CHIP - BLM21B201S	
7A99	409P777050	EMI-F-CHIP - BLM21B201S	
7C84	409P865080	EMI-F-CHIP - BLM18PG6	
7E00	325C420070	COIL-CHIP - 10MH-K	
7E01	325C420070	COIL-CHIP - 10MH-K	
7E02	409P777080	EMI-F-CHIP - BLM21P221S	
7E03	409P865090	EMI-F-CHIP - BLM11A121S	
7E04	409P865090	EMI-F-CHIP - BLM11A121S	
7E05	409P865090	EMI-F-CHIP - BLM11A121S	
7E06	409P865090	EMI-F-CHIP - BLM11A121S	
7E13	409P865080	EMI-F-CHIP - BLM18PG6	
7E17	409P777080	EMI-F-CHIP - BLM21P221S	
7E18	409P777080	EMI-F-CHIP - BLM21P221S	
7E19	409P777080	EMI-F-CHIP - BLM21P221S	
7EA0	325C420070	COIL-CHIP - 10MH-K	
7EB0	325C420070	COIL-CHIP - 10MH-K	
7EB1	409P777080	EMI-F-CHIP - BLM21P221S	
7EB2	409P777080	EMI-F-CHIP - BLM21P221S	
7G01	325C420070	COIL-CHIP - 10MH-K	
7G02	409P865080	EMI-F-CHIP - BLM18PG6	
7G03	409P777080	EMI-F-CHIP - BLM21P221S	
7G04	409P865080	EMI-F-CHIP - BLM18PG6	
7G05	409P777080	EMI-F-CHIP - BLM21P221S	
7G06	409P777080	EMI-F-CHIP - BLM21P221S	
7G07	409P865080	EMI-F-CHIP - BLM18PG6	
7G08	409P865080	EMI-F-CHIP - BLM18PG6	
7G09	409P865080	EMI-F-CHIP - BLM18PG6	
7G10	409P777080	EMI-F-CHIP - BLM21P221S	
7G11	409P865080	EMI-F-CHIP - BLM18PG6	
7G12	409P865020	EMI-F-CHIP - BLM11A601S	
7G13	409P865080	EMI-F-CHIP - BLM18PG6	
7K01	409P777080	EMI-F-CHIP - BLM21P221S	
7P00	409P923060	EMI-F-CHIP - BLM21B272S	
7P14	409P777050	EMI-F-CHIP - BLM21B201S	
7P20	409P777050	EMI-F-CHIP - BLM21B201S	
7R01	409P777080	EMI-F-CHIP - BLM21P221S	
7R02	409P777080	EMI-F-CHIP - BLM21P221S	
7T01	409P777080	EMI-F-CHIP - BLM21P221S	
7T01	409P777080	EMI-F-CHIP - BLM21P221S	ac



**MODELS: WD-52627 / 52628 / 62627 / 62628 / 62827 / 62927 / 73727 / 73827 / 73927**

**[#] Model Legend: (a) WD-52627, (b) WD-52628, (c) WD-62627, (d) WD-62628, (e) WD-62827, (f) WD-62927, (g) WD-73727, (h) WD-73827, (i) WD-73927**

Ref #	Part #	Part Name & Description	[#]	Ref #	Part #	Part Name & Description	[#]
L7T02	351P265010	COIL-CHOKE-CHIP - ACM2012	ac	L8011	409P865080	EMI-F-CHIP - BLM18PG6	
L7T02	351P265010	COIL-CHOKE-CHIP - ACM2012		L8012	409P865080	EMI-F-CHIP - BLM18PG6	
L7T03	409P777080	EMI-F-CHIP - BLM21P221S	ac	L8013	409P865080	EMI-F-CHIP - BLM18PG6	
L7T03	409P777080	EMI-F-CHIP - BLM21P221S		L8280	409P865080	EMI-F-CHIP - BLM18PG6	
L7T04	409P777080	EMI-F-CHIP - BLM21P221S	ac	L8301	409P865080	EMI-F-CHIP - BLM18PG6	
L7T05	351P265010	COIL-CHOKE-CHIP - ACM2012	ac	L8306	409P865080	EMI-F-CHIP - BLM18PG6	
L7T06	409P777080	EMI-F-CHIP - BLM21P221S	ac	L8307	409P865080	EMI-F-CHIP - BLM18PG6	
L7T07	409P865060	EMI-F-CHIP - BLM11B141S	abcdg	L8308	409P865080	EMI-F-CHIP - BLM18PG6	
L7T07	409P865060	EMI-F-CHIP - BLM11B141S	acefhi	L8309	409P865080	EMI-F-CHIP - BLM18PG6	
L7T08	409P865060	EMI-F-CHIP - BLM11B141S	abcdg	L8310	409P865080	EMI-F-CHIP - BLM18PG6	
L7T08	409P865060	EMI-F-CHIP - BLM11B141S	acefhi	L8311	409P865080	EMI-F-CHIP - BLM18PG6	
L7T09	409P865060	EMI-F-CHIP - BLM11B141S	abcdg	L8312	409P865080	EMI-F-CHIP - BLM18PG6	
L7T09	409P865060	EMI-F-CHIP - BLM11B141S	acefhi	L8313	409P865080	EMI-F-CHIP - BLM18PG6	
L7T10	409P865060	EMI-F-CHIP - BLM11B141S	abcdg	L8314	409P865080	EMI-F-CHIP - BLM18PG6	
L7T10	409P865060	EMI-F-CHIP - BLM11B141S	acefhi	L8315	409P865080	EMI-F-CHIP - BLM18PG6	
L7T11	409P865060	EMI-F-CHIP - BLM11B141S	abcdg	L8317	409P865080	EMI-F-CHIP - BLM18PG6	
L7T11	409P865060	EMI-F-CHIP - BLM11B141S	acefhi	L8318	409P865080	EMI-F-CHIP - BLM18PG6	
L7T12	409P865060	EMI-F-CHIP - BLM11B141S	abcdg	L8319	409P865080	EMI-F-CHIP - BLM18PG6	
L7T12	409P865060	EMI-F-CHIP - BLM11B141S	acefhi	L8320	409P865080	EMI-F-CHIP - BLM18PG6	
L7T13	409P865060	EMI-F-CHIP - BLM11B141S	abcdg	L8321	409P865080	EMI-F-CHIP - BLM18PG6	
L7T13	409P865060	EMI-F-CHIP - BLM11B141S	acefhi	L8322	409P865090	EMI-F-CHIP - BLM11A121S	
L7T14	409P865060	EMI-F-CHIP - BLM11B141S	abcdg	L83A1	409P865080	EMI-F-CHIP - BLM18PG6	
L7T14	409P865060	EMI-F-CHIP - BLM11B141S	acefhi	L83B3	325C501010	COIL-CHIP - ALQM21NNR47K10	
L7T15	409P865060	EMI-F-CHIP - BLM11B141S	abcdg	L8401	351P265020	COIL-CHIP - ACM2012-201-2P	0ac
L7T15	409P865060	EMI-F-CHIP - BLM11B141S	acefhi	L8402	351P265020	COIL-CHIP - ACM2012-201-2P	0ac
L7T16	409P865060	EMI-F-CHIP - BLM11B141S	abcdg	L8403	409P777080	EMI-F-CHIP - BLM21P221S	ac
L7T16	409P865060	EMI-F-CHIP - BLM11B141S	acefhi	L8404	409P777080	EMI-F-CHIP - BLM21P221S	ac
L7T17	409P865060	EMI-F-CHIP - BLM11B141S	abcdg	L8405	351P284010	COIL-CHOKE-CHIP - TCM1210-201-2P-T000	
L7T17	409P865060	EMI-F-CHIP - BLM11B141S	acefhi	L8406	351P284010	COIL-CHOKE-CHIP - TCM1210-201-2P-T000	
L7T18	409P865060	EMI-F-CHIP - BLM11B141S	abcdg	L8413	351P265020	COIL-CHIP - ACM2012-201-2P	0ac
L7T18	409P865060	EMI-F-CHIP - BLM11B141S	acefhi	L8414	351P265020	COIL-CHIP - ACM2012-201-2P	0ac
L7T19	409P865060	EMI-F-CHIP - BLM11B141S	abcdg	L8415	351P265020	COIL-CHIP - ACM2012-201-2P	0ac
L7T19	409P865060	EMI-F-CHIP - BLM11B141S	acefhi	L8416	351P265020	COIL-CHIP - ACM2012-201-2P	0ac
L7T20	409P865060	EMI-F-CHIP - BLM11B141S	ac	L8501	409P865080	EMI-F-CHIP - BLM18PG6	
L7T21	409P865060	EMI-F-CHIP - BLM11B141S	abcdg	L8502	409P777080	EMI-F-CHIP - BLM21P221S	
L7T21	409P865060	EMI-F-CHIP - BLM11B141S	acefhi	L8503	409P865080	EMI-F-CHIP - BLM18PG6	
L7T22	409P865060	EMI-F-CHIP - BLM11B141S	abcdg	L8504	409P865090	EMI-F-CHIP - BLM11A121S	
L7T22	409P865060	EMI-F-CHIP - BLM11B141S	acefhi	L8505	409P865080	EMI-F-CHIP - BLM18PG6	
L7T23	409P865060	EMI-F-CHIP - BLM11B141S	abcdg	L8507	409P865080	EMI-F-CHIP - BLM18PG6	
L7T23	409P865060	EMI-F-CHIP - BLM11B141S	acefhi	L8508	409P865080	EMI-F-CHIP - BLM18PG6	
L7T24	409P865060	EMI-F-CHIP - BLM11B141S	abcdg	L8509	409P865080	EMI-F-CHIP - BLM18PG6	
L7T24	409P865060	EMI-F-CHIP - BLM11B141S	acefhi	L8510	409P865090	EMI-F-CHIP - BLM11A121S	
L7T26	409P865060	EMI-F-CHIP - BLM11B141S	abcdg	L8511	409P865090	EMI-F-CHIP - BLM11A121S	
L7T26	409P865060	EMI-F-CHIP - BLM11B141S	acefhi	L8512	409P865090	EMI-F-CHIP - BLM11A121S	
L7T27	409P865060	EMI-F-CHIP - BLM11B141S	abcdg	L8600	409P777080	EMI-F-CHIP - BLM21P221S	efhi
L7T27	409P865060	EMI-F-CHIP - BLM11B141S	acefhi	L8601	409P777080	EMI-F-CHIP - BLM21P221S	efhi
L7T28	409P865060	EMI-F-CHIP - BLM11B141S	abcdg	L8602	409P777080	EMI-F-CHIP - BLM21P221S	efhi
L7T28	409P865060	EMI-F-CHIP - BLM11B141S	acefhi	L8603	409P777080	EMI-F-CHIP - BLM21P221S	efhi
L7T29	409P865060	EMI-F-CHIP - BLM11B141S	efhi	L8604	409P777080	EMI-F-CHIP - BLM21P221S	efhi
L7T30	409P865060	EMI-F-CHIP - BLM11B141S	abcdg	L8605	409P777080	EMI-F-CHIP - BLM21P221S	efhi
L7T30	409P865060	EMI-F-CHIP - BLM11B141S	acefhi	L8606	409P777080	EMI-F-CHIP - BLM21P221S	efhi
L8001	409P865080	EMI-F-CHIP - BLM18PG6		L8607	409P777080	EMI-F-CHIP - BLM21P221S	efhi
L8002	409P865080	EMI-F-CHIP - BLM18PG6		L8608	409P777080	EMI-F-CHIP - BLM21P221S	efhi
L8003	409P865080	EMI-F-CHIP - BLM18PG6		L8609	325C420070	COIL-CHIP - 10MH-K	efhi
L8004	409P865080	EMI-F-CHIP - BLM18PG6		L8610	409P777080	EMI-F-CHIP - BLM21P221S	efhi
L8005	409P865080	EMI-F-CHIP - BLM18PG6		L8611	409P777080	EMI-F-CHIP - BLM21P221S	efhi
L8006	409P865080	EMI-F-CHIP - BLM18PG6		L8A01	409P777080	EMI-F-CHIP - BLM21P221S	
L8007	409P865080	EMI-F-CHIP - BLM18PG6		L8A02	409P777080	EMI-F-CHIP - BLM21P221S	
L8008	409P865080	EMI-F-CHIP - BLM18PG6		L8A03	409P777080	EMI-F-CHIP - BLM21P221S	
L8009	409P777080	EMI-F-CHIP - BLM21P221S		L8A07	409P865040	EMI-F-CHIP - BLM11B050SA	fi

**MODELS: WD-52627 / 52628 / 62627 / 62628 / 62827 / 62927 / 73727 / 73827 / 73927**

[#] Model Legend: (a) WD-52627, (b) WD-52628, (c) WD-62627, (d) WD-62628, (e) WD-62827, (f) WD-62927, (g) WD-73727, (h) WD-73827, (i) WD-73927

Ref #	Part #	Part Name & Description	[#]
L8A08	409P865040	EMI-F-CHIP - BLM11B050SA	fi
L8A09	409P865040	EMI-F-CHIP - BLM11B050SA	fi
L8A10	409P865040	EMI-F-CHIP - BLM11B050SA	fi
L8A11	409P865040	EMI-F-CHIP - BLM11B050SA	fi
L8A12	409P865060	EMI-F-CHIP - BLM11B141S	fi
L8A13	409P865060	EMI-F-CHIP - BLM11B141S	fi
L8A16	409P865040	EMI-F-CHIP - BLM11B050SA	
L8A17	409P865040	EMI-F-CHIP - BLM11B050SA	
L8A18	409P865040	EMI-F-CHIP - BLM11B050SA	
L8A19	409P865040	EMI-F-CHIP - BLM11B050SA	
L8A20	409P865040	EMI-F-CHIP - BLM11B050SA	
L8A21	409P777080	EMI-F-CHIP - BLM21P221S	
L8E01	409P777080	EMI-F-CHIP - BLM21P221S	
L8E05	409P777080	EMI-F-CHIP - BLM21P221S	
L8F01	409P777080	EMI-F-CHIP - BLM21P221S	
L8F02	409P777080	EMI-F-CHIP - BLM21P221S	
L8F03	409P777080	EMI-F-CHIP - BLM21P221S	
L8F04	409P777080	EMI-F-CHIP - BLM21P221S	
L8F05	409P777080	EMI-F-CHIP - BLM21P221S	
L8F06	409P865060	EMI-F-CHIP - BLM11B141S	
L8F07	409P865060	EMI-F-CHIP - BLM11B141S	
L8F08	409P865060	EMI-F-CHIP - BLM11B141S	
L8F09	409P865060	EMI-F-CHIP - BLM11B141S	
L8F10	409P865060	EMI-F-CHIP - BLM11B141S	
L8F11	409P865060	EMI-F-CHIP - BLM11B141S	
L8F12	409P865060	EMI-F-CHIP - BLM11B141S	
L8G01	409P777080	EMI-F-CHIP - BLM21P221S	
L8G02	409P777080	EMI-F-CHIP - BLM21P221S	
L8G05	409P777080	EMI-F-CHIP - BLM21P221S	
L8G06	409P777080	EMI-F-CHIP - BLM21P221S	
L8G10	409P865060	EMI-F-CHIP - BLM11B141S	
L8G11	409P865060	EMI-F-CHIP - BLM11B141S	
L8G12	409P865060	EMI-F-CHIP - BLM11B141S	
L8G13	409P865060	EMI-F-CHIP - BLM11B141S	
L8G14	409P865060	EMI-F-CHIP - BLM11B141S	
L8G15	409P865060	EMI-F-CHIP - BLM11B141S	
L8G16	409P865060	EMI-F-CHIP - BLM11B141S	
L8G17	409P865060	EMI-F-CHIP - BLM11B141S	
L8G18	409P865060	EMI-F-CHIP - BLM11B141S	
L8G19	409P865060	EMI-F-CHIP - BLM11B141S	
L8G30	409P865060	EMI-F-CHIP - BLM11B141S	
L8G32	409P865060	EMI-F-CHIP - BLM11B141S	
L8G33	409P865060	EMI-F-CHIP - BLM11B141S	
L8K00	409P777080	EMI-F-CHIP - BLM21P221S	
L8K01	409P777080	EMI-F-CHIP - BLM21P221S	
L8K02	409P777080	EMI-F-CHIP - BLM21P221S	
L8K03	409P777080	EMI-F-CHIP - BLM21P221S	
L9A10	321C151070	COIL-RF - 22MH-K	
L9A19	321C141010	COIL-RF - 6.8MH-M	
L9A20	321C141030	COIL-RF - 10MH-K	
L9A21	321C141030	COIL-RF - 10MH-K	
L9A30	321C141010	COIL-RF - 6.8MH-M	
L9A31	321C140060	COIL-RF - 2.7MH-M	
L9A32	321C140060	COIL-RF - 2.7MH-M	
L9A33	351P276040	COIL-CHOKE-CHIP - GSRH125-4R0M	
L9A34	321C141070	COIL-RF - 22MH-K	
L9A35	321C141010	COIL-RF - 6.8MH-M	
L9A36	321C141070	COIL-RF - 22MH-K	
L9A37	351P277090	COIL-CHOKE-CHIP - GSRH127-221M	
L9A38	321C141070	COIL-RF - 22MH-K	

Ref #	Part #	Part Name & Description	[#]
L9A39	351P277060	COIL-CHOKE-CHIP - GSRH127-470M	
L9A40	321C141030	COIL-RF - 10MH-K	
L9A43	321C141070	COIL-RF - 22MH-K	
L9A50	321C141070	COIL-RF - 22MH-K	
L9A51	321C141070	COIL-RF - 22MH-K	efhi
L9A52	321C141070	COIL-RF - 22MH-K	efhi
L9A53	321C141070	COIL-RF - 22MH-K	
L9A54	321C141070	COIL-RF - 22MH-K	
L9A55	321C141030	COIL-RF - 10MH-K	Oefhi
L9A56	321C141030	COIL-RF - 10MH-K	Oefhi
L9A60	321C141030	COIL-RF - 10MH-K	Oefhi
L9A61	321C141030	COIL-RF - 10MH-K	Oefhi
L9A62	351P277030	COIL-CHOKE-CHIP - GSRH127-7R6M	
L9A63	321C140060	COIL-RF - 2.7MH-M	Oefhi
L9A64	321C140060	COIL-RF - 2.7MH-M	Oefhi
L9C51	409P777080	EMI-F-CHIP - BLM21P221S	
L9C81	409P777080	EMI-F-CHIP - BLM21P221S	
<b>L9D00</b>	<b>351P268010</b>	<b>LINE-FILTER - HF3545-502Y5R0-TXXBH</b>	
<b>L9D02</b>	<b>351P266020</b>	<b>LINE-FILTER - ELF22V025A</b>	
<b>L9D03</b>	<b>351P286010</b>	<b>LINE-FILTER - HF2836-353Y1R0-T01</b>	
L9E20	409P865080	EMI-F-CHIP - BLM18PG6	efhi
L9F00	321C140060	COIL-RF - 2.7MH-M	
L9F01	351P282040	COIL-CHOKE-CHIP - GSRH129-4R0M01	
L9F02	321C140030	COIL-RF - 1.5MH-M	
L9F03	321C140030	COIL-RF - 1.5MH-M	
L9F04	321C140030	COIL-RF - 1.5MH-M	
L9G01	321C141070	COIL-RF - 22MH-K	abcddegh
L9G01	321C141070	COIL-RF - 22MH-K	fi
L9G02	351P276040	COIL-CHOKE-CHIP - GSRH125-4R0M	
L9G03	321C140060	COIL-RF - 2.7MH-M	abcddegh
L9G03	321C140060	COIL-RF - 2.7MH-M	fi
L9G04	321C140060	COIL-RF - 2.7MH-M	abcddegh
L9G04	321C140060	COIL-RF - 2.7MH-M	fi
L9G21	321C141030	COIL-RF - 10MH-K	abcddegh
L9G21	321C141030	COIL-RF - 10MH-K	fi
L9G22	351P276040	COIL-CHOKE-CHIP - GSRH125-4R0M	
L9G23	321C141010	COIL-RF - 6.8MH-M	abcddegh
L9G23	321C141010	COIL-RF - 6.8MH-M	fi
L9G24	321C141010	COIL-RF - 6.8MH-M	abcddegh
L9G24	321C141010	COIL-RF - 6.8MH-M	fi
L9G25	321C141010	COIL-RF - 6.8MH-M	abcddegh
L9G25	321C141010	COIL-RF - 6.8MH-M	fi
L9G41	321C141070	COIL-RF - 22MH-K	abcddegh
L9G41	321C141070	COIL-RF - 22MH-K	fi
L9G42	351P277030	COIL-CHOKE-CHIP - GSRH127-7R6M	
L9G43	321C140060	COIL-RF - 2.7MH-M	abcddegh
L9G43	321C140060	COIL-RF - 2.7MH-M	fi
L9G44	321C140060	COIL-RF - 2.7MH-M	abcddegh
L9G44	321C140060	COIL-RF - 2.7MH-M	fi
L9G70	409P777080	EMI-F-CHIP - BLM21P221S	
L9H01	409P777080	EMI-F-CHIP - BLM21P221S	
L9H02	409P777080	EMI-F-CHIP - BLM21P221S	
L9J01	351P244010	COIL-CHOKE - CD-C-1010-101	
L9J02	351P244010	COIL-CHOKE - CD-C-1010-101	
L9J03	351P244010	COIL-CHOKE - CD-C-1010-101	
L9J04	321C142030	COIL-RF - 68MH-K	
L9J05	321C142030	COIL-RF - 68MH-K	
L9J06	321C142030	COIL-RF - 68MH-K	
LC8701	409P945010	EMI-F-CHIP - NFL21SP506X13CD	
LC8702	409P945010	EMI-F-CHIP - NFL21SP506X13CD	

**MODELS: WD-52627 / 52628 / 62627 / 62628 / 62827 / 62927 / 73727 / 73827 / 73927**

**[#] Model Legend: (a) WD-52627, (b) WD-52628, (c) WD-62627, (d) WD-62628, (e) WD-62827, (f) WD-62927, (g) WD-73727, (h) WD-73827, (i) WD-73927**

Ref #	Part #	Part Name & Description	[#]
LC8703	409P944010	EMI-F-CHIP - NFL21SP107X1	
LC8704	409P944010	EMI-F-CHIP - NFL21SP107X1	
LC8705	409P944010	EMI-F-CHIP - NFL21SP107X1	
LC8706	409P944010	EMI-F-CHIP - NFL21SP107X1	
LC8707	409P945010	EMI-F-CHIP - NFL21SP506X13CD	
LC8708	409P945010	EMI-F-CHIP - NFL21SP506X13CD	
LC8709	409P945010	EMI-F-CHIP - NFL21SP506X13CD	
LC8710	409P945010	EMI-F-CHIP - NFL21SP506X13CD	
LC8711	409P945010	EMI-F-CHIP - NFL21SP506X13CD	
LC8712	409P945010	EMI-F-CHIP - NFL21SP506X13CD	
LC8713	409P944010	EMI-F-CHIP - NFL21SP107X1	
LC8714	409P945010	EMI-F-CHIP - NFL21SP506X13CD	
LC8715	409P945010	EMI-F-CHIP - NFL21SP506X13CD	
LC8716	409P944010	EMI-F-CHIP - NFL21SP107X1	
LC8717	409P944010	EMI-F-CHIP - NFL21SP107X1	
LC8718	409P944010	EMI-F-CHIP - NFL21SP107X1	
LC8719	409P944010	EMI-F-CHIP - NFL21SP107X1	
LC8720	409P945010	EMI-F-CHIP - NFL21SP506X13CD	
LC8721	409P945010	EMI-F-CHIP - NFL21SP506X13CD	
LC8722	409P945010	EMI-F-CHIP - NFL21SP506X13CD	
LC8723	409P945010	EMI-F-CHIP - NFL21SP506X13CD	
LC8724	409P945010	EMI-F-CHIP - NFL21SP506X13CD	
LC8725	409P945010	EMI-F-CHIP - NFL21SP506X13CD	
T2001	409P961010	CHIP-FILTER - ACM2012D-9002P	
T2002	409P961010	CHIP-FILTER - ACM2012D-9002P	
T2003	409P961010	CHIP-FILTER - ACM2012D-9002P	
T2004	409P961010	CHIP-FILTER - ACM2012D-9002P	
T2101	409P961010	CHIP-FILTER - ACM2012D-9002P	
T2102	409P961010	CHIP-FILTER - ACM2012D-9002P	
T2103	409P961010	CHIP-FILTER - ACM2012D-9002P	
T2104	409P961010	CHIP-FILTER - ACM2012D-9002P	
<b>TRANSFORMERS</b>			
<b>T9A10</b>	<b>350P833010</b>	<b>TRANS-PWR - SRW42EC-U15V117</b>	
<b>VARIABLE RESISTORS</b>			
<b>RV9D00</b>	<b>265P100020</b>	<b>VAR - ERZV10D271CS</b>	
<b>RV9D01</b>	<b>265P100020</b>	<b>VAR - ERZV10D271CS</b>	
<b>RESISTORS</b>			
<b>CHIP Type Resistors (Listed by Value)</b>			
Part No.	Value	Part No.	Value
103P509050	1/16W 0OHM	103P502050	1/16W 1K-J
103P409050	1/8W 0OHM	103P504090	1/16W 100K-J
103P408040	1/10W 2.2-J	103P497050	1/16W 120K-F
103P508040	1/16W 2.2-J	103P505000	1/16W 120K-J
103P488080	1/4W 4.7-J	103P497080	1/16W 160K-F
103P409000	1/10W 6.8-J	103P497090	1/16W 180K-F
103P500010	1/16W 10-J	103P505020	1/16W 180K-J
103P400020	1/10W 12-J	103P505030	1/16W 220K-J
103P400050	1/10W 22-J	103P498020	1/16W 240K-F
103P500050	1/16W 22-J	103P498050	1/16W 330K-F
103P910050	1/16W 22-Jx4	103P505060	1/16W 390K-J
103P500060	1/16W 27-J	103P505070	1/16W 470K-J
103P500070	1/16W 33-J	103P499010	1/16W 560K-F
103P910070	1/16W 33-Jx4	103P506000	1/16W 820K-J
103P793080	1/16W 36F	103P506010	1/16W 1M-J
103P500080	1/16W 39-J	103P813020	1/16W 2K-D
103P910090	1/16W 47-J	103P493020	1/16W 2K-F

Ref #	Part #	Part Name & Description	[#]	
	<u>Part No.</u>	<u>Value</u>	<u>Part No.</u>	<u>Value</u>
	103P400090	1/10W 47-J	103P493030	1/16W 2.2K-F
	103P794010	1/16W 47-F	103P502090	1/16W 2.2K-J
	103P500090	1/16W 47-J	103P493050	1/16W 2.7K-F
	103P401000	1/10W 56-J	103P503000	1/16W 2.7K-J
	103P844030	1/16W 56-D	103P493060	1/16W 3K-F
	103P501000	1/16W 56-J	103P493070	1/16W 3.3K-F
	103P911000	1/16W 56-Jx4	103P503010	1/16W 3.3K-J
	103P501010	1/16W 68-J	103P493080	1/16W 3.6K-F
	103P794060	1/16W 75-F	103P493090	1/16W 3.9K-F
	103P509090	1/16W 75-J	103P503020	1/16W 3.9K-J
	103P489090	1/4W 75-J	103P494000	1/16W 4.3K-F
	103P794070	1/16W 82-F	103P494010	1/16W 4.7K-F
	103P501020	1/16W 82-J	103P503030	1/16W 4.7K-J
	103P490010	1/16W 100F	103P494020	1/16W 5.1K-F
	103P501030	1/16W 100-J	103P494030	1/16W 5.6K-F
	103P401030	1/10W 100-J	103P503040	1/16W 5.6K-J
	103P401050	1/10W 150-J	103P814040	1/16W 6.2K-D
	103P810050	1/16W 150-D	103P494050	1/16W 6.8K-F
	103P501050	1/16W 150-J	103P494070	1/16W 8.2K-F
	103P490080	1/16W 200-F	103P503060	1/16W 8.2K-J
	103P490090	1/16W 220-F	103P494080	1/16W 9.1K-F
	103P501070	1/16W 220-J	103P474060	1/10W 7.5K-F
	103P911070	1/16W 220-Jx4	103P494090	1/16W 10K-F
	103P481070	1/4W 220-J	103P503070	1/16W 10K-J
	103P491010	1/16W 270-F	103P913070	1/16W 10K-Jx4
	103P501080	1/16W 270-J	103P495000	1/16W 11K-F
	103P491020	1/16W 300-F	103P495010	1/16W 12K-F
	103P501090	1/16W 330-J	103P503080	1/16W 12K-J
	103P491050	1/16W 390-F	103P495020	1/16W 13K-F
	103P502000	1/16W 390-J	103P495030	1/16W 15K-F
	103P491060	1/16W 430-F	103P475030	1/8W 15K-F
	103P502010	1/16W 470-J	103P503090	1/16W 15K-J
	103P471070	1/8W 470-F	103P495050	1/16W 18K-F
	103P491080	1/16W 510-F	103P504000	1/16W 18K-J
	103P491090	1/16W 560-F	103P495070	1/16W 22K-F
	103P502020	1/16W 560-J	103P504010	1/16W 22K-J
	103P471090	1/8W 560-F	103P495090	1/16W 27K-F
	103P492000	1/16W 620-F	103P504020	1/16W 27K-J
	103P492010	1/16W 680-F	103P496000	1/16W 30K-F
	103P502030	1/16W 680-J	103P496010	1/16W 33K-F
	103P492030	1/16W 820-F	103P504030	1/16W 33K-J
	103P502040	1/16W 820-J	103P504040	1/16W 39K-J
	103P492040	1/16W 910-F	103P496040	1/16W 43K-F
	103P492060	1/16W 1.1K-F	103P496050	1/16W 47K-F
	103P492070	1/16W 1.2K-F	103P504050	1/16W 47K-J
	103P502060	1/16W 1.2K-J	103P496070	1/16W 56K-F
	103P492080	1/16W 1.3K-F	103P504060	1/16W 56K-J
	103P492090	1/16W 1.5K-F	103P497000	1/16W 68K-F
	103P502070	1/16W 1.5K-J	103P496090	1/16W 68K-F
	103P493010	1/16W 1.8K-F	103P504070	1/16W 68K-J
	103P502080	1/16W 1.8K-J	103P504080	1/16W 82K-J
	103P492050	1/16W 1K-F		
<b>RESISTORS</b>				
Conventional Resistors (By Ref #)				
Ref #	Part #	Part Name & Description	[#]	
R3E28	103C170050	R-METAL - 1W 22-J		
R3E32	103C170050	R-METAL - 1W 22-J		

**MODELS: WD-52627 / 52628 / 62627 / 62628 / 62827 / 62927 / 73727 / 73827 / 73927**

[#] Model Legend: (a) WD-52627, (b) WD-52628, (c) WD-62627, (d) WD-62628, (e) WD-62827, (f) WD-62927, (g) WD-73727, (h) WD-73827, (i) WD-73927

Ref #	Part #	Part Name & Description	[#]
R7A89	265P809010	THRM-CHIPNCP18XH103F03RB	
R9A01	109P179010	R-CEMENT-PLATE - 6.8-J	
R9A02	109P179010	R-CEMENT-PLATE - 6.8-J	
<b>R9A03</b>	<b>109C010010</b>	<b>R-COMP - 1/2W 1M-K</b>	
<b>R9A05</b>	<b>109C010010</b>	<b>R-COMP - 1/2W 1M-K</b>	
<b>R9A06</b>	<b>109C010010</b>	<b>R-COMP - 1/2W 1M-K</b>	
R9A09	103P145030	R-CARBON - 1/2W 220K-J	
R9A11	103P145030	R-CARBON - 1/2W 220K-J	
R9A13	103C184090	R-METAL - 2W 100K-J	
R9A14	103C184090	R-METAL - 2W 100K-J	
R9A16	103P145020	R-CARBON - 1/2W 180K-J	
R9A17	103P145020	R-CARBON - 1/2W 180K-J	
R9A19	103P144070	R-CARBON - 1/2W 68K-J	
R9A20	103P144070	R-CARBON - 1/2W 68K-J	
R9A21	103C187030	R-METAL - 2W 0.27-J	
R9A22	103C187030	R-METAL - 2W 0.27-J	
R9A25	103P142050	R-CARBON - 1/2W 1K-J	
R9A29	109D151080	R-CARBON - 1/4W 220-J	Oefhi
R9A30	109D151060	R-CARBON - 1/4W 68-J	
R9A36	109D151080	R-CARBON - 1/4W 220-J	Oefhi
R9A52	109D151080	R-CARBON - 1/4W 220-J	
R9A54	109D151080	R-CARBON - 1/4W 220-J	
R9A55	109D151080	R-CARBON - 1/4W 220-J	
R9A56	109D151080	R-CARBON - 1/4W 220-J	Oefhi
R9A64	103P331080	R-CARBON-25 - 1/4W 270-J	
R9A65	103P331080	R-CARBON-25 - 1/4W 270-J	
R9A77	103C392050	R-METAL-P - 3W 1K-J	
R9A78	103C392050	R-METAL-P - 3W 1K-J	
R9A91	103P331080	R-CARBON-25 - 1/4W 270-J	
R9C00	103C398070	R-METAL-P - 3W 3.9-K	
R9C10	103C398070	R-METAL-P - 3W 3.9-K	
R9C20	103C399000	R-METAL-P - 3W 6.8K	
R9C71	103C398010	R-METAL-P - 3W 1.2-K	
R9D00	109D036020	R-COMP - 1/2W 4.7M-K	
R9F16	109D151080	R-CARBON - 1/4W 220-J	

**CAPACITORS**

CHIP Type Capacitors (Listed by Value)

Part No.	Value	Part No.	Value
154P340060	CK50V 5P-C	189P245010	0.1M 25V
154P340070	CH50V 6P-C	141P143030	B16V 0.1M-K
154P341010	CH50V 10P-C	141P139030	B25V 0.1M-K
154P351020	SL50V 10P-J	141P146080	B10V 0.47M-K
154P341030	CH50V 12P-J	141P139090	B16V 0.47M-K
154P341050	CH50V 15P-J	141P144010	F50V 0.047M-Z
154P344010	CH50V 180P-J	141P134090	F50V 0.1M-Z
154P341070	CH50V 18P-J	141P144020	F25V 0.1M-Z
154P341090	CH50V 22P-J	141P135000	F25V 0.22M-Z
154P342010	CH50V 27P-J	141P138080	B25V 0.33M-K
154P342030	CH50V 33P-J	141P144040	F25V/16V 0.33M-Z
154P352040	SL50V 33P-J	141P144050	F16V 0.47M-Z
154P342070	CH50V 47P-J	141P135020	F25V 0.47M-Z
154P342090	CH50V 56P-J	141P135070	F16V 1M-Z
154P343010	CH50V 68P-J	141P134070	B16V 1M-K
154P343030	CH50V 82P-J	141P144060	F25V 1M-Z
154P343050	CH50V 100P-J	141P147020	B10V/6.3V 1M-K
154P353060	SL50V 100P-J	181P826010	50V 1M-M 105C
141P140010	B50V 220P-K	181P802040	16V 2.2M-M

Ref #	Part #	Part Name & Description	[#]	
	<u>Part No.</u>	<u>Value</u>	<u>Part No.</u>	<u>Value</u>
	154P354040	SL50V 220P-J	181P806020	50V 2.2M-M
	154P344030	CH50V 220P-J	181P806030	50V 3.3M-M
	154P344050	CH50V 270P-J	181P808070	16V 4.7M-M
	154P344070	CH50V 330P-J	181P824090	35V 4.7M-M 105C
	154P345010	CH50V 470P-J	189P243010	10M 6.3V
	141P140050	B50V 470P-K	189P243020	10M 25V
	141P140060	B50V 560P-K	181P808080	16V 10M-M
	141P140070	B50V 680P-K	181P802030	16V 10M-M
	154P345050	CH25V 680P-J	181P822030	16V 10M-M 105C
	154P345090	CH25V 1000P-J	181P810070	10V 10M-M BP
	141P140090	B50V 1000P-K	181P826050	50V 10M-M 105C
	141P141010	B50V 1500P-K	181P825000	35V 10M-M 105C
	141P141030	B50V 2200P-K	181P820010	6.3V 22M-M 105C
	141P141040	B50V 2700P-K	181P822040	16V 22M-M 105C
	141P141050	B50V 3300P-K	181P832030	16V 33M-M BP 105C
	141P141070	B50V 4700P-K	181P802060	16V 47M-M
	141P141080	B50V 5600P-K	181P820030	6.3V 47M-M 105C
	141P142000	B50V 8200P-K	181P800030	6.3V 47M-M
	172P391030	16V 0.01M-J	181P822060	16V 47M-M 105C
	141P142010	B50V 0.01M-K	181P800040	6.3V 100M-M
	141P133080	B50V 0.01M-Z	181P802070	16V 100M-M
	141P143080	F50V 0.01M-Z	181P822070	16V 100M-M 105C
	141P132030	B50V 0.015M-K	181P824010	25V 100M-M 105C
	141P142040	B50/25/16V 0.018M-K	181P828000	4V 100M-M 105C
	141P137040	B50V 0.022M-K	181P820040	6.3V 100M-M 105C
	141P142070	B25V 0.033M-K	181P800060	6.3V 220M-M
	141P142090	B25V 0.047M-K	181P828010	4V 220M-M 105C
	172P392030	16V 0.068M-J	181P820050	6.3V 220M-M 105C

**CAPACITORS AND TRIMMERS**

Conventional Capacitors (By Ref #)

Ref #	Part #	Part Name & Description	[#]
C112	181P181000	C-ELEC - 10V 330M-M 105C	
C117	181P181000	C-ELEC - 10V 330M-M 105C	
C2E01	181P352050	C-ELEC - 16V 220M-M	
C2L05	181P355050	C-ELEC - 50V 10M-M	
C2L06	181P352010	C-ELEC - 16V 22M-M	
C2L07	181P355050	C-ELEC - 50V 10M-M	
C2L08	181P122070	C-ELEC-NP - 25V 10M-M	
C2L09	181P355050	C-ELEC - 50V 10M-M	
C2L10	181P122070	C-ELEC-NP - 25V 10M-M	
C2L11	181P355050	C-ELEC - 50V 10M-M	
C2L12	181P122070	C-ELEC-NP - 25V 10M-M	
C2L13	181P355050	C-ELEC - 50V 10M-M	
C2L14	181P122070	C-ELEC-NP - 25V 10M-M	
C2L17	181P352040	C-ELEC - 16V 100M-M	
C2L18	181P352010	C-ELEC - 16V 22M-M	
C2L19	181P212060	C-ELEC - 16V 47M-M	
C3E50	181P358070	C-ELEC - 63V 22M-M	
C3E51	181P354090	C-ELEC - 35V 470M-M	
C3E52	181P354090	C-ELEC - 35V 470M-M	
C3E53	181P354090	C-ELEC - 35V 470M-M	
C3E54	181P354090	C-ELEC - 35V 470M-M	
C3J23	181P352030	C-ELEC - 16V 47M-M	
C3J25	181P355060	C-ELEC - 50V 22M-M	
C3J26	181P212060	C-ELEC - 16V 47M-M	



**MODELS: WD-52627 / 52628 / 62627 / 62628 / 62827 / 62927 / 73727 / 73827 / 73927**

**[#] Model Legend: (a) WD-52627, (b) WD-52628, (c) WD-62627, (d) WD-62628, (e) WD-62827, (f) WD-62927, (g) WD-73727, (h) WD-73827, (i) WD-73927**

Ref #	Part #	Part Name & Description	[#]	Ref #	Part #	Part Name & Description	[#]
C7E01	181P350060	C-ELEC - 3V 1000M-M		C9E22	181P354050	C-ELEC - 35V 47M-M	efni
C7K01	181P352030	C-ELEC - 16V 47M-M		C9E45	181P735020	C-ELEC - 25V 1000M-M 105C	
C7K21	181P355050	C-ELEC - 50V 10M-M		C9E60	181P735020	C-ELEC - 25V 1000M-M 105C	
C7K23	181P352030	C-ELEC - 16V 47M-M		C9E64	181P733060	C-ELEC - 16V 470M-H 105C LOWR	
C7K28	181P355050	C-ELEC - 50V 10M-M		C9E65	181P733060	C-ELEC - 16V 470M-H 105C LOWR	
C8281	189P197020	C-ELE-DBL-LA - FM0H473Z/EECS5R5T473Z		C9F12	181P735020	C-ELEC - 25V 1000M-M 105C	
C9A00	189P185090	C-CER - AC250V E2200P-M		C9F17	181P732000	C-ELEC - 10V 680M-M 105C	
C9A01	189P185090	C-CER - AC250V E2200P-M		C9F18	181P732000	C-ELEC - 10V 680M-M 105C	
C9A02	185D122050	C-ELEC - H200V 1000M-M		C9G04	181P735020	C-ELEC - 25V 1000M-M 105C	
C9A03	185D122050	C-ELEC - H200V 1000M-M		C9G17	181P732000	C-ELEC - 10V 680M-M 105C	
C9A04	185D127040	C-ELEC - H450V 150M-M 105C		C9G18	181P732000	C-ELEC - 10V 680M-M 105C	
C9A05	189P185090	C-CER - AC250V E2200P-M		C9G24	181P735020	C-ELEC - 25V 1000M-M 105C	
C9A06	189P185090	C-CER - AC250V E2200P-M		C9G37	181P732000	C-ELEC - 10V 680M-M 105C	
C9A08	189P185090	C-CER - AC250V E2200P-M		C9G38	181P732000	C-ELEC - 10V 680M-M 105C	
C9A09	189P185090	C-CER - AC250V E2200P-M		C9G44	181P735020	C-ELEC - 25V 1000M-M 105C	
<b>C9A10</b>	<b>189P185090</b>	<b>C-CER - AC250V E2200P-M</b>		C9G57	181P732000	C-ELEC - 10V 680M-M 105C	
C9A11	189P185090	C-CER - AC250V E2200P-M		C9G58	181P732000	C-ELEC - 10V 680M-M 105C	
<b>C9A13</b>	<b>189P152080</b>	<b>C-M-POLY - AC125/250V 0.015M-M</b>		C9J01	181P356020	C-ELEC - 50V 470M-M	
<b>C9A14</b>	<b>189P152080</b>	<b>C-M-POLY - AC125/250V 0.015M-M</b>		C9J02	181P738010	C-ELEC - 50V 220M-M 105C LOW-R	
<b>C9A15</b>	<b>189P185070</b>	<b>C-CER - AC250V E1000P-M</b>		C9J04	181P356020	C-ELEC - 50V 470M-M	
<b>C9A16</b>	<b>189P185070</b>	<b>C-CER - AC250V E1000P-M</b>		C9J05	181P738010	C-ELEC - 50V 220M-M 105C LOW-R	
C9A19	154P400060	C-CER - B1KV 1500P-K		C9J07	181P356020	C-ELEC - 50V 470M-M	
<b>C9A21</b>	<b>181P185060</b>	<b>C-ELEC - 50V 10M-M 105C</b>		C9J08	181P738010	C-ELEC - 50V 220M-M 105C LOW-R	
C9A25	172P138050	C-POLY - 50V 0.01M-J		C9J15	181P355050	C-ELEC - 50V 10M-M	
C9A26	185D122050	C-ELEC - H200V 1000M-M		C9J16	181P355050	C-ELEC - 50V 10M-M	
C9A27	185D122050	C-ELEC - H200V 1000M-M					
C9A28	154P400060	C-CER - B1KV 1500P-K				<b>SWITCHES</b>	
C9A30	154P400050	C-CER - B1KV 1000P-K		S7F01	434P004010	SW-LEVER	
C9A31	142P010090	C-CER - B500V 470P-K		S7L20	432P109010	SW-KEY BOARD - KSHS611BT	abcd
C9A32	181P735020	C-ELEC - 25V 1000M-M 105C		S7L21	432P109010	SW-KEY BOARD - KSHS611BT	abcd
C9A33	181P735020	C-ELEC - 25V 1000M-M 105C		S7L22	432P109010	SW-KEY BOARD - KSHS611BT	abcd
C9A35	181P735010	C-ELEC - 25V 470M-M		S7L23	432P109010	SW-KEY BOARD - KSHS611BT	abcd
C9A36	181P735020	C-ELEC - 25V 1000M-M 105C		S7L24	432P109010	SW-KEY BOARD - KSHS611BT	abcd
C9A37	181P735020	C-ELEC - 25V 1000M-M 105C		S7L25	432P109010	SW-KEY BOARD - KSHS611BT	abcd
C9A38	181P735020	C-ELEC - 25V 1000M-M 105C		S7L26	432P109010	SW-KEY BOARD - KSHS611BT	abcd
C9A39	181P184070	C-ELEC - 35V 2200M-M		S7L27	432P109010	SW-KEY BOARD - KSHS611BT	abcd
C9A40	181P184070	C-ELEC - 35V 2200M-M		S7L28	432P109010	SW-KEY BOARD - KSHS611BT	abcd
C9A43	172P166070	C-TF - 50V 0.22M-J		S7L29	432P109010	SW-KEY BOARD - KSHS611BT	abcd
C9A45	181P182030	C-ELEC - 16V 1000M-M 105C		S7L70	432P109010	SW-KEY BOARD - KSHS611BT	efghi
C9A46	142P010090	C-CER - B500V 470P-K		S7L71	432P109010	SW-KEY BOARD - KSHS611BT	efghi
C9A47	142P010090	C-CER - B500V 470P-K		S7L72	432P109010	SW-KEY BOARD - KSHS611BT	efghi
C9A48	181P355010	C-ELEC - 50V 1M-M		S7L73	432P109010	SW-KEY BOARD - KSHS611BT	efghi
C9A53	181P735020	C-ELEC - 25V 1000M-M 105C		S7L74	432P109010	SW-KEY BOARD - KSHS611BT	efghi
C9A65	181P732000	C-ELEC - 10V 680M-M 105C		S7L75	432P109010	SW-KEY BOARD - KSHS611BT	efghi
C9A66	181P732000	C-ELEC - 10V 680M-M 105C		S7L76	432P109010	SW-KEY BOARD - KSHS611BT	efghi
C9A68	181P734070	C-ELEC - 25V 100M-M 105C LOW-R		S7L77	432P109010	SW-KEY BOARD - KSHS611BT	efghi
C9A70	181P734070	C-ELEC - 25V 100M-M 105C LOW-R		S7L78	432P109010	SW-KEY BOARD - KSHS611BT	efghi
C9A71	181P352070	C-ELEC - 16V 470M-M		S7L79	432P109010	SW-KEY BOARD - KSHS611BT	efghi
C9A72	181P735020	C-ELEC - 25V 1000M-M 105C					
C9A74	181P733080	C-ELEC - 16V 1000M-H 105C LOWR				<b>MISCELLANEOUS</b>	
C9A75	181P352070	C-ELEC - 16V 470M-M		096Z465030	TAPE-LENS		ghi
C9A82	181P352070	C-ELEC - 16V 470M-M	Oefhi	096Z465080	TAPE-LENS		abcdef
C9A90	154P400060	C-CER - B1KV 1500P-K		242D536010	CABLE-MEMORY - USB/5P-JS		i
C9A98	181P352070	C-ELEC - 16V 470M-M	efhi	242D535010	CABLE-EXTENSION - 1394		ghi
C9A99	181P352070	C-ELEC - 16V 470M-M	efhi	242D536040	CABLE - USB to 5P		abcdefgh
C9C51	181P351070	C-ELEC - 10V 470M-M		242D540070	CABLE-RF - 150mm		
<b>C9D00</b>	<b>189P153040</b>	<b>C-M-POLY - 250VAC 0.1M-M</b>		242D543020	CABLE - 1394 L-L 700mm		ef
<b>C9D01</b>	<b>189P153040</b>	<b>C-M-POLY - 250VAC 0.1M-M</b>		242D544030	CABLE - 1394 700mm		ef
C9D02	189P153040	C-M-POLY - 250VAC 0.1M-M		242D544040	CABLE - 1394 780mm		bd
<b>C9D03</b>	<b>189P153040</b>	<b>C-M-POLY - 250VAC 0.1M-M</b>					

**MODELS: WD-52627 / 52628 / 62627 / 62628 / 62827 / 62927 / 73727 / 73827 / 73927**

[#] Model Legend: (a) WD-52627, (b) WD-52628, (c) WD-62627, (d) WD-62628, (e) WD-62827, (f) WD-62927, (g) WD-73727, (h) WD-73827, (i) WD-73927

Ref #	Part #	Part Name & Description	[#]
	246C524020	CABLE-DVI	ghi
	299P254020	IR-EMITTER, 4-HEAD - T-IR-02 W/FERRITE CO	bdefghi
	299P278020	FAN-COOLING - Ballast	abcdef
	299P288010	FAN-COOLING - Chassis	
	299P298010	FAN-COOLING-LAMP	
	299P299010	FAN-COOLING-DMD	
	299P300010	THERMISTOR-DMD	
	299P285020	SENSOR-THERMAL-LAMP	
	299P290010	THERM - DTN-C223H3UAMD101B	ef
	305P703020	2RF-SWITCH	abcdg
	305P705010	SWITCH-RF-TYPE 5	efhi
	411D024010	CORE-FERRITE - CAT2035	abcdef
	411D044020	CORE-FERRITE - ZCAT2032-0930	abcdef
	411D063010	CORE-FERRITE - ZCAT2132-1130	abcdef
	411P026010	CORE-FERRITE - ZCAT2017	abcdef
	411P026020	CORE-FERRITE - ZCAT2436	abcdef
	411P029010	CORE-FERRITE - ZCAT3513S	
	480P080010	SPEAKER - 10W	
	480P081010	SPEAKER	efghi
	480P081020	SPEAKER	abcd
	598D417020	PLATE - RF-SWITCH	
	622C289010	CUSHION-LENS	ghi
	635B114010	MIRROR - BRACKET - TOP	ab
	635B114020	MIRROR - BRACKET - TOP	cdef
	704B205010	KNOB - CONTROL	abcd
	704B207010	BUTTON - RESET	abcd
	704B215010	CONTROL BUTTONS	f
	704B219010	CONTROL BUTTONS	gh
	704B223010	CONTROL BUTTONS	e
	767D079010	MIRROR	ab
	767D079020	MIRROR	cdef
	767D079030	MIRROR	ghi
	<b>915P026010</b>	<b>LAMP-CARTRIDGE - 120W</b>	<b>abcd</b>
	<b>915P027010</b>	<b>LAMP-CARTRIDGE - 150W</b>	<b>efghi</b>
	<b>938P017010</b>	<b>OPTICAL-ENGINE</b>	<b>ab</b>
	<b>938P017020</b>	<b>OPTICAL-ENGINE</b>	<b>cd</b>
	<b>938P019020</b>	<b>OPTICAL-ENGINE</b>	<b>ef</b>
	<b>938P019010</b>	<b>OPTICAL-ENGINE</b>	<b>ghi</b>
	938P026010	HDD UNIT	eh
	938P026020	HDD UNIT	fi
	938P027010	CARD READER UNIT	abcdghi
	938P027020	CARD READER UNIT	ef
	955P002010	UNIT ADJUSTER	abcdef
AG9D00	299P220020	SURGE-SUPPRESSOR - DSS-302M	
<b>F9A01</b>	<b>283P144080</b>	<b>FUSE - 125V 5A</b>	
<b>F9A02</b>	<b>283D158010</b>	<b>FUSE - 125V 25A</b>	
<b>F9A03</b>	<b>283P144080</b>	<b>FUSE - 125V 5A</b>	
<b>F9A04</b>	<b>283P144080</b>	<b>FUSE - 125V 5A</b>	
<b>F9A05</b>	<b>283P144060</b>	<b>FUSE - 125V 7A</b>	
<b>F9A06</b>	<b>283P144080</b>	<b>FUSE - 125V 5A</b>	
<b>F9A07</b>	<b>283P144080</b>	<b>FUSE - 125V 5A</b>	
<b>F9A08</b>	<b>283P144060</b>	<b>FUSE - 125V 7A</b>	
<b>F9A09</b>	<b>283P075090</b>	<b>FUSE-CHIP - FCC20252ADTP</b>	
<b>F9A10</b>	<b>283P075090</b>	<b>FUSE-CHIP - FCC20252ADTP</b>	
<b>F9D00</b>	<b>283D131040</b>	<b>FUSE - S10A 125A</b>	
<b>F9G01</b>	<b>283P163050</b>	<b>FUSE-WIRE-CHIP - 125V 6.3A</b>	
<b>F9G21</b>	<b>283P163050</b>	<b>FUSE-WIRE-CHIP - 125V 6.3A</b>	
<b>F9G41</b>	<b>283P163050</b>	<b>FUSE-WIRE-CHIP - 125V 6.3A</b>	
SF1501	296P171010	SAW-FILTER - X6892D	

Ref #	Part #	Part Name & Description	[#]
SF1503	296P173010	SAW-FILTER - MKT47.3MC110P	
SF1601	296P171010	SAW-FILTER - X6892D	efhi
SF1603	296P173010	SAW-FILTER - MKT47.3MC110P	efhi
J2001	452C410010	CONNECTOR-HDMI	
J2101	452C410010	CONNECTOR-HDMI	
J2C01	452C388010	CONNECTOR-DSUB-9P	efhi
J7T01	452C401010	CONNECTOR-USB	
J7T02	452C401010	CONNECTOR-USB	ac
J8301	440C393030	PIN-JACK-BOARD-1P	
J8401	451P246010	JACK-1394 - MINI	
J8401	451P246010	JACK-1394 - MINI	ac
J8402	451P246010	JACK-1394 - MINI	
J8402	451P246010	JACK-1394 - MINI	ac
J8403	451P246010	JACK-1394 - MINI	
J8A01	452C300010	CONNECTOR-DSUB-15P	fi
<b>K9A10</b>	<b>287P111030</b>	<b>RELAY-POWER - LKS1AF-12V</b>	
<b>K9A20</b>	<b>287P111030</b>	<b>RELAY-POWER - LKS1AF-12V</b>	
<b>K9A21</b>	<b>287P111030</b>	<b>RELAY-POWER - LKS1AF-12V</b>	
PB	452C411020	CONNECTOR PCCARD	
<b>PC9A10</b>	<b>268P115010</b>	<b>PHOTO-COUPPLIER - SHF2505FA</b>	
<b>PC9A21</b>	<b>268P115010</b>	<b>PHOTO-COUPPLIER - SHF2505FA</b>	
PJ2E00	451C268010	JACK MICROPHONE 1P	
PJ2E01	451C268010	JACK MICROPHONE 1P	
PJ2J01	440P108010	PIN-JACK-BOARD-5P	abcdg
PJ2J01	440P112010	PIN-JACK-BOARD-5P	efhi
PJ2J02	440P110010	PIN-JACK-BOARD-2P	abcdg
PJ2J02	440P114010	PIN-JACK-BOARD-2P	efhi
PJ2J03	440P110010	PIN-JACK-BOARD-2P	abcdg
PJ2J03	440P114010	PIN-JACK-BOARD-2P	efhi
PJ2J04	440P107010	PIN-JACK-BOARD-5P	abcdg
PJ2J04	440P111010	PIN-JACK-BOARD-5P	efhi
PJ2J05	440P107010	PIN-JACK-BOARD-5P	abcdg
PJ2J05	440P111010	PIN-JACK-BOARD-5P	efhi
PJ2J06	440P107010	PIN-JACK-BOARD-5P	abcdg
PJ2J06	440P111010	PIN-JACK-BOARD-5P	efhi
PJ2J07	440P109010	PIN-JACK-BOARD-5P	abcdg
PJ2J07	440P113010	PIN-JACK-BOARD-6P	efhi
PJ2J11	440C412030	PIN-JACK-BOARD-3P-1S	abcdg
PJ2J11	440C412050	PIN-JACK-BOARD-3P-1S	efghi
<b>TU100</b>	<b>295P523030</b>	<b>TUNER-NTSC/ATSC</b>	
<b>TU101</b>	<b>295P523030</b>	<b>TUNER-NTSC/ATSC</b>	
<b>TU102</b>	<b>295P524020</b>	<b>TUNER-OOB</b>	
X1501	285P459070	QTZ-CRYST - 25.14MHZ	
X1601	285P459070	QTZ-CRYST - 25.14MHZ	efhi
X2296	285P459090	QTZ-CRYST - 28.322MHZ	
X7A13	285P459040	QTZ-CRYST - 16MHZ	
X7G01	285P431030	QTZ-CRYST - 81MHZ	
X7P09	285P459020	QTZ-CRYST - 8MHZ	
X7R01	285P459010	QTZ-CRYST - 3.579545MHZ	
X7R02	285P459030	QTZ-CRYST - 10MHZ	
X8001	285P441040	QTZ-CRYST - 26.1621MHZ	bdg
X8001	285P455040	QTZ-CRYST - 26.1521MHZ	acefhi
X8201	285P403020	QTZ-CRYST - 32.768MHZ	
X8301	285P464010	QTZ-CRYST - 7.3728MHZ	
X8402	285P455030	QTZ-CRYST - 24.576MHZ	ac
X8403	285P455030	QTZ-CRYST - 24.576MHZ	ac
X8501	285P455010	QTZ-CRYST - 18.24MHZ	
X8600	285P455030	QTZ-CRYST - 24.576MHZ	efhi
X8601	285P446010	QTZ-CRYST - 83.33MHZ	efhi
X8G01	299P284010	CER-OSC - CSTCE20M0V51-R0	



**MODELS: WD-52627 / 52628 / 62627 / 62628 / 62827 / 62927 / 73727 / 73827 / 73927**

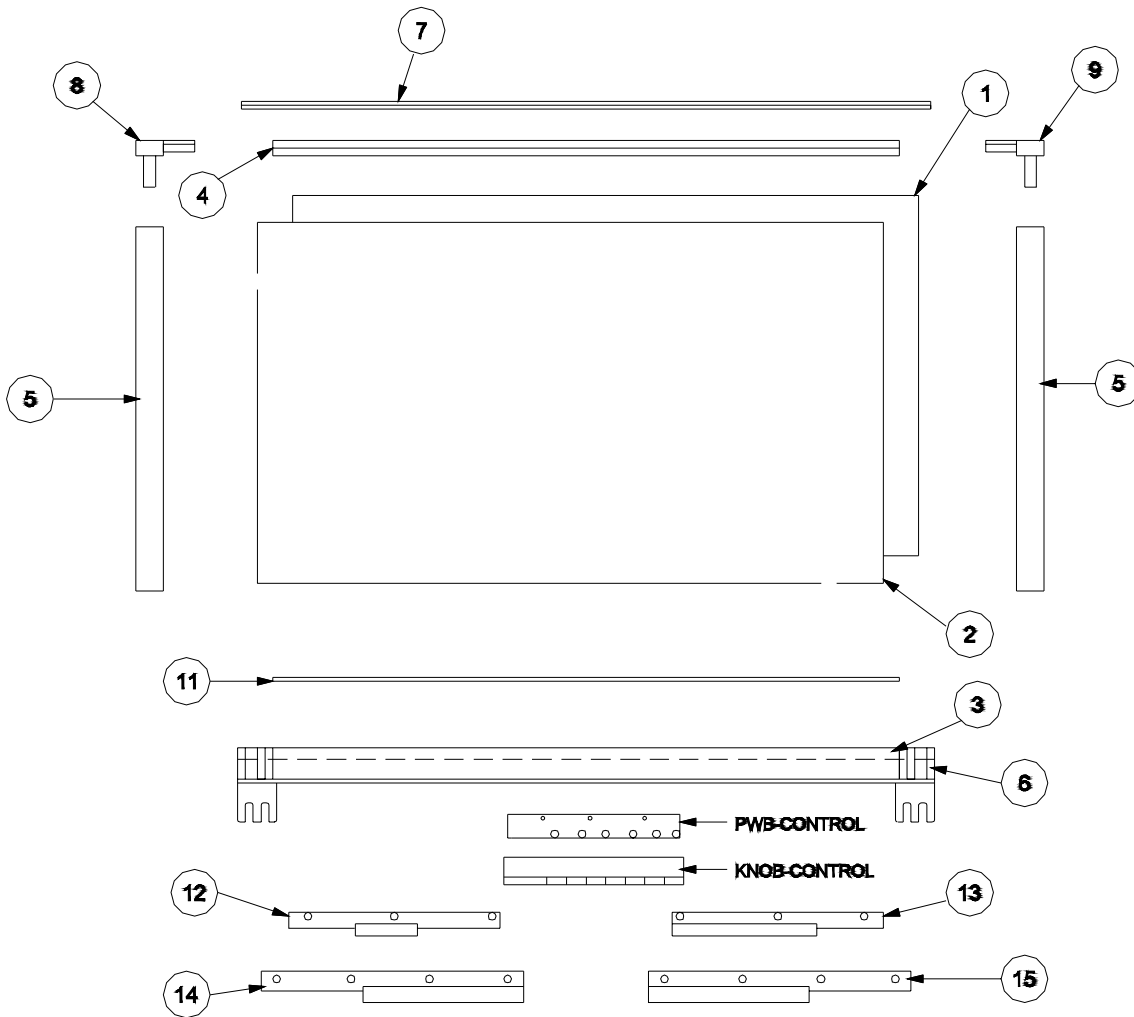
**[#] Model Legend: (a) WD-52627, (b) WD-52628, (c) WD-62627, (d) WD-62628, (e) WD-62827, (f) WD-62927, (g) WD-73727, (h) WD-73827, (i) WD-73927**

Ref #	Part #	Part Name & Description	[#]	Ref #	Part #	Part Name & Description	[#]
X8K45	285P391030	OSC - 74.175824MHZ			761A253010	BEZEL - FRONT	cd
Z7K01	938P005010	UNIT-PREAMP - GP1UM283QK			761A271010	COVER PEDESTAL	a
		<b>PRINTED CIRCUIT BOARDS</b>			761A271020	COVER PEDESTAL	b
	934C150005	ASSY-PWB-TERMINAL	abcdg		761A276010	GRILLE SPEAKER	a
	934C150006	ASSY-PWB-TERMINAL	efhi		761A276020	GRILLE SPEAKER	b
	934C151005	ASSY-PWB-MICRO	abcdg		761A278010	GRILLE SPEAKER	c
	934C151006	ASSY-PWB-MICRO	efhi		761A278020	GRILLE SPEAKER	c
	934C152005	ASSY-PWB-DM	ac		761A279010	COVER PEDESTAL	d
	934C152006	ASSY-PWB-DM	bdg		761A279020	COVER PEDESTAL	d
	934C152007	ASSY-PWB-DM	efhi		761A286010	COVER PEDESTAL	f
	934C154002	ASSY-PWB-RISER	abcdg		761A287010	FRONT BEZEL	f
	934C154005	ASSY-PWB-RISER	efhi		761A305010	GRILL-SIDE - LEFT	ab
	934C155005	ASSY-PWB-INTERFACE			761A305020	GRILL-SIDE - RIGHT	g
	934C159001	ASSY-PWB-POWER2	abcdg		761A305030	GRILL-SIDE - LEFT	h
	934C159002	ASSY-PWB-POWER2	efhi		761A305040	GRILL-SIDE - RIGHT	h
	934C160001	ASSY-PWB-V29FMT	abcdegh		761A312010	FRONT ESCUSHION - LEFT	f
	934C160002	ASSY-PWB-V29FMT	fi		761A312020	FRONT ESCUSHION - RIGHT	f
	935D818001	ASSY-PWB-PREAMP			761A313010	BACK ESCUSHION - LEFT	f
	935D819001	ASSY-PWB-DEM0D1			761A313020	BACK ESCUSHION - RIGHT	f
	935D820001	ASSY-PWB-E2P			761A314010	FRONT ESCUSHION - LEFT	e
	935D822001	ASSY-PWB-FRONT	abcdg		761A314020	FRONT ESCUSHION - RIGHT	e
	935D822002	ASSY-PWB-FRONT	efhi		761A316010	GRILL-REAR	g
	935D824001	ASSY-PWB-CONTROL	abcd		761A316020	GRILL-REAR	h
	935D824002	ASSY-PWB-CONTROL2	efghi		761A320010	CONTROL PANEL PLATE	e
	935D839001	ASSY-PWB-DEM0D2	efhi		761A321010	FRONT BEZEL	e
	935D849001	ASSY-PWB-SW-LAMP			761C754010	M-CARD READER DOOR	f
	938P018010	ASSY-PWB-BALLAST	efghi		761C759010	M-CARD READER DOOR	e
	939P978020	ASSY-PWB-BALLAST	abcd		761A281010	PEDESTAL	i
	955B313001	ASSY-CHASSIS	ac		761A306010	GRILL-SIDE	i
	955B313002	ASSY-CHASSIS	bdg		761A306020	GRILL-SIDE	i
	955B313004	ASSY-CHASSIS	fi		761A317010	GRILL-REAR	i
	955B313006	ASSY-CHASSIS	eh			<b>ACCESSORIES</b>	
	955C283001	ASSY-PWB-ENG-PWR			242D483020	IR-MOUSE	ac
		<b>COSMETIC PARTS</b>			242D525010	CABLE - AUDIO - AC3	abdefghi
	702A464010	BOARD TERMINAL			242D527010	CABLE - IR	aefghi
	702A465010	FRONT PANEL CAP - LEFT	e		246C351070	AC POWER CORD	ghi
	702A465020	FRONT PANEL CAP - RIGHT	e		290P122020	REMOTE-CONTROL - V29	ac
	703C072010	ORNAMENT-T	ghi		290P123020	REMOTE-CONTROL - V30/V30+/V31	bdefghi
	703C073010	ORNAMENT-S	ghi		622C284010	COSMETIC CLIP SIDE	ef
	703C074010	ORNAMENT-B	ghi		622C284020	COSMETIC CLIP SIDE	ef
	711D014010	M-CARD DOOR COVER	f		622C285010	COSMETIC CLIP BOTTOM	ef
	711D015010	CONTROL PANEL PLATE	f		I/TV WD-52627	GUIDE: TV	
	712C718010	TOP TRIM	ef		I/QR WD-52627	GUIDE: QR	ac
	712C719010	SIDE TRIM - LEFT	f		I/QR WD-52628	GUIDE: QR	bdg
	712C720010	BOTTOM TRIM	f		I/QR WD-62827	GUIDE: QR	efhi
	712C721010	BOTTOM TRIM	e		I/B WD-52627	GUIDE: OWNERS	ac
	712C722010	SIDE TRIM - LEFT	e		I/B WD-52628	GUIDE: OWNERS	bdg
	712C722020	SIDE TRIM - RIGHT	e		I/B WD-62827	GUIDE: OWNERS	efhi
	716C044020	BADGE BRAND	i				
	716C046010	BADGE DIAMOND	e				
	752B162010	COVER - LAMP-ACCESS					
	752C310010	CAP POD	abcdef				
	752C311010	CAP RG	abcdef				
	760A018010	INLAY TERMINAL	abcdg				
	760A018020	INLAY TERMINAL	eh				
	760A018030	INLAY TERMINAL	fi				
	761A252010	BEZEL - FRONT	ab				

**MODELS: WD-52627 / 52628 / 62627 / 62628 / 62827 / 62927 / 73727 / 73827 / 73927**

[#] Model Legend: (a) WD-52627, (b) WD-52628, (c) WD-62627, (d) WD-62628, (e) WD-62827, (f) WD-62927, (g) WD-73727, (h) WD-73827, (i) WD-73927

Ref #	Part #	Part Name & Description	[#]	Ref #	Part #	Part Name & Description	[#]
<b>SCREEN ASSEMBLY PARTS</b>				<b>WD-62627&amp; WD-62628Screen Parts (Figure 1)</b>			
<b>WD-52627&amp; WD-52628 Screen Parts (Figure 1)</b>				<b>WD-62627&amp; WD-62628Screen Parts (Figure 1)</b>			
(1)	491P177040	LENS-FRESNEL		(1)	491P177030	LENS-FRESNEL	
(2)	491P178040	SCREEN-LENTICULAR		(2)	491P178030	SCREEN-LENTICULAR	
(3)	623D253020	SCREEN - HOLDER		(3)	623D253010	SCREEN - HOLDER	
(4)	701B525030	FRAME TOP		(4)	701B525040	FRAME TOP	
(5)	701B534010	FRAME SIDE		(5)	701B534020	FRAME SIDE	
(6)	761A232050	SCREEN-FRAME - BOTTOM		(6)	761A242050	SCREEN - FRAME - BOTTOM	
(7)	761A238050	SCREEN-FRAME - COVER-TOP		(7)	761A244050	SCREEN-FRAME - COVER-TOP	
(8)	768C082010	SCREEN-CAP-CORNER - LEFT		(8)	768C082010	SCREEN-CAP-CORNER - LEFT	
(9)	768C082020	SCREEN-CAP-CORNER - RIGHT		(9)	768C082020	SCREEN-CAP-CORNER - RIGHT	
(11)	623D209010	SCREEN - SHEET - BOTTOM		(11)	623D209020	SCREEN-SHEET - BOTTOM	
(12)	704B238010	FRAME-TRIM - BTM LEFT		(14)	704B217010	FRAME-TRIM - BTM LEFT	
(13)	704B238020	FRAME-TRIM - BTM RIGHT		(15)	704B217020	FRAME-TRIM - BTM RIGHT	
	598D822010	SCREEN - BRACKET			598D683010	SCREEN - BRACKET	
	623D224010	SCREEN-FRAME - SPACER			623D224010	SCREEN-FRAME - SPACER	



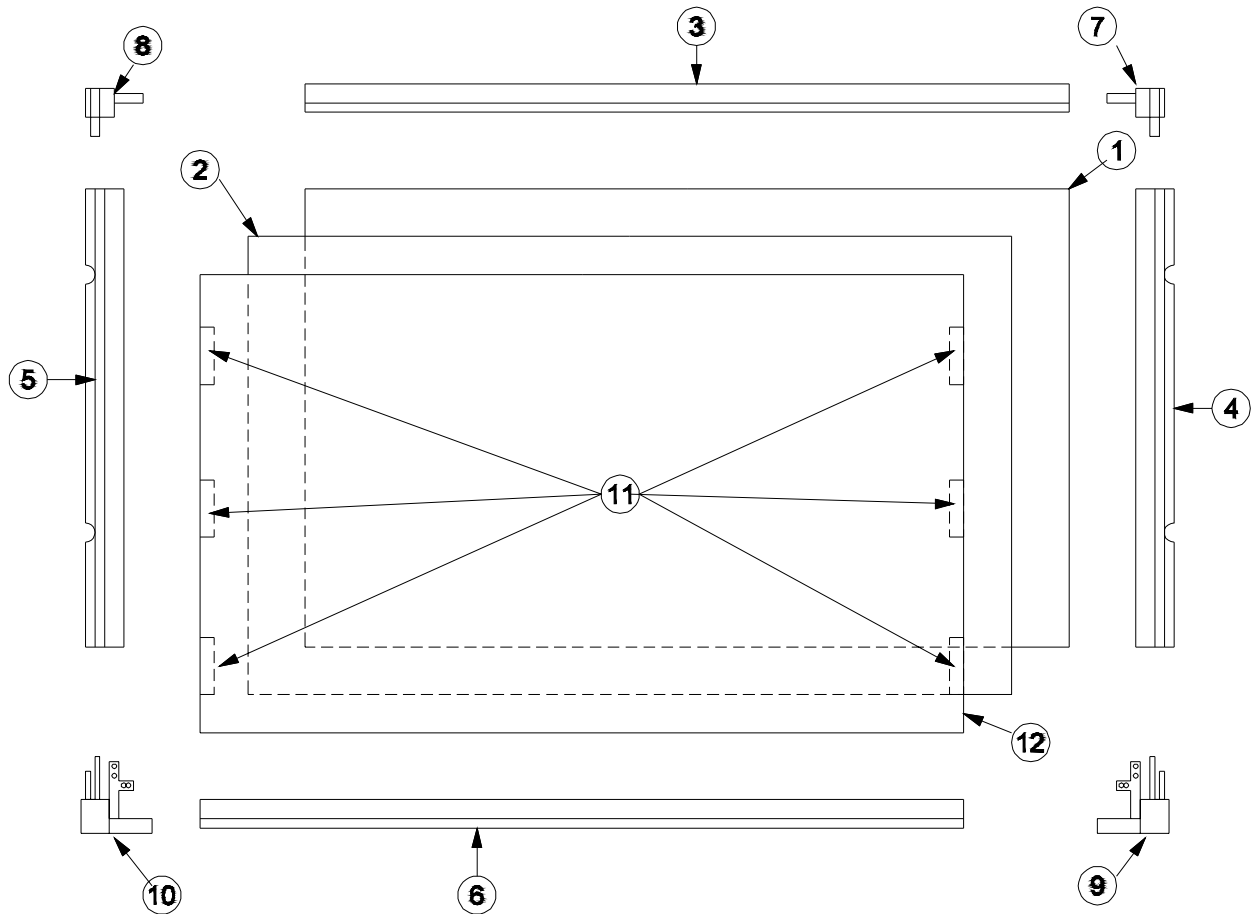
**Figure 1**

**MODELS: WD-52627 / 52628 / 62627 / 62628 / 62827 / 62927 / 73727 / 73827 / 73927**

[#] Model Legend: (a) WD-52627, (b) WD-52628, (c) WD-62627, (d) WD-62628, (e) WD-62827, (f) WD-62927, (g) WD-73727, (h) WD-73827, (i) WD-73927

Ref #	Part #	Part Name & Description	[#]
<b>WD-62827 Screen Parts (Figure 2)</b>			
(1)	491P177030	LENS-FRESNEL	
(2)	491P178030	SCREEN-LENTICULAR	
(3)	701B519010	FRAME TOP	
(4)	701B520010	FRAME SIDE - RIGHT	
(5)	701B520020	FRAME SIDE - LEFT	
(6)	701B532010	FRAME BOTTOM	
(7)	768C083010	CAP-CORNER - TOP RIGHT	
(8)	768C083020	CAP-CORNER - TOP LEFT	
(9)	768C086010	CAP-CORNER - BTM RIGHT	
(10)	768C086020	CAP-CORNER - BTM LEFT	
(11)	622C137010	CLIP-DS - SIDE	
(12)	760D656010	AR-DIAMOND-SHIELD	
	598D683010	SCREEN - BRACKET	

Ref #	Part #	Part Name & Description	[#]
<b>WD-62927 Screen Parts (Figure 2)</b>			
(1)	491P177030	LENS-FRESNEL	
(2)	491P178030	SCREEN-LENTICULAR	
(3)	701B519010	FRAME TOP	
(4)	701B520010	FRAME SIDE - RIGHT	
(5)	701B520020	FRAME SIDE - LEFT	
(6)	701B532010	FRAME BOTTOM	
(7)	768C083010	CAP-CORNER - TOP RIGHT	
(8)	768C083020	CAP-CORNER - TOP LEFT	
(9)	768C086010	CAP-CORNER - BTM RIGHT	
(10)	768C086020	CAP-CORNER - BTM LEFT	
(11)	622C137010	CLIP-DS - SIDE	
(12)	760D656030	AR-DIAMOND-SHIELD	
	598D683010	SCREEN - BRACKET	

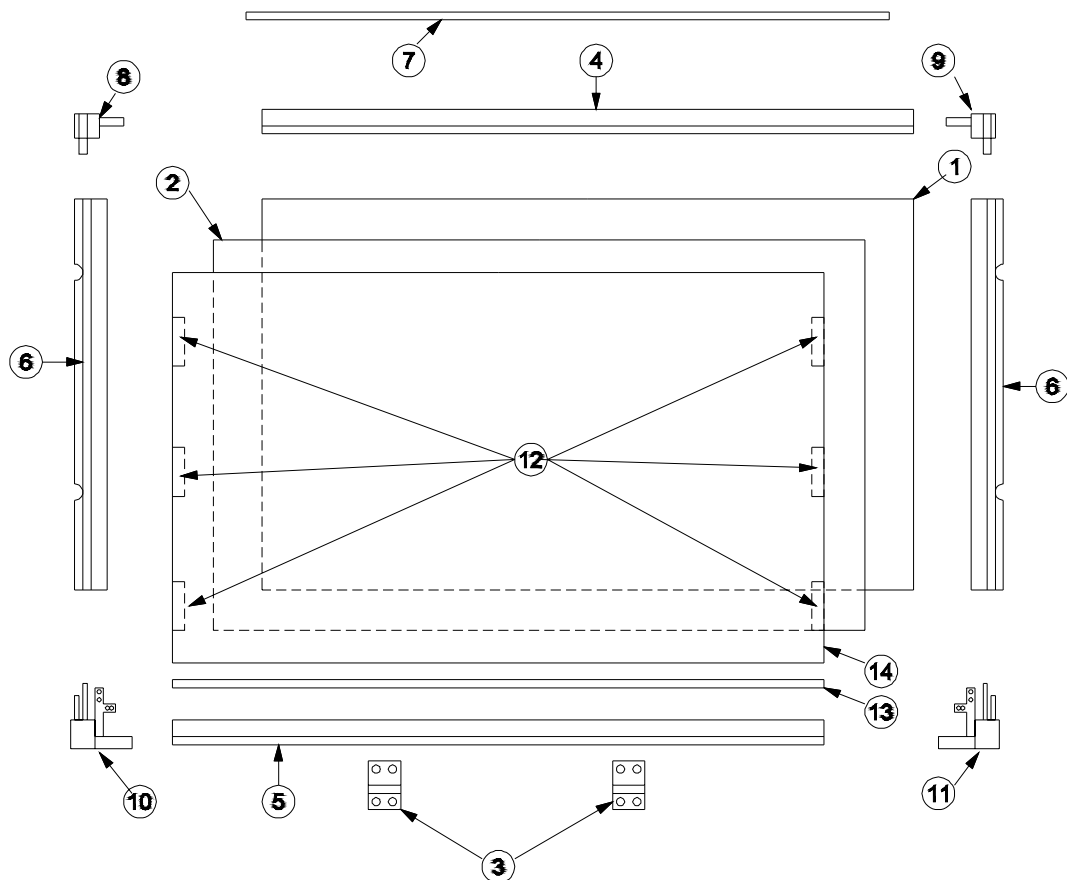


**Figure 2:**

**MODELS: WD-52627 / 52628 / 62627 / 62628 / 62827 / 62927 / 73727 / 73827 / 73927**

**[#] Model Legend: (a) WD-52627, (b) WD-52628, (c) WD-62627, (d) WD-62628, (e) WD-62827, (f) WD-62927, (g) WD-73727, (h) WD-73827, (i) WD-73927**

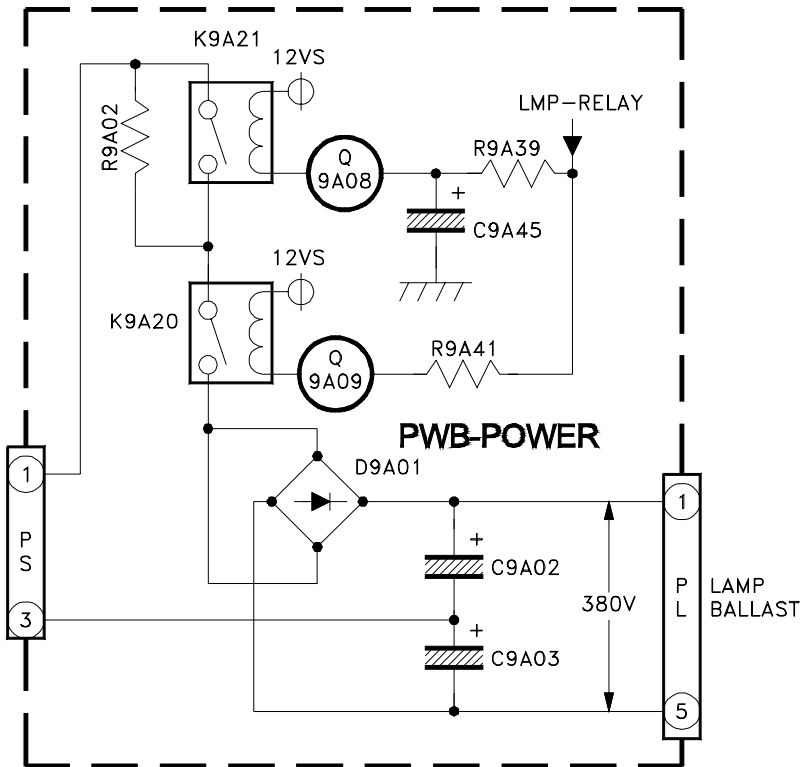
Ref #	Part #	Part Name & Description	[#]	Ref #	Part #	Part Name & Description	[#]
<b>WD-73727 Screen Parts (Figure 3)</b>				<b>WD-73927 Screen Parts (Figure 3)</b>			
(1)	491P175050	LENS-FRESNEL		(1)	491P175050	LENS-FRESNEL	
(2)	491P176050	SCREEN-LENTICULAR		(2)	491P176050	SCREEN-LENTICULAR	
(3)	595C114010	PLATE-SCREEN		(3)	595C114010	PLATE-SCREEN	
(4)	711C061010	FRAME-SCREEN-T		(4)	711C061010	FRAME-SCREEN-T	
(5)	711C062010	FRAME-SCREEN-B		(5)	711C064010	FRAME-SCREEN-B	
(6)	711C063020	FRAME-SCREEN-S		(6)	711C063020	FRAME-SCREEN-S	
(7)	711C065020	COVER-FRAME-TOP		(7)	711C065020	COVER-FRAME-TOP	
(8)	768C084030	CAP-CORNER - TOP LEFT		(8)	768C084030	CAP-CORNER - TOP LEFT	
(9)	768C084040	CAP-CORNER - TOP RIGHT		(9)	768C084040	CAP-CORNER - TOP RIGHT	
(10)	768C087030	CAP-CORNER - BTM LEFT		(12)	622C137010	CLIP-DS - SIDE	
(11)	768C087040	CAP-CORNER - BTM RIGHT		(13)	622C211030	CLIP-DS BOTTOM	
				(14)	760D656040	AR-DIAMOND-SHIELD	
<b>WD-73827 Screen Parts (Figure 3)</b>							
(1)	491P175050	LENS-FRESNEL					
(2)	491P176050	SCREEN-LENTICULAR					
(3)	595C114010	PLATE-SCREEN					
(4)	711C061010	FRAME-SCREEN-T					
(5)	711C062020	FRAME-SCREEN-B					
(6)	711C063020	FRAME-SCREEN-S					
(7)	711C065020	COVER-FRAME-TOP					
(8)	768C084030	CAP-CORNER - TOP LEFT					
(9)	768C084040	CAP-CORNER - TOP RIGHT					
(10)	768C087030	CAP-CORNER - BTM LEFT					
(11)	768C087040	CAP-CORNER - BTM RIGHT					



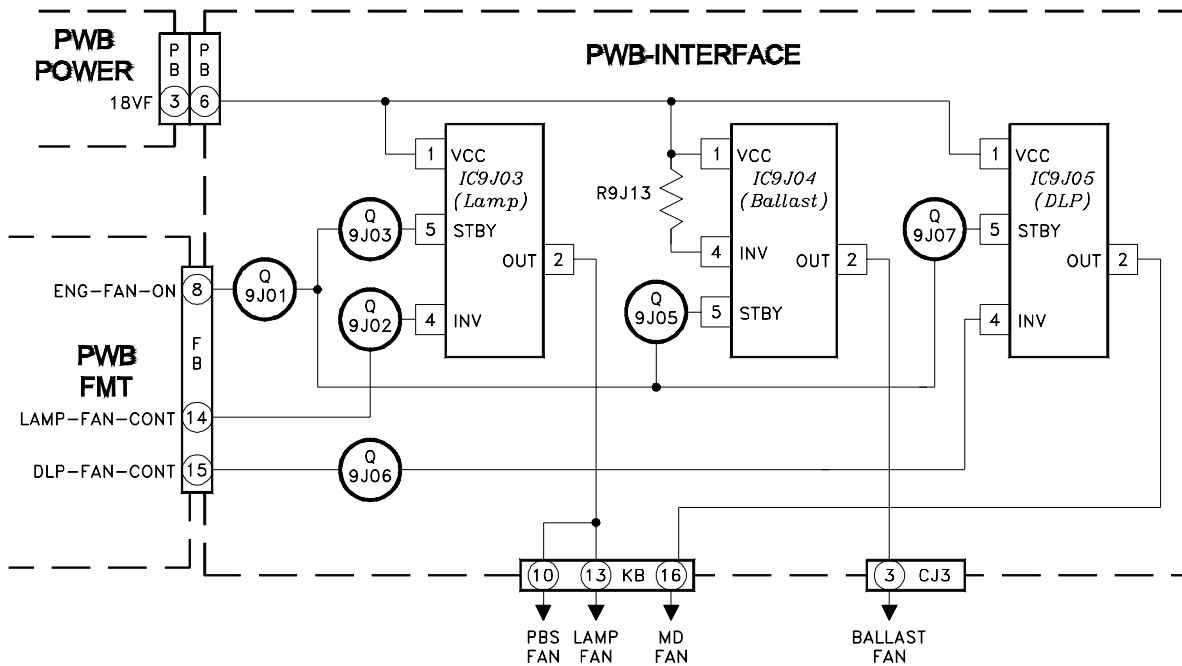
**Figure 3**



## Lamp Ballast DC Supply

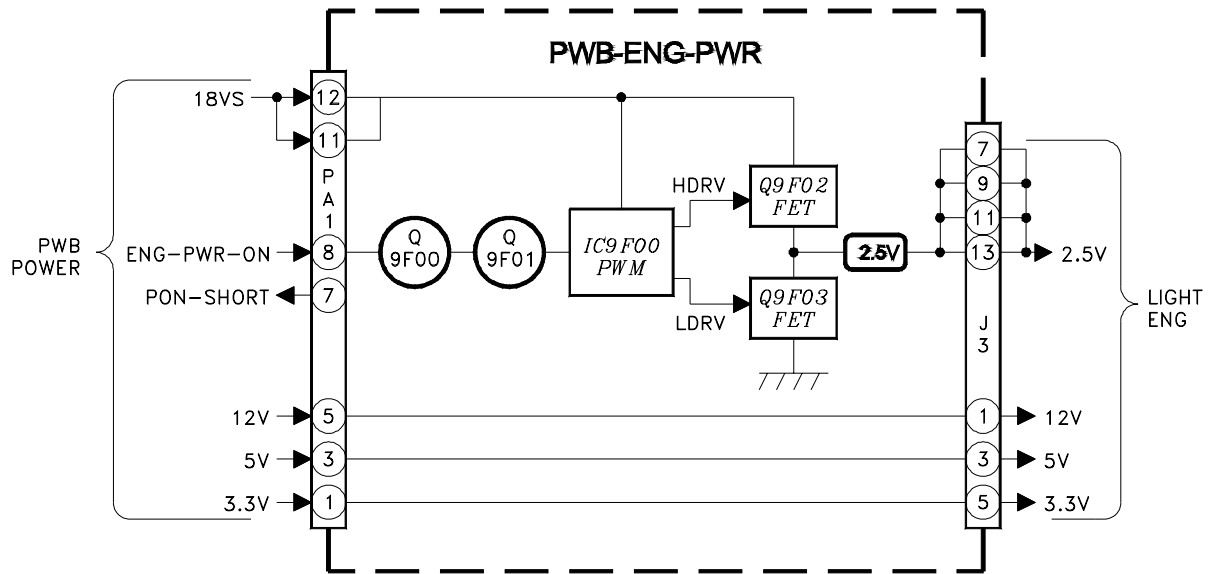


## Fans Power Supply

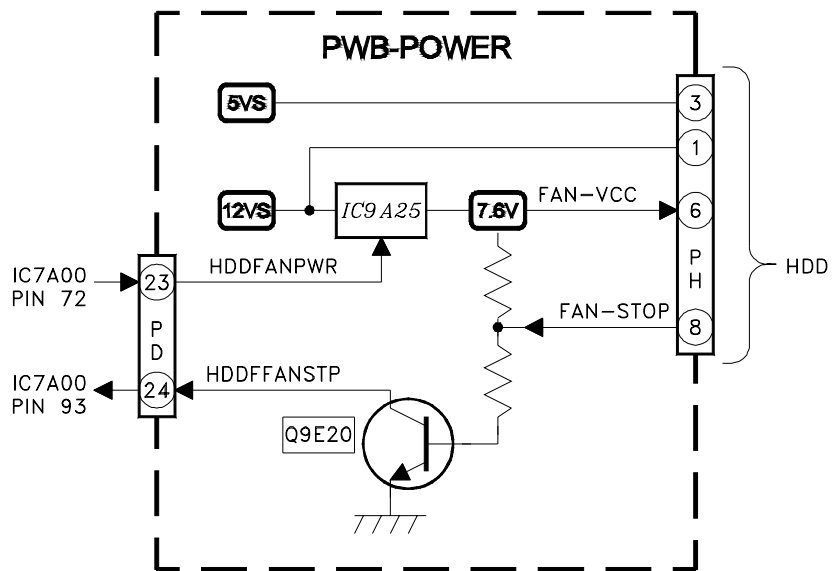




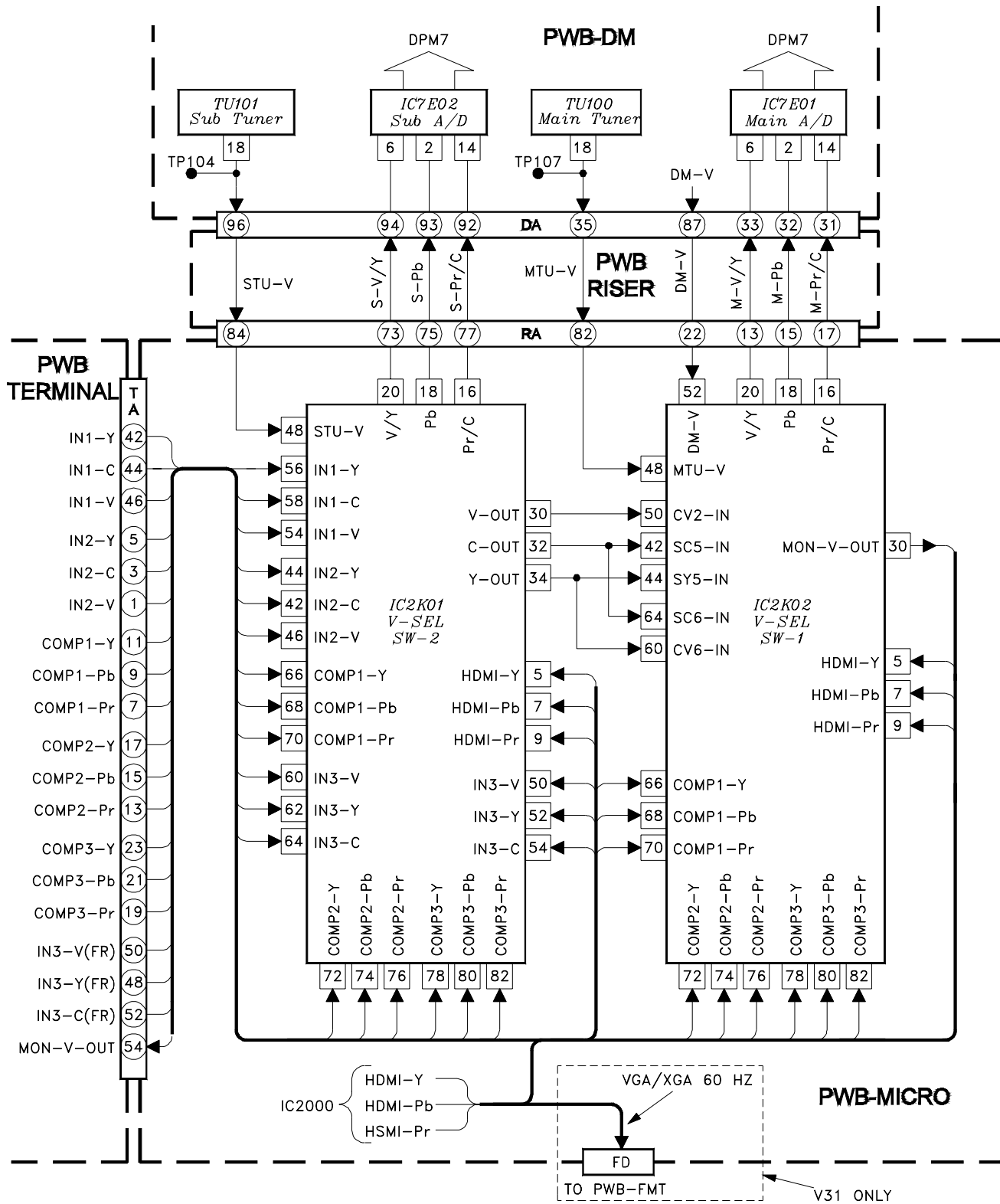
## Light Engine Power Supply



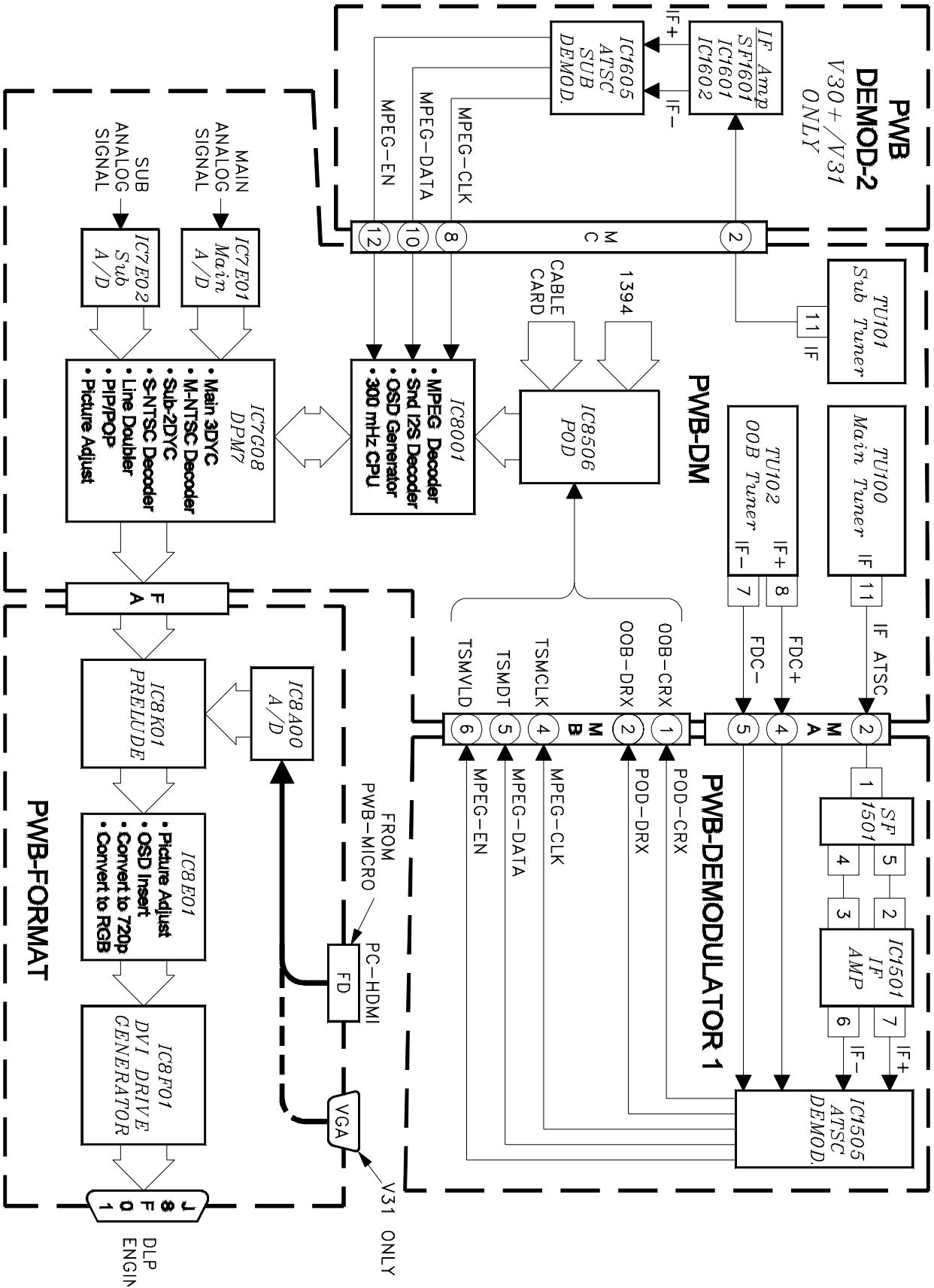
## HDD Power Supply & Fan Control (V30+ and V31 Only)



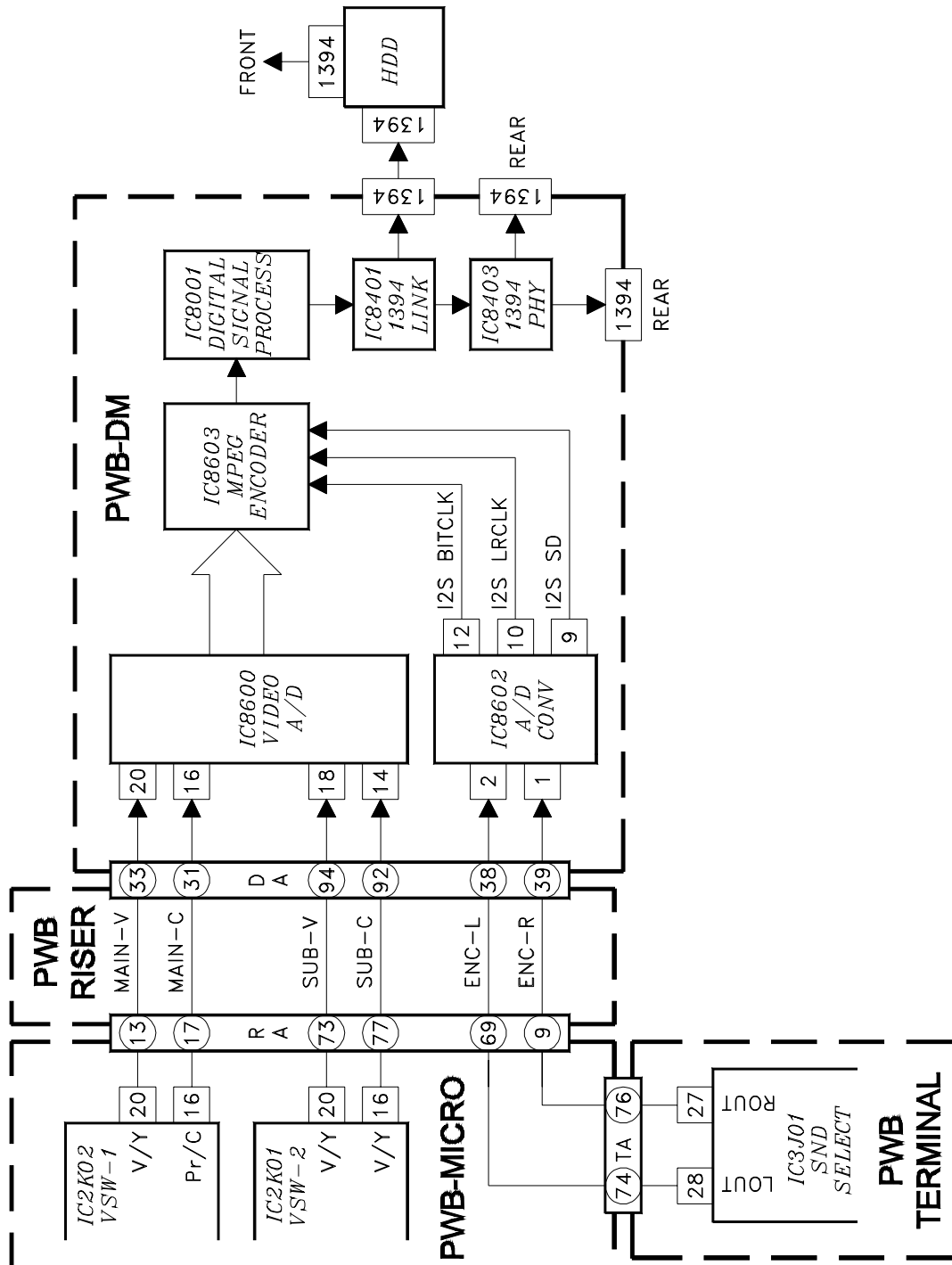
# Analog Video Signal Path



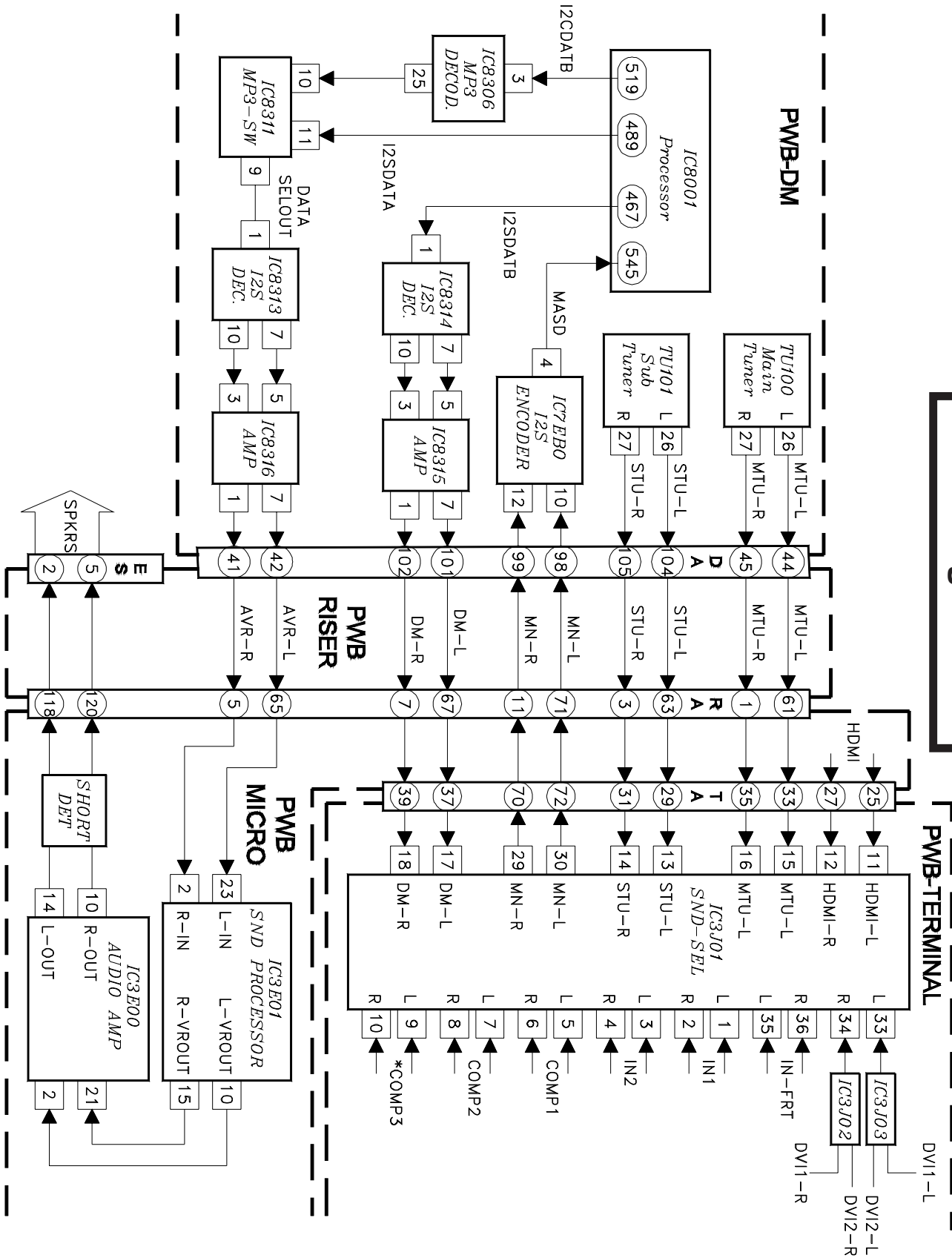
# Digital Video Signal Path



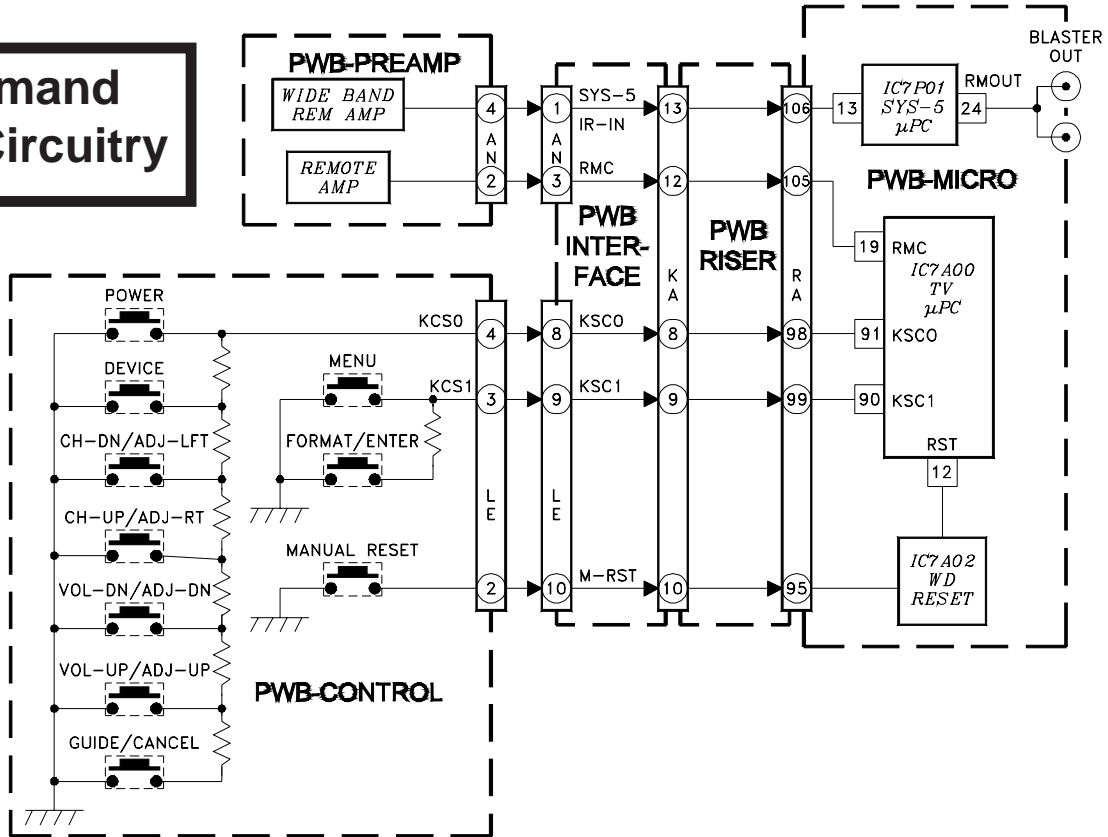
**HDD Record Signal Path  
(V30+ and V31 Only)**



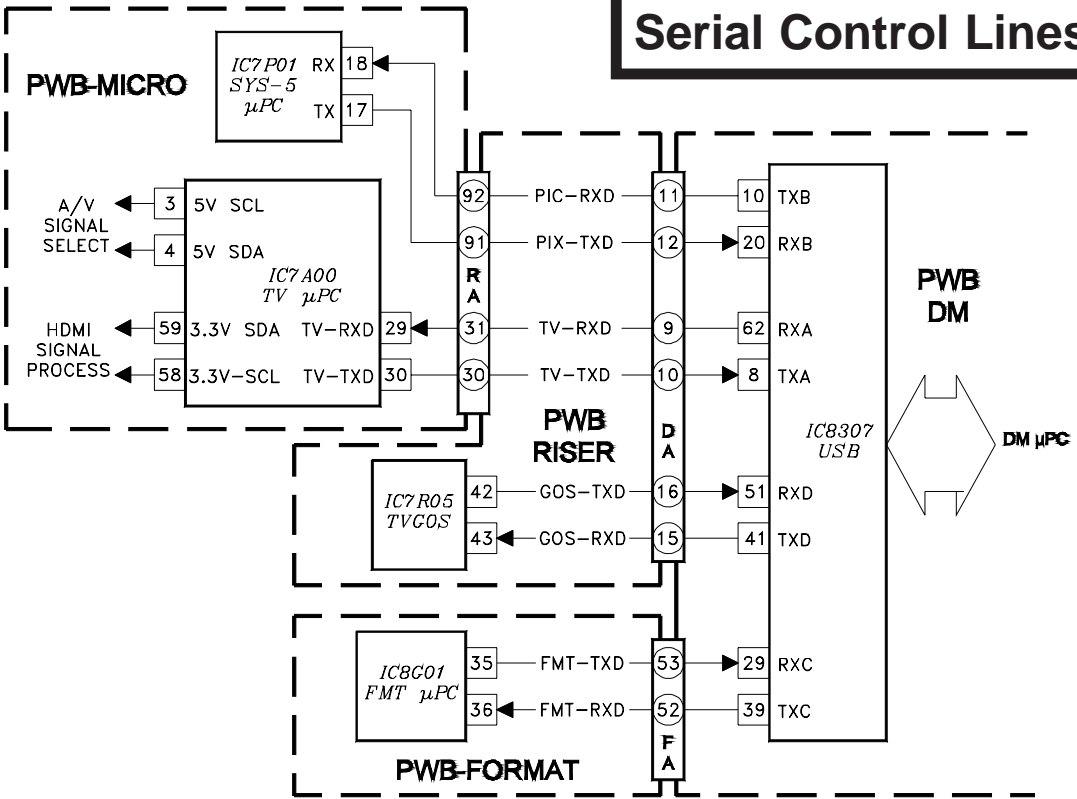
# Sound Signal Path



# Command Input Circuitry

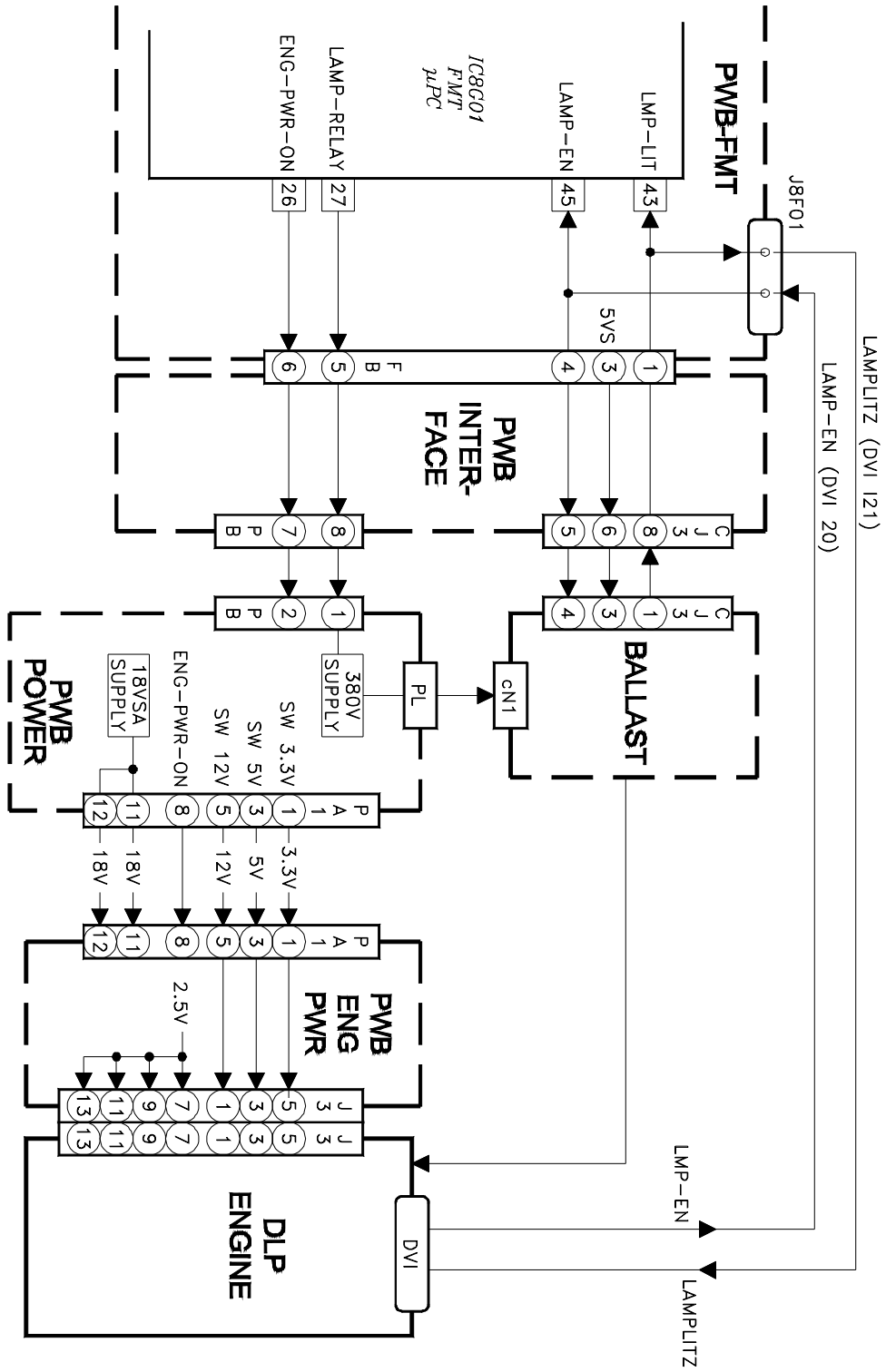


# Serial Control Lines

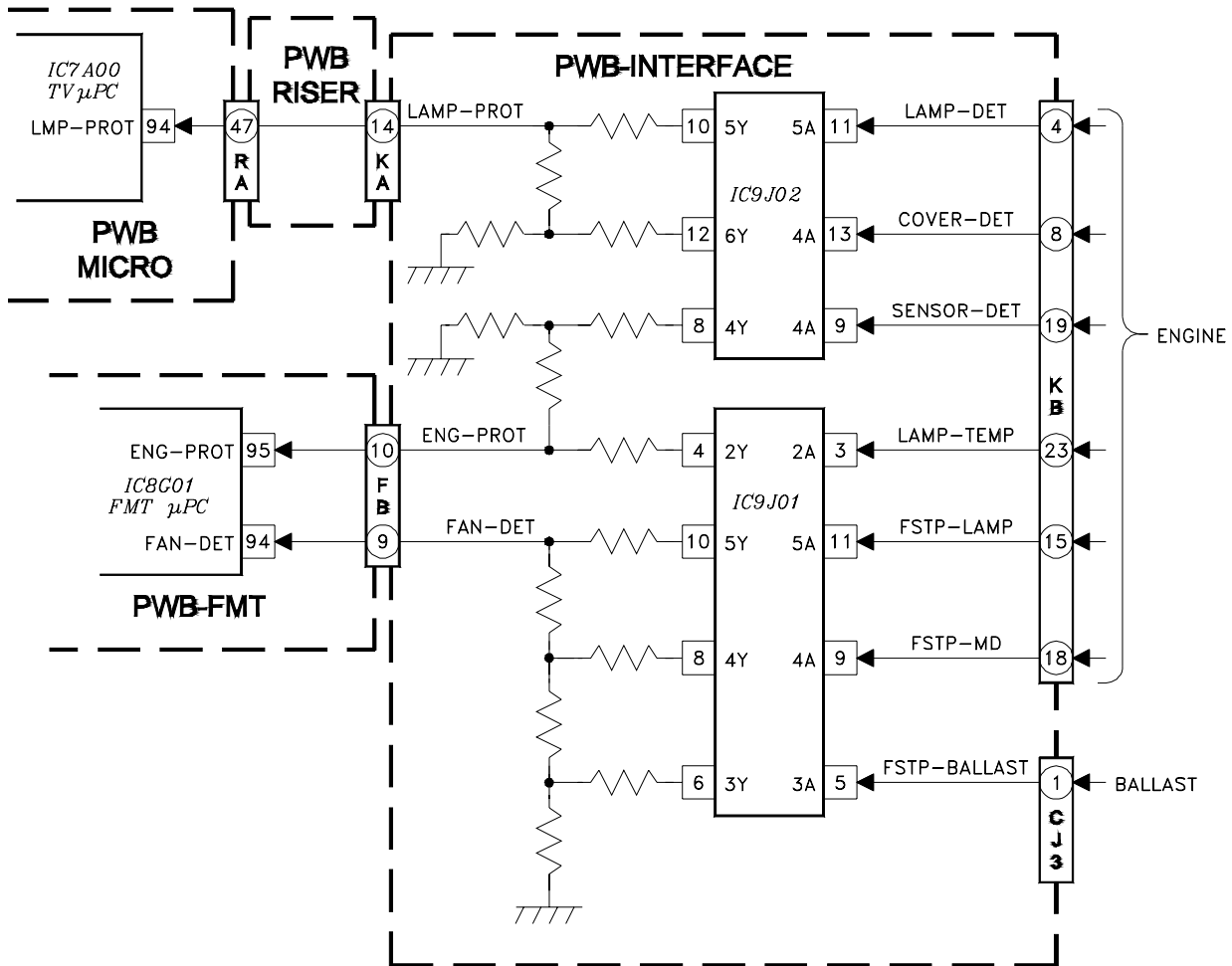




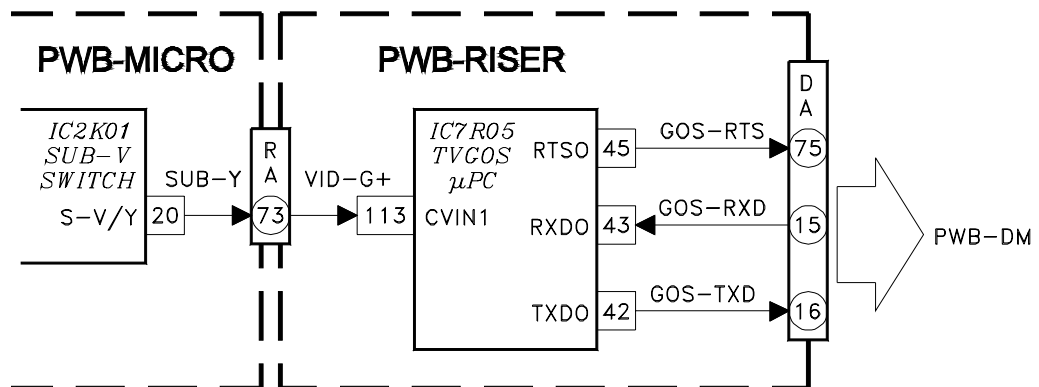
# Lamp Control Circuitry

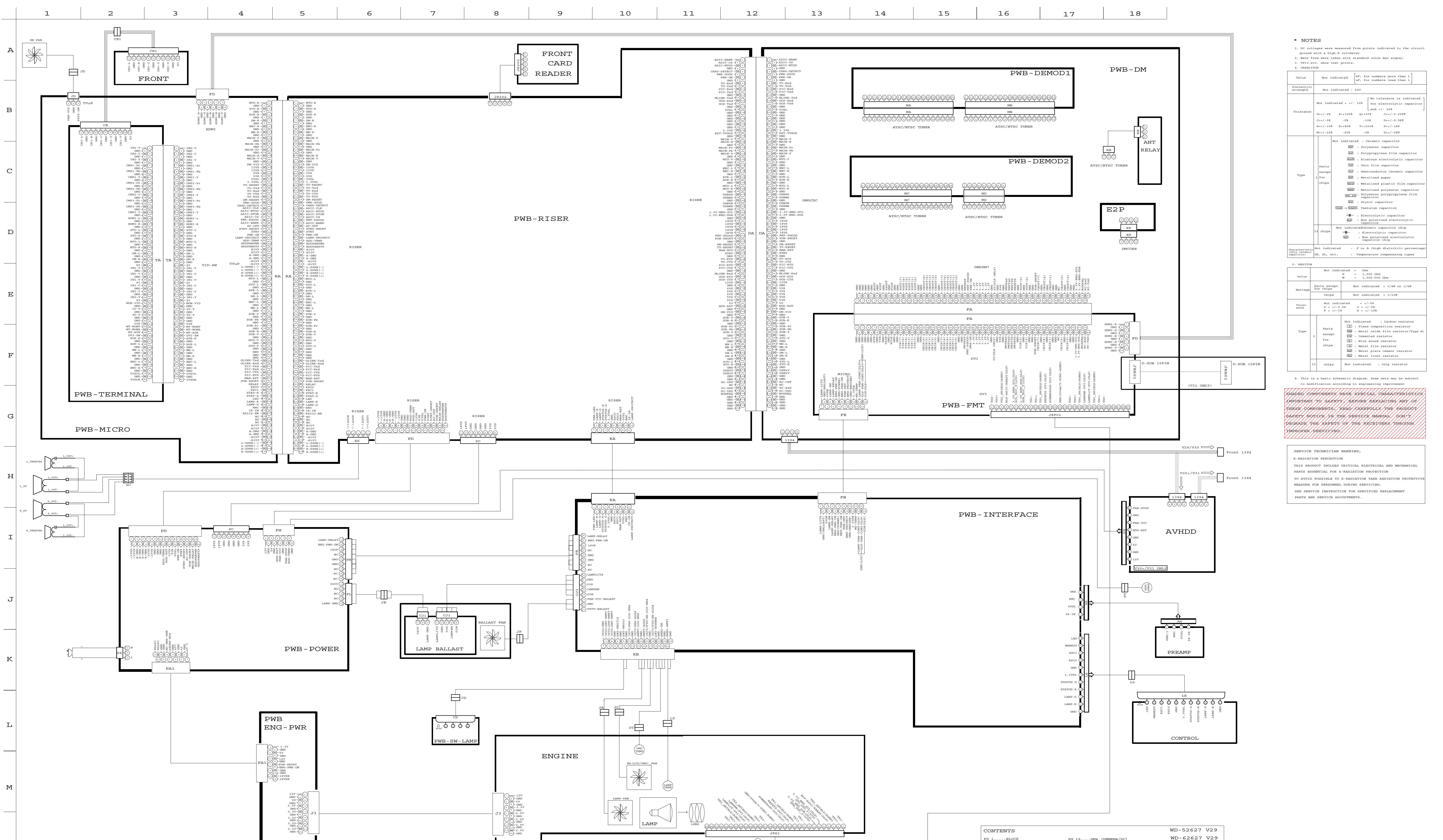


## Lamp, Engine & Fan Protect Circuitry



## TV Guide On® Screen Block Diagram





**\* NOTES**

- DC voltages were measured from points indicated to the circuit ground with a high-Z voltmeter.
- Wave form wave labels with standard color bar signal.
- TP13, etc. show test points.
- CAPACITOR

Value	Not indicated	FP, for numbers more than 1	LF, for numbers less than 1
Dielectric strength	Not indicated = 50V		
Tolerance	Not indicated = +/- 10%	No tolerance is indicated	
		and +/- .25%	
	C +/- .25	F +/- 10%	D +/- .05PP
	E +/- .10	G +/- 0.05	H +/- .05
	J +/- .05	K +/- .05	L +/- .05
	M +/- .05	N +/- .05	O +/- .05
	P +/- .05	Q +/- .05	R +/- .05
	S +/- .05	T +/- .05	U +/- .05
	V +/- .05	W +/- .05	X +/- .05
	Y +/- .05	Z +/- .05	
Type	Not indicated	: Ceramic capacitor	
		: Polystyrene film capacitor	
		: Polypropylene film capacitor	
		: Aluminum electrolytic capacitor	
		: Tantalum capacitor	
		: Semiconductor ceramic capacitor	
		: Electrolytic capacitor	
		: Metalized paper capacitor	
		: Metalized plastic film capacitor	
		: Polyester polypropylene film capacitor	
		: Polyester capacitor	
		: Tantalum capacitor	
		: Electrolytic capacitor	
		: Non polarized electrolytic capacitor	
		: Electrolytic capacitor	
		: Non polarized electrolytic capacitor chip	
		: Electrolytic capacitor	
		: Non polarized electrolytic capacitor chip	
Characteristics	Not indicated	: F or B (high dielectric percentage)	
Capacitor	Not indicated	: Temperature compensating types	

4. This is a basic schematic diagram. Some parts may be subject to modification according to engineering improvement.

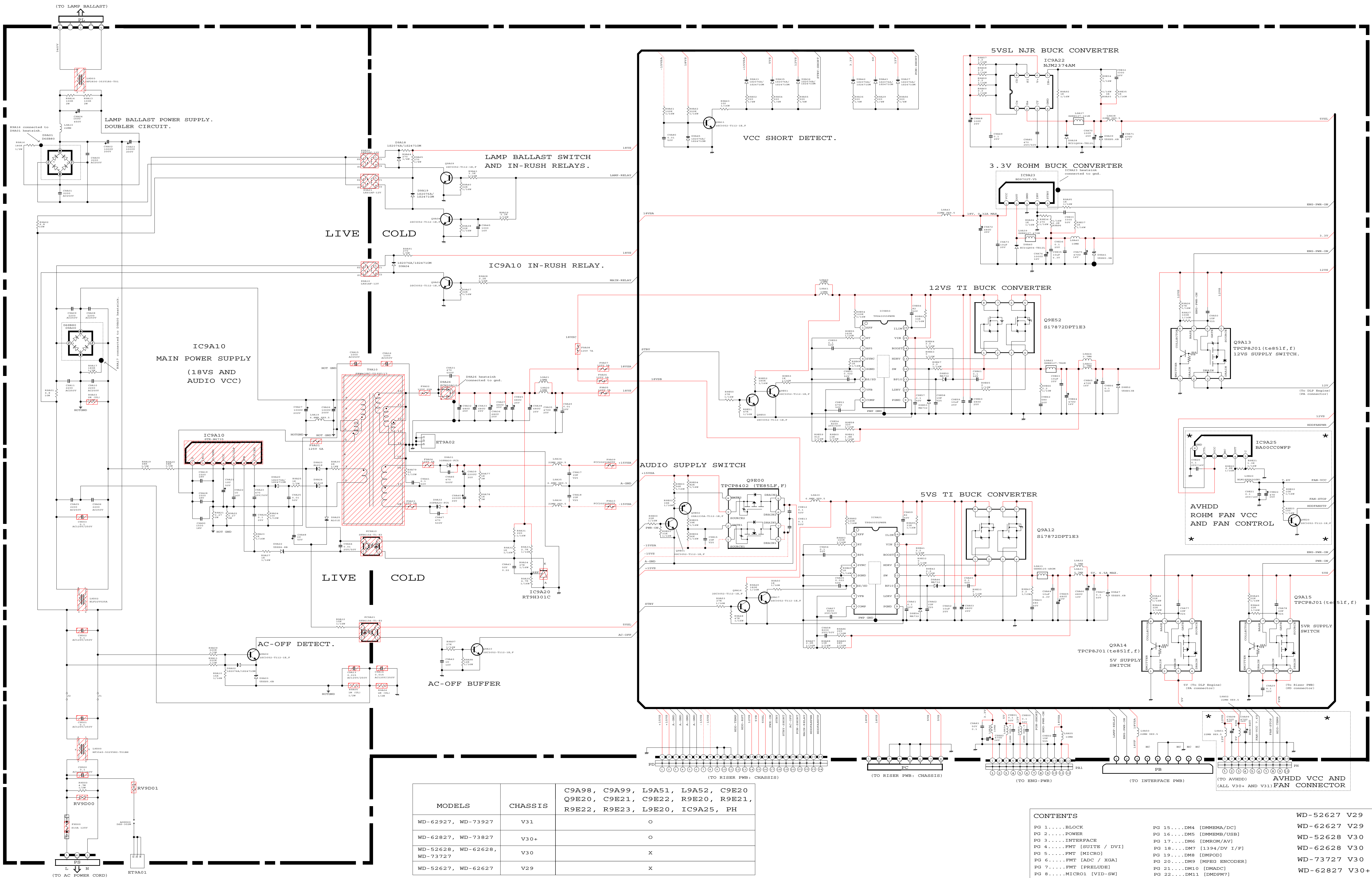
**SHADE COMPONENTS HAVE SPECIAL CHARACTERISTICS IMPORTANT TO SAFETY. BEFORE REPLACING ANY OF THESE COMPONENTS, READ CAREFULLY THE PRODUCT SAFETY NOTICE IN THE SERVICE MANUAL. DON'T DEGRADE THE SAFETY OF THE RECEIVERS THROUGH IMPROPER SERVICING.**

**SERVICE TECHNICIAN WARNING:**  
 X-RADIATION PRECAUTION  
 THIS PRODUCT INCLUDES CRITICAL ELECTRICAL AND MECHANICAL PARTS ESSENTIAL FOR X-RADIATION PROTECTION TO AVOID POSSIBLE TO X-RADIATION TAKE RADIATION PROTECTIVE MEASURE FOR PERSONNEL DURING SERVICING.  
 SEE SERVICE INSTRUCTION FOR SPECIFIED REPLACEMENT PARTS AND SERVICE ADJUSTMENTS.

**CONTENTS**

PG 1... BLOCK	PG 15... DM4 (DMHMA/DIC)	WD-52627 V29
PG 2... POWER	PG 16... DM5 (DMHMA/DIS)	WD-62627 V29
PG 3... INTERFAC	PG 17... DM6 (DMHMA/AV)	WD-52628 V30
PG 4... PFM1 (SUTTE / DV2)	PG 18... DM7 (1394/DV 1/P)	WD-62628 V30
PG 5... PFM2 (MICRO)	PG 19... DM8 (DMHCO)	WD-62628 V30
PG 6... PFM3 (ADC / XGA)	PG 20... DM9 (DMHCO/ENCODER)	WD-73727 V30
PG 7... PFM4 (PHELLE)	PG 21... DM10 (DMHDC)	WD-62827 V30+
PG 8... MICRO1 (VID-SM)	PG 22... DM11 (DMHPT)	WD-62827 V30+
PG 9... MICRO2 (AUD-PTC)	PG 23... TERMINAL	WD-73827 V30+
PG 10... MICRO3 (TV-UV)	PG 24... DEMOD1	WD-62927 V31
PG 11... MICRO4 (NDMI)	PG 25... DEMOD2	WD-62927 V31
PG 12... DM3 (ATSC/NTSC TUNER)	PG 26... R13BER1	WD-73927 V31
PG 13... DM5 (DMHCOIC)	PG 27... R13BER2	
PG 14... DM6 (DMHCOE)	PG 28... R29/FRONT/CONTROL/PREAMP	
	ENGINE-POWER	

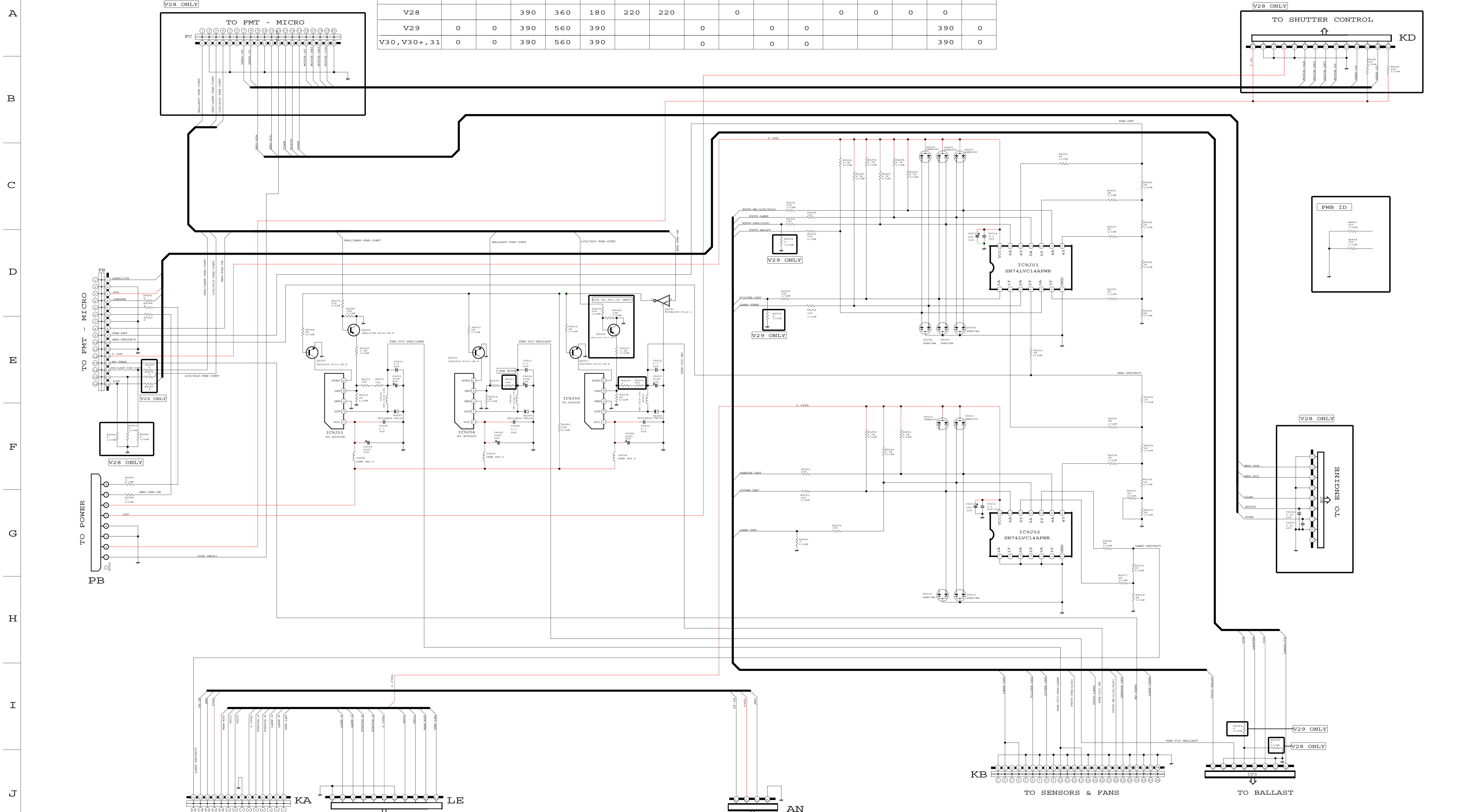




MODELS	CHASSIS	C9A98, C9A99, L9A51, L9A52, C9E20 Q9E20, C9E21, C9E22, R9E20, R9E21, R9E22, R9E23, L9E20, IC9A25, PH
WD-62927, WD-73927	V31	O
WD-62827, WD-73827	V30+	O
WD-52628, WD-62628, WD-73727	V30	X
WD-52627, WD-62627	V29	X

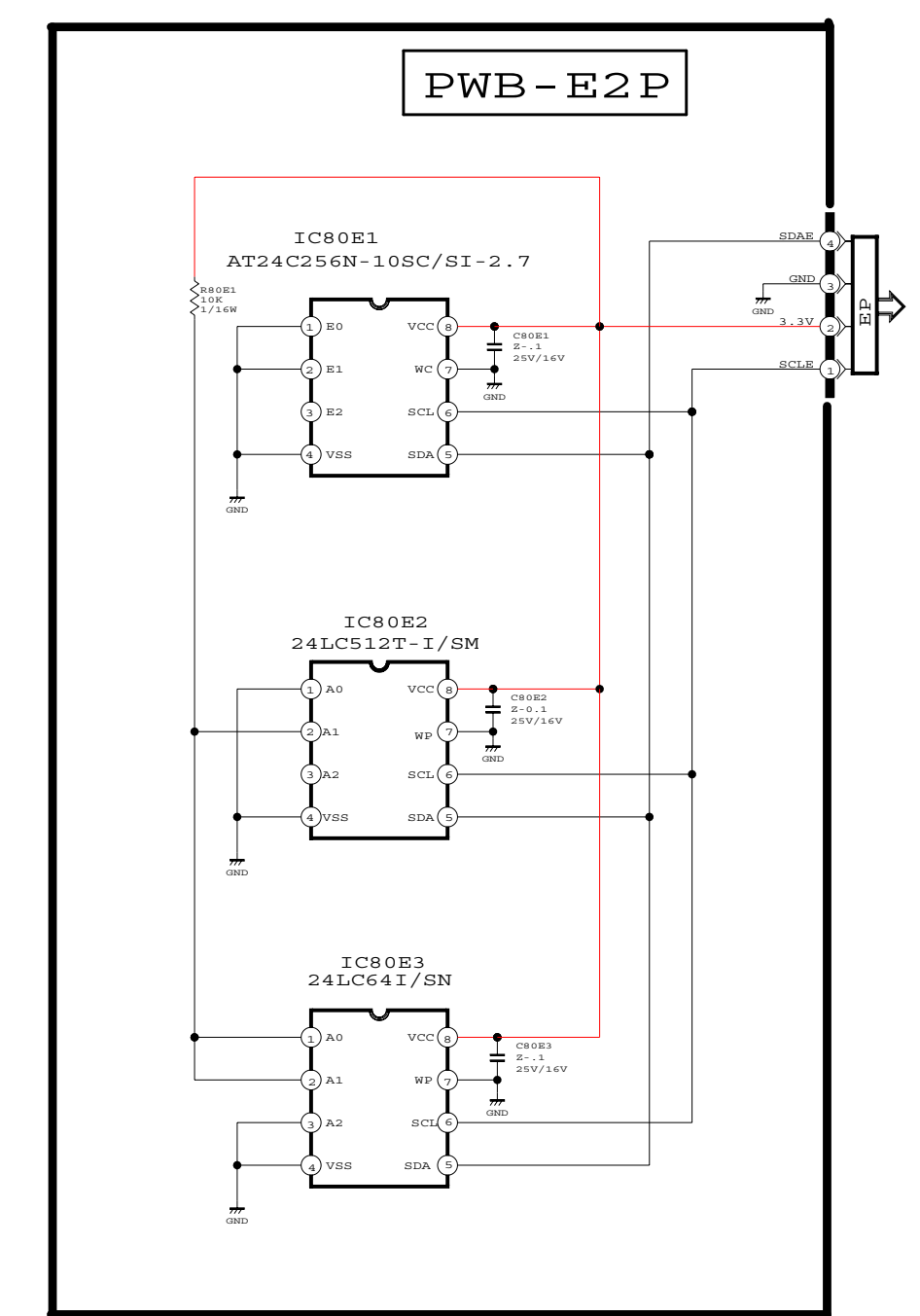
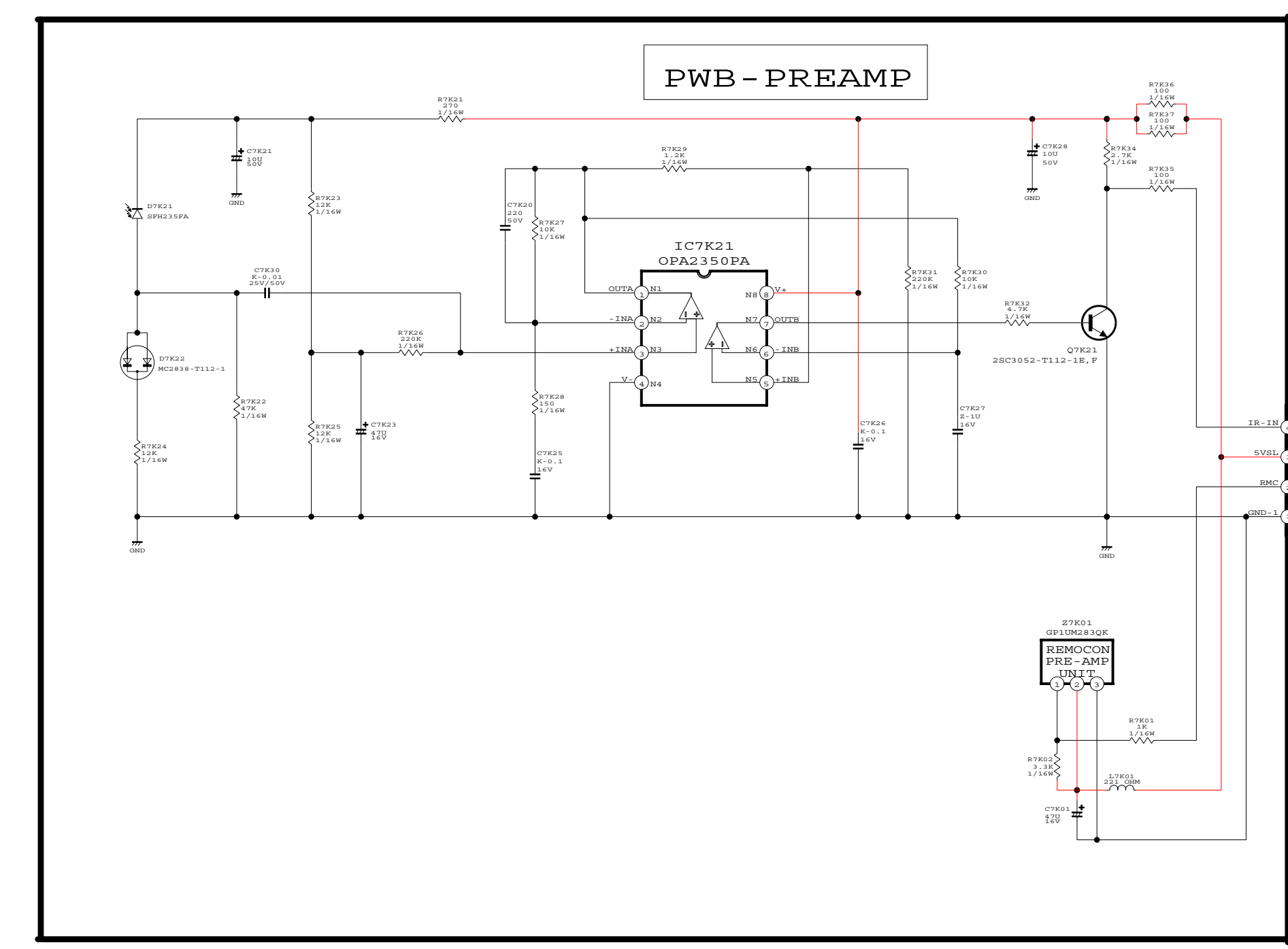
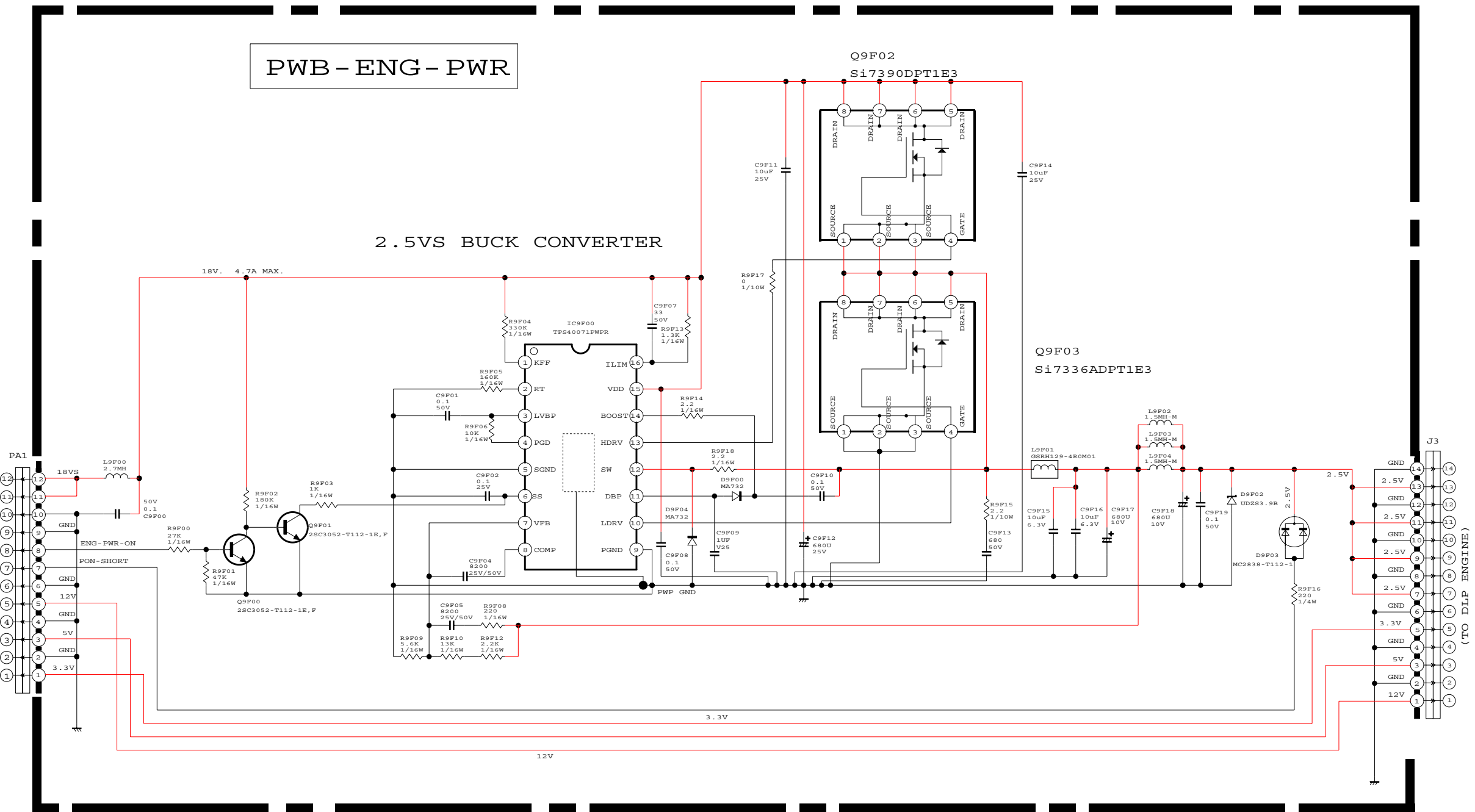
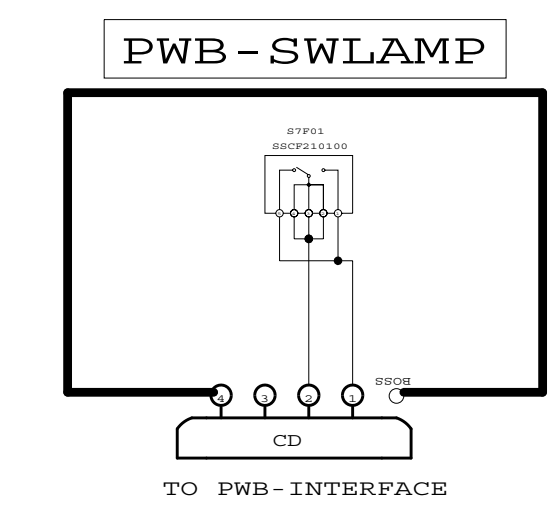
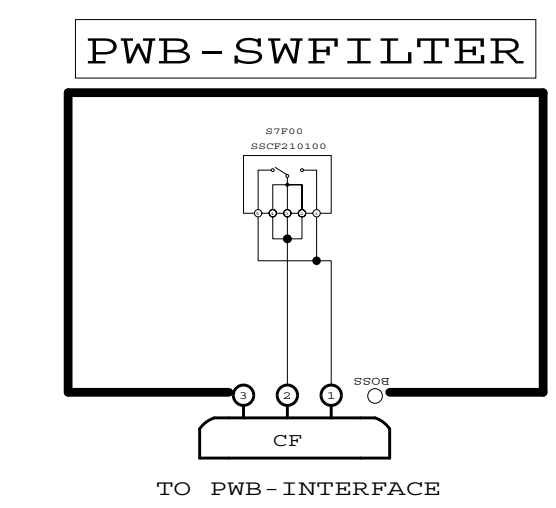
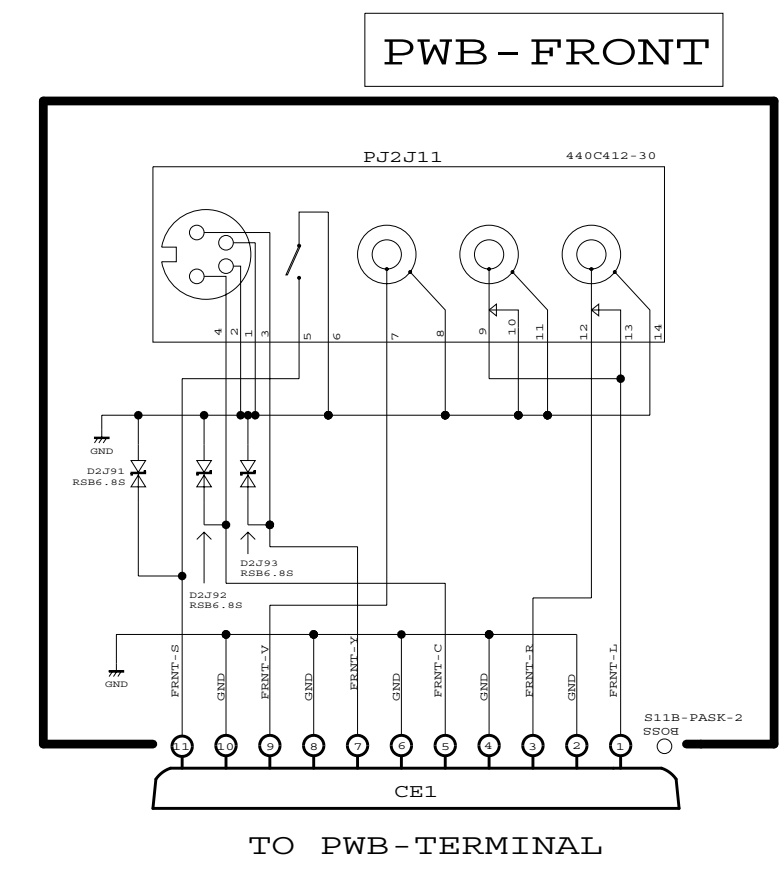
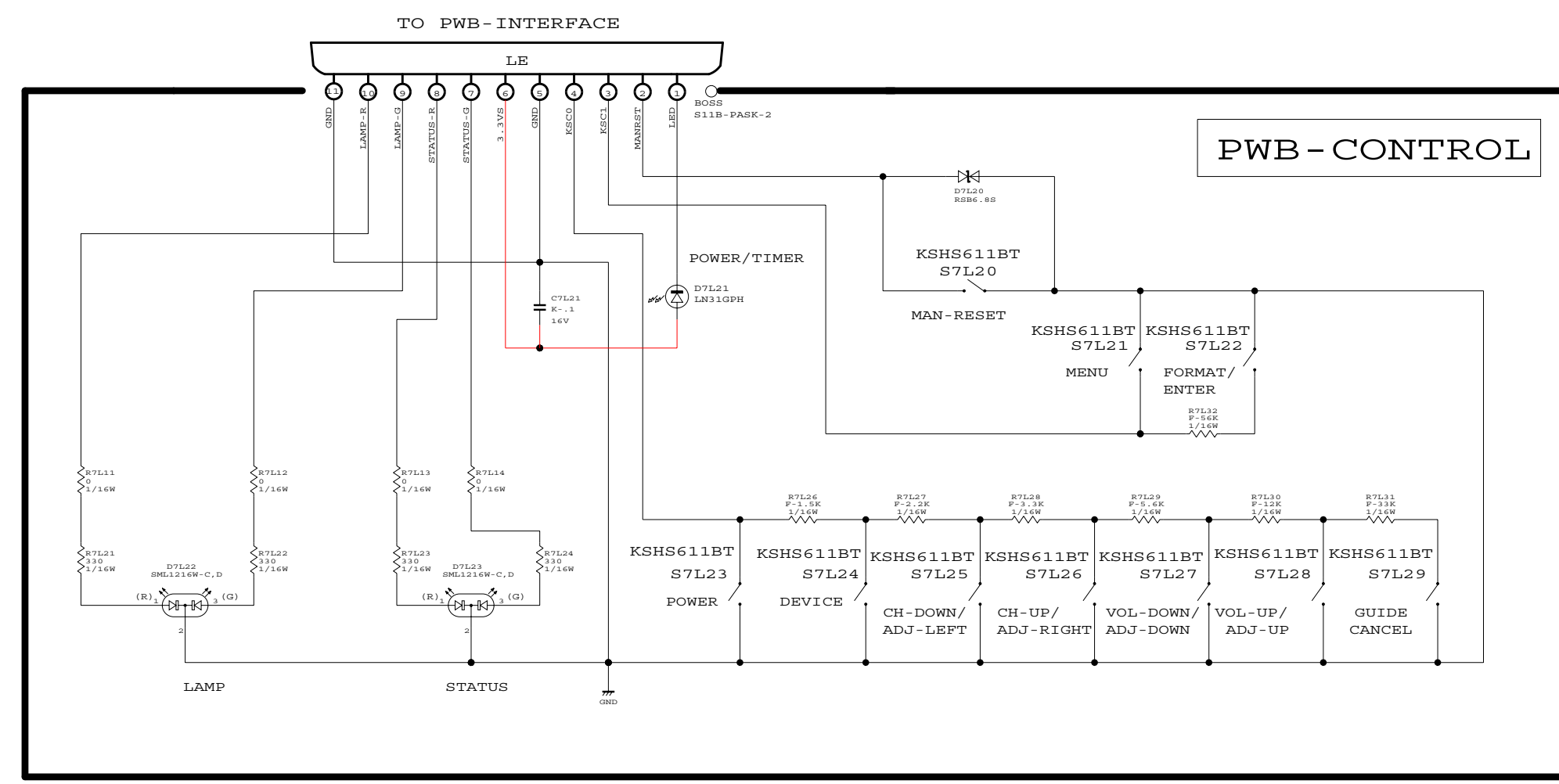
CONTENTS		
PG 1...	DM4 [DMMEMA/DC]	WD-52627 V29
PG 2...	DM5 [DMMEMB/USB]	WD-62627 V29
PG 3...	DM6 [DMROM/AV]	WD-52628 V30
PG 4...	DM7 [1394/DV I/F]	WD-62628 V30
PG 5...	DM8 [DMPOD]	WD-62827 V30
PG 6...	DM9 [MPFG ENCODER]	WD-62827 V30+
PG 7...	DM10 [DMADC]	WD-73827 V30+
PG 8...	DM11 [DMDDPM7]	WD-62927 V31
PG 9...	DM12 [DMDDPM7]	WD-73927 V31
PG 10...	DM13 [DMDDPM7]	
PG 11...	DM14 [DMDDPM7]	
PG 12...	DM15 [DMDDPM7]	
PG 13...	DM16 [DMDDPM7]	
PG 14...	DM17 [DMDDPM7]	
PG 15...	DM18 [DMDDPM7]	
PG 16...	DM19 [DMDDPM7]	
PG 17...	DM20 [DMDDPM7]	
PG 18...	DM21 [DMDDPM7]	
PG 19...	DM22 [DMDDPM7]	
PG 20...	DM23 [DMDDPM7]	
PG 21...	DM24 [DMDDPM7]	
PG 22...	DM25 [DMDDPM7]	
PG 23...	DM26 [DMDDPM7]	
PG 24...	DM27 [DMDDPM7]	
PG 25...	DM28 [DMDDPM7]	
PG 26...	DM29 [DMDDPM7]	
PG 27...	DM30 [DMDDPM7]	
PG 28...	DM31 [DMDDPM7]	
PG 29...	DM32 [DMDDPM7]	
PG 30...	DM33 [DMDDPM7]	
PG 31...	DM34 [DMDDPM7]	
PG 32...	DM35 [DMDDPM7]	
PG 33...	DM36 [DMDDPM7]	
PG 34...	DM37 [DMDDPM7]	
PG 35...	DM38 [DMDDPM7]	
PG 36...	DM39 [DMDDPM7]	
PG 37...	DM40 [DMDDPM7]	
PG 38...	DM41 [DMDDPM7]	
PG 39...	DM42 [DMDDPM7]	
PG 40...	DM43 [DMDDPM7]	
PG 41...	DM44 [DMDDPM7]	
PG 42...	DM45 [DMDDPM7]	
PG 43...	DM46 [DMDDPM7]	
PG 44...	DM47 [DMDDPM7]	
PG 45...	DM48 [DMDDPM7]	
PG 46...	DM49 [DMDDPM7]	
PG 47...	DM50 [DMDDPM7]	
PG 48...	DM51 [DMDDPM7]	
PG 49...	DM52 [DMDDPM7]	
PG 50...	DM53 [DMDDPM7]	
PG 51...	DM54 [DMDDPM7]	
PG 52...	DM55 [DMDDPM7]	
PG 53...	DM56 [DMDDPM7]	
PG 54...	DM57 [DMDDPM7]	
PG 55...	DM58 [DMDDPM7]	
PG 56...	DM59 [DMDDPM7]	
PG 57...	DM60 [DMDDPM7]	
PG 58...	DM61 [DMDDPM7]	
PG 59...	DM62 [DMDDPM7]	
PG 60...	DM63 [DMDDPM7]	
PG 61...	DM64 [DMDDPM7]	
PG 62...	DM65 [DMDDPM7]	
PG 63...	DM66 [DMDDPM7]	
PG 64...	DM67 [DMDDPM7]	
PG 65...	DM68 [DMDDPM7]	
PG 66...	DM69 [DMDDPM7]	
PG 67...	DM70 [DMDDPM7]	
PG 68...	DM71 [DMDDPM7]	
PG 69...	DM72 [DMDDPM7]	
PG 70...	DM73 [DMDDPM7]	
PG 71...	DM74 [DMDDPM7]	
PG 72...	DM75 [DMDDPM7]	
PG 73...	DM76 [DMDDPM7]	
PG 74...	DM77 [DMDDPM7]	
PG 75...	DM78 [DMDDPM7]	
PG 76...	DM79 [DMDDPM7]	
PG 77...	DM80 [DMDDPM7]	
PG 78...	DM81 [DMDDPM7]	
PG 79...	DM82 [DMDDPM7]	
PG 80...	DM83 [DMDDPM7]	
PG 81...	DM84 [DMDDPM7]	
PG 82...	DM85 [DMDDPM7]	
PG 83...	DM86 [DMDDPM7]	
PG 84...	DM87 [DMDDPM7]	
PG 85...	DM88 [DMDDPM7]	
PG 86...	DM89 [DMDDPM7]	
PG 87...	DM90 [DMDDPM7]	
PG 88...	DM91 [DMDDPM7]	
PG 89...	DM92 [DMDDPM7]	
PG 90...	DM93 [DMDDPM7]	
PG 91...	DM94 [DMDDPM7]	
PG 92...	DM95 [DMDDPM7]	
PG 93...	DM96 [DMDDPM7]	
PG 94...	DM97 [DMDDPM7]	
PG 95...	DM98 [DMDDPM7]	
PG 96...	DM99 [DMDDPM7]	
PG 97...	DM100 [DMDDPM7]	
PG 98...	DM101 [DMDDPM7]	
PG 99...	DM102 [DMDDPM7]	
PG 100...	DM103 [DMDDPM7]	

CHASSIS	R9J09	R9J10	R9J11	R9J13	R9J16	R9J41	R9J42	R9J47	R9J48	R9J49	R9J64	R9J66	R9J67	R9J68	R9J69	R9J70
V28			390	360	180	220	220	0	0	0	0	0	0	0	0	
V29	0	0	390	560	390			0	0	0	0			390	0	
V30, V30+, 31	0	0	390	560	390			0	0	0				390	0	



CONTENTS	
PG 1....BLOCK	WD-52627 V29
PG 2....POWER	WD-62627 V29
PG 3....INTERFACE	WD-52628 V30
PG 4....FMT [SUITE / DVI]	WD-62628 V30
PG 5....FMT [MICRO]	WD-73727 V30
PG 6....FMT [ADC / XGA]	WD-62827 V30+
PG 7....FMT [PRELUDE]	WD-73827 V30+
PG 8....MICRO1 [VID-SW]	WD-62927 V31
PG 9....MICRO2 [AUD-PIC]	WD-73927 V31
PG 10....MICRO3 [TV UP]	
PG 11....MICRO4 [HDMI]	
PG 12....DM1 [ATSC/NTSC TUNER]	
PG 13....DM2 [DMDDCDC]	
PG 14....DM3 [DMCORE]	
PG 15....DM4 [DMMEMA/DC]	
PG 16....DM5 [DMRMRP/USB]	
PG 17....DM6 [DMROM/AV]	
PG 18....DM7 [1394/DV I/F]	
PG 19....DM8 [DMPOD]	
PG 20....DM9 [MPEG ENCODER]	
PG 21....DM10 [DMADC]	
PG 22....DM11 [DMDFM7]	
PG 23....TERMINAL	
PG 24....DEM0D1	
PG 25....DEM0D2	
PG 26....RISER1	
PG 27....RISER2	
PG 28....R2P/FRONT/CONTROL/PREAMP ENGINE-POWER	





**CONTENTS**

PG 1...BLOCK	PG 15...DM4 [DMMEMA/DC]	WD-52627 V29
PG 2...POWER	PG 16...DM5 [DMMEMB/USB]	WD-62627 V29
PG 3...INTERFACE	PG 17...DM6 [DMROM/AV]	WD-52628 V30
PG 4...FMT1 [SUITE / DVI]	PG 18...DM7 [1394/DV I/F]	WD-62628 V30
PG 5...FMT2 [MICRO]	PG 19...DM8 [DMPD]	WD-73727 V30
PG 6...FMT3 [ADC / XGA]	PG 20...DM9 [MPFG ENCODER]	WD-73727 V30
PG 7...FMT4 [PRELUDE]	PG 21...DM10 [DMAD3]	WD-73727 V30
PG 8...MICRO1 [VID-SW]	PG 22...DM11 [DMDPW7]	WD-73827 V30+
PG 9...MICRO2 [AUD-PIC]	PG 23...TERMINAL	WD-73827 V30+
PG 10...MICRO3 [TV uP]	PG 24...DEM01	WD-62927 V31
PG 11...MICRO4 [HDMI]	PG 25...DEM02	WD-73927 V31
PG 12...DM1 [ATSC/NTSC TUNER]	PG 26...RISER1	
PG 13...DM2 [DMDDDC]	PG 27...RISER2	
PG 14...DM3 [DMCORE]	PG 28...E2P/FRONT/CONTROL/PREAMP ENGINE-POWER	PAGE 28